

# SHOWER RAIL

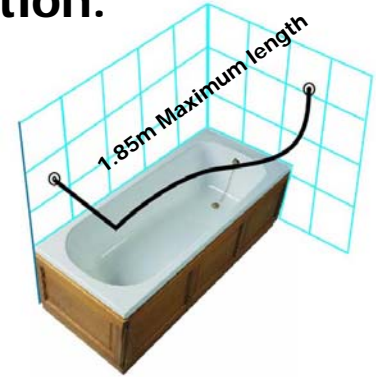
Available from  
www.byretech.com

## P Shape to Wall Shower Bath Rail Installation.

### Tools required to complete the installation.

- Electric Drill with **8mm** masonry drill bit 
- Suitable Hex Screwdriver 
- Masking tape to ensure tiles are not damaged when drilling 
- Suitable hacksaw 
- Spirit level to get rail level 
- Tape measure 

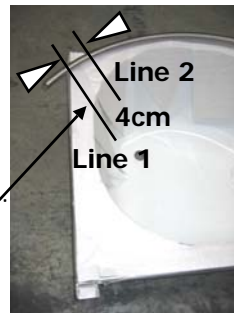
Suitable for  
Shower Bath or  
Regular Bath  
wall to wall  
installations  
not exceeding  
1.85m max



## Installation instructions

**Note.** This rail can be used for both **normal and P shaped shower baths**. Due to its design, the user will need to **mark and trim both ends of the rail** to get a perfect fit with their own bath. Please read the fitting instructions carefully.

- Measure the bath length (L1) and write it here.....cm
- Transfer this length to your rail and ensure when marked the rail follows the contour of your bath as best you can.
- Using a hacksaw, cut curved end of rail to length, taking care not to deform the tube, as the swivel joint will not fit if damaged.
- Once you have the rail cut to length and checked that it will fit OK, you will now need to reduce the length of the rail at the **curved end by 4cm (L2)** to allow for fitting the **swivel joint**.



- Push the swivel joint into the rail and then lay the rail on your bath so it follows the contours of the bath, with the swivel bracket just touching the wall. Take elbow joint and hold it at the corner of your bath. Mark the **"P Rail"** where the elbow will fit into the P Rail and cut to size. Now refit the elbow.

- With the **"P Rail"** still on the bath, take the 1m rail and mark / cut that to size also. Insert the **"non cut end"** of the 1m rail into the elbow joint. Check that you are happy with the fit when the complete rail is placed on the bath.

- **Note.** Wall brackets should be approximately 190cm from the inside of the bath to get the shower curtain to fit properly.

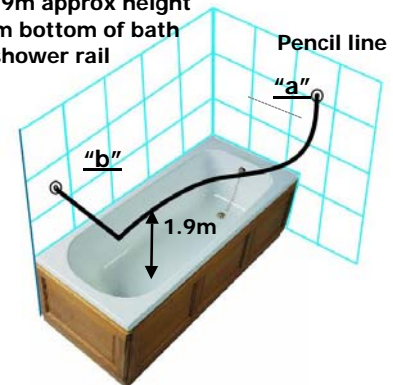
- Push the wall brackets on either end of the rail and offer the rail up to the wall to get the correct fixing points **"a"** and **"b"**. Once you are happy that the bracket **"b"** is flat to the wall (**important**) mark, drill and rawplug both brackets to the wall.

- Make **alignment marks** in pencil on swivel bracket, realign and glue the swivel bracket and elbow to the rails on a **flat surface**.

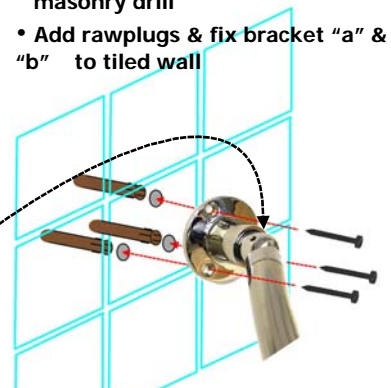
- Re assemble rail onto the wall, fix brackets then tighten the allen screws on both brackets and swivel joint with the allen key provided. Your P Shaped rail Installation is now completed.



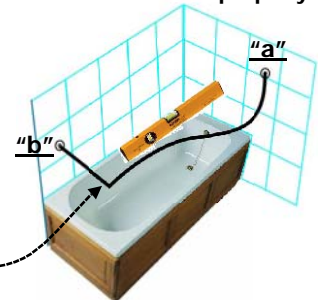
- 1.9m approx height from bottom of bath to shower rail



- Cut rail to size required - Check Fit
- Mark & drill holes using an 8mm masonry drill
- Add rawplugs & fix bracket **"a"** & **"b"** to tiled wall



- When happy with fit on bath, glue joints and fix to walls 190cm from base of inner bath to allow for Shower curtain to fit properly



**Byretech Ltd**  
The Bathroom Water Damage Prevention specialists

Byretech Ltd  
Unit 49 Padgets Lane, South Moons Moat,  
Redditch, Worcestershire B98 0RD UK.  
Phone: +44 (0) 1527 522 522 Fax: +44 (0) 1527 522 111  
E-mail: info@byretech.com Web: www.byretech.com

**plumbworld**  
**Big brands, small prices.**

Pdf Supplied By <http://www.plumbworld.co.uk/>