

# SHOWER RAIL

Available from  
[www.byretech.com](http://www.byretech.com)

## P Shape Shower Bath Rail Installation.

### Tools required to complete the installation.

- Electric Drill with **8mm** masonry drill bit 
- Suitable Hex Screwdriver 
- Masking tape to ensure tiles are not damaged when drilling 
- Suitable hacksaw 
- Spirit level to get rail level 
- Tape measure 

Suitable for  
Shower Bath or  
Regular Bath  
wall to  
wall installations  
with a gap  
not exceeding  
1.85m max



## Installation instructions

**Note.** This rail can be used for both **normal and P shaped shower baths**. Due to its design, the user will need to **mark and trim both ends of the rail** to get a perfect fit with their own bath. Please read the fitting instructions carefully.

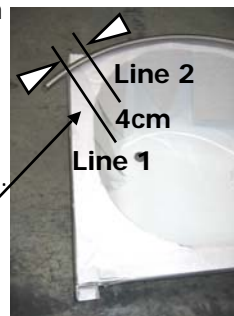
**Note.** the rail is oversized, so you will need to cut some tube from each end.

- Measure the wall to wall length (L1) and write it here.....cm

Transfer this length to your rail and ensure when marked the rail follows the contour of your bath as best you can.

Using a hacksaw, cut rail to length, taking care not to deform the tube as the swivel joint will not fit properly if the tube is oval.

- Once you have the rail cut to length and checked that it will just fit, you will now need to reduce the length of the rail at the **curved end by 4cm(L2)** to allow for fitting the **swivel joint**.



- Measure up from the **inside base of the bath approximately 190 cm** and make a horizontal pencil line where you would like bracket **"a"** to be positioned. This should be approx **10cm** in from the edge of the bath or in-line with the lip.

**(This is so the rail and curtain fit perfectly as shower curtains are normally 180cm drop from shower rail)**

- Fix masking tape to the area where you will fix bracket **"a"** and carefully mark, drill and fix the bracket with the screws and rawplugs supplied.

- Insert **"swivel joint"** into curved end of rod and push wall bracket **"b"** onto the opposite end of rail.

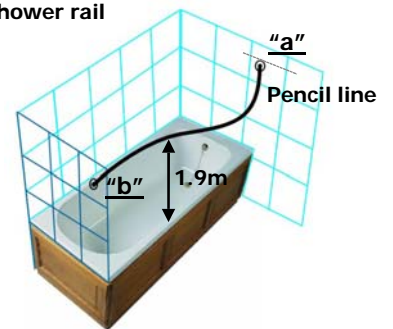
- Now push the **"swivel joint"** into wall bracket **"a"** to see where your next bracket will need to be mounted on the opposite wall **"b"**. Make sure bracket **"b"** is sitting flat to the wall and is level with bracket **"a"**. Mark, drill and rawplug. With rail in situ mark rail and swivel bracket with an alignment mark. Remove rail from wall and add glue as per picture - re assemble and align marks. Allow to dry.



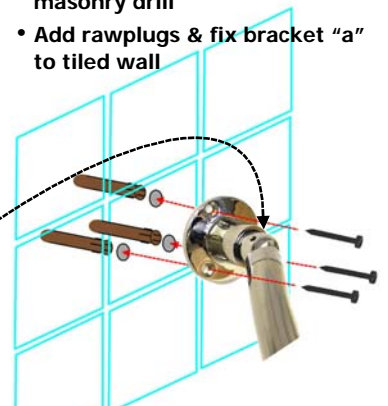
- Slide bracket **"b"** onto the rail and offer the rail up to the wall and push **"swivel joint"** into wall bracket **"a"**. fix bracket **"b"** into position.

- Tighten the allen screws on both brackets and swivel with the allen key provided.

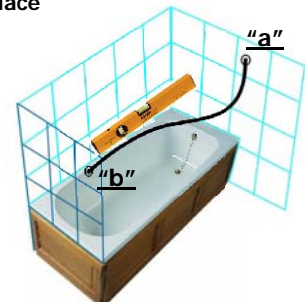
- 1.9m approx height from bottom of bath to shower rail



- Tape up area with masking tape
- Mark & drill holes using an 8mm masonry drill
- Add rawplugs & fix bracket **"a"** to tiled wall



- Ensure rod is level and straight
- Mark new bracket and repeat above procedure then fix rail in place



**Byretech Ltd**  
The Bathroom Water Damage Prevention specialists

Byretech Ltd  
Unit 49 Padgets Lane, South Moons Moat,  
Redditch, Worcestershire B98 0RD UK.  
Phone: +44 (0) 1527 522 522 Fax: +44 (0) 1527 522 111  
E-mail: [info@byretech.com](mailto:info@byretech.com) Web: [www.byretech.com](http://www.byretech.com)

**plumbworld**  
**Big brands, small prices.**

Pdf Supplied By <http://www.plumbworld.co.uk/>