

RET Electronic Room Thermostat

Features

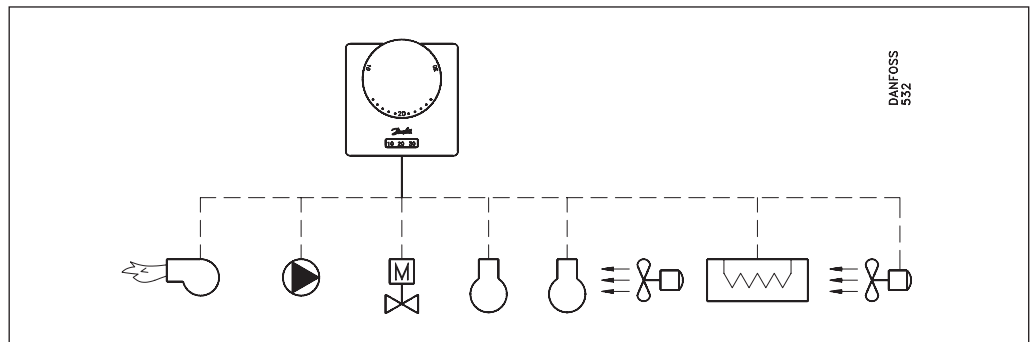


The RET 230 is a range of electronic room thermostats offering improved thermal performance and status indication compared to that of electro-mechanical equivalents. For ease of mounting, RET is based upon a wallplate construction which is fitted and wired before the thermostat is mounted. Additional features available in the RET range include:

- Electronic accelerator heater
- LED status indication
- Night set-back option
- Voltage free outputs

Please refer to table below for details.

Application



Ordering Codes and Data

| Type | Code No | Electronic Accelerator | Night Set-Back | LED Status Indicators | | Comment |
|-----------|------------|------------------------|----------------|-----------------------|------------------|---|
| | | | | Power On (1) | Stat Calling (2) | |
| RET230 | 087N700400 | • | | | • | |
| RET230L | 087N700600 | • | | • | • | |
| RET230VF2 | 087N700801 | • | | | • | Volt free contacts |
| RET230NSB | 087N701000 | • | • | • (3) | • | Night set-back achieved using external time control |
| RET230F | 087N701200 | No | | | | Frost thermostat |
| RET230F5 | 087N701300 | No | | | | Frost thermostat, fixed 5°C |

(1) 'Power On' indicator is lit when power is applied to thermostat.

(2) 'Calling' indicator is lit when thermostat relay is closed and calling for heat.

(3) In Night Set-Back version, 'Power On' LED changes colour during night set-back period.

| Specifications | RET230F5 | RET230F | RET230/RET230L | RET230VF2/RET230NSB |
|--|--------------|--------------|----------------|---------------------|
| Switching Differential | <1K | <1K | <1K | <1K |
| Temperature Range | 5°C fixed | 5-10°C | 5-30°C | 5-30°C |
| Operating Voltage | 220/240Vac | 220/240Vac | 220/240Vac | 220/240Vac |
| Sw. Type (common linked internally) | SPST | SPST | SPDT | - |
| Sw. Type (voltage free contacts) | - | - | - | SPDT |
| Contact Current Rating | 3 (1) A | 3 (1) A | 3 (1) A | 3 (1) A |
| Locking and Limiting Feature | Yes | Yes | Yes | Yes |
| Dimensions (mm) - height x width x depth | 86 x 85 x 42 | 86 x 85 x 42 | 86 x 85 x 42 | 86 x 85 x 42 |

ErP Class



ERP Class

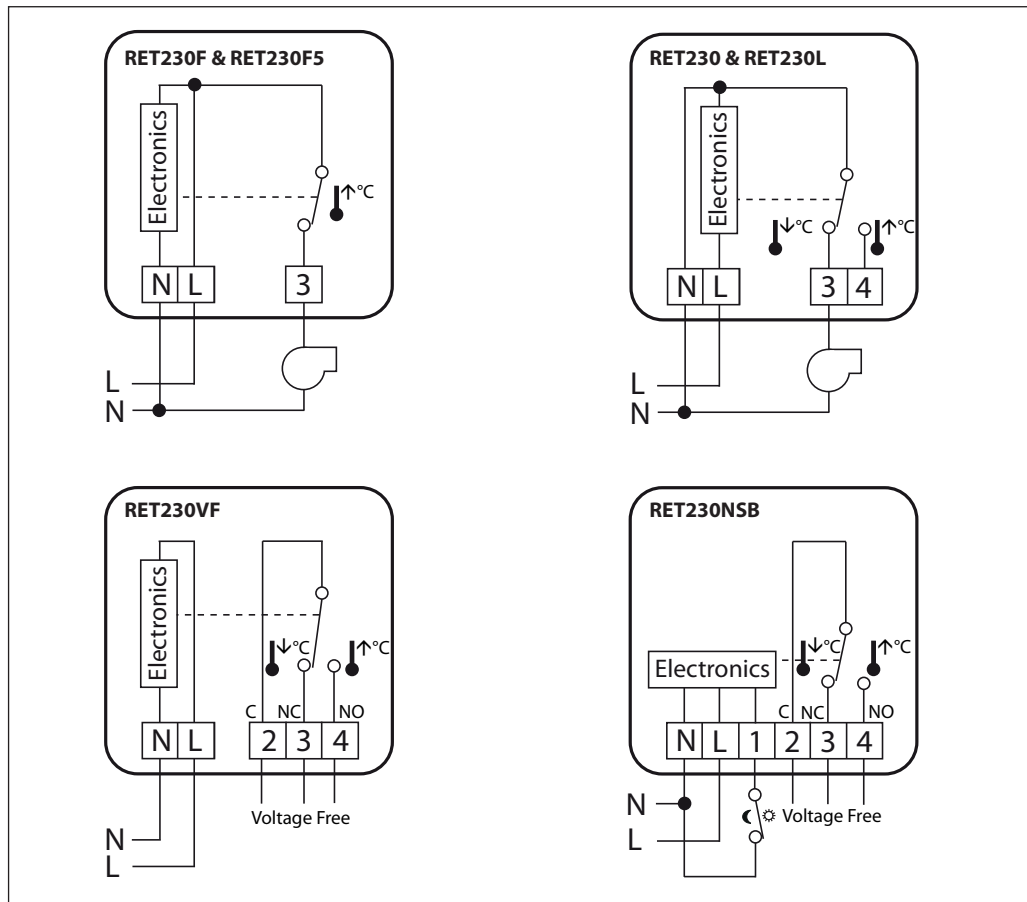
The products represented within this document are classified according to, and allow completion of, the Energy Related Product (ErP) Directive System Package fiche and the ErP system data label. ErP Labelling obligation is applicable from 26th September 2015.

| ErP Class | Product Function and ErP Description | Additional efficiency gain |
|-----------|--|----------------------------|
| I | On/Off Room Thermostat A room thermostat that controls the on/off operation of a heater. | 1% |

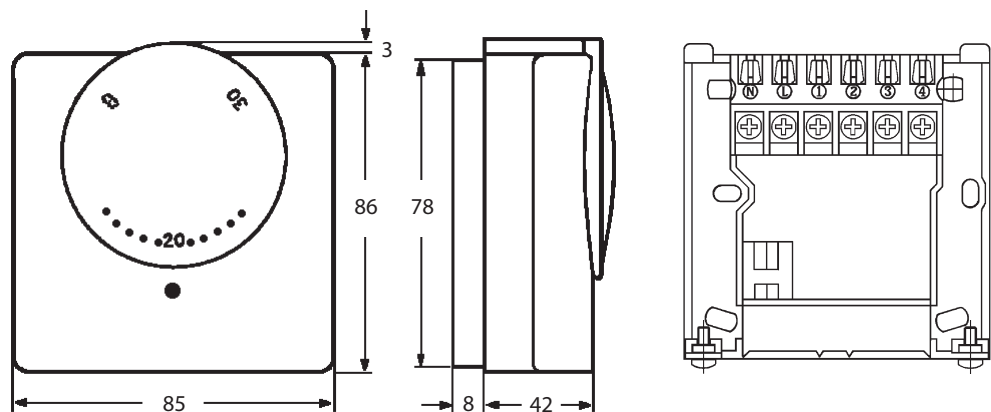
Datasheet

RET Electronic Room Thermostat

Electrical Connection



Dimensions



Danfoss Ltd.
 Ampthill Road
 Bedford MK42 9ER
 Tel: 01234 364621
 Fax: 01234 219705
 Email: ukheating@danfoss.com
 Website: www.heating.danfoss.co.uk

Danfoss can accept no responsibility for possible errors in catalogues, brochures, and other printed material. Danfoss reserves the right to alter its products without notice. This also applies to products already on order provided that such alterations can be made without subsequent changes being necessary in specifications already agreed. All trademarks in this material are property of the respective companies. Danfoss and the Danfoss logotype are trademarks of Danfoss A/S. All rights reserved.