

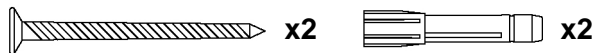
Thank you for purchasing this Croydex product. Please follow the fixing and care instructions to ensure that your bathroom product is fitted safely and that it retains its high quality finish. **Please retain this leaflet for future reference.**

This instruction leaflet applies to the following product codes:

WA681176 KINGSTON OAK TOILET ROLL HOLDER
WA681576 KINGSTON OAK SMALL TOWEL RAIL
WA682676 KINGSTON TOWEL RAIL
WA682376 KINGSTON SHELF AND TUMBLER
WA681976 KINGSTON SOAP DISH AND HOLDER
WA681876 KINGSTON TUMBLER AND HOLDER

Fixing Pack Contents and Wall Bracket

Fixing screws x 2
Wall plugs x 2
Fixing template x 1



NOTE: Wall plugs supplied are suitable for a solid wall fixing only. If attaching the product to a non solid wall i.e plasterboard, you must obtain suitable wall plugs from your local DIY store.

Tools Required

Drill; 6mm masonry drill bit (6mm ceramic drill bit optional); Cross head screwdriver; Pencil; Spirit level; Tape measure.

KEEP DIY TOOLS OUT OF THE REACH OF CHILDREN

Home Safety Advice

Always take care when using an electric drill, particularly in the bathroom. Always check for hidden cables and pipework before drilling and take extreme care if there is any water in the working area.

It is advisable to use a residual current circuit breaker (RCCB).

Always wear suitable eye protection when drilling.

If the product is to be fitted on a ceramic tiled wall, a ceramic drill bit should be used. Always ensure that the drill hole passes through the central tiled area rather than through the grouted area. To prevent unnecessary damage to the tile, mask the area around the hole with tape before drilling.

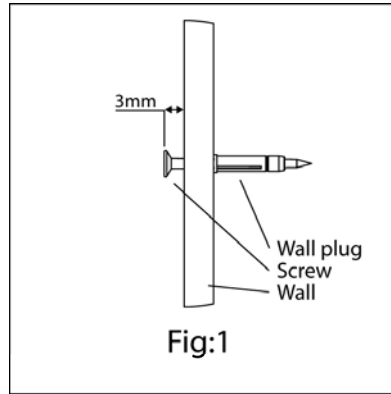
Do not strike the product with hard or sharp objects.

Do not overload the shelf (WA682376 KINGSTON SHELF AND TUMBLER). Maximum safe working load is 2.5kg evenly distributed if mounted on to a solid wall. If mounted on to a non solid wall i.e plasterboard reduce the load to 2kg evenly distributed.

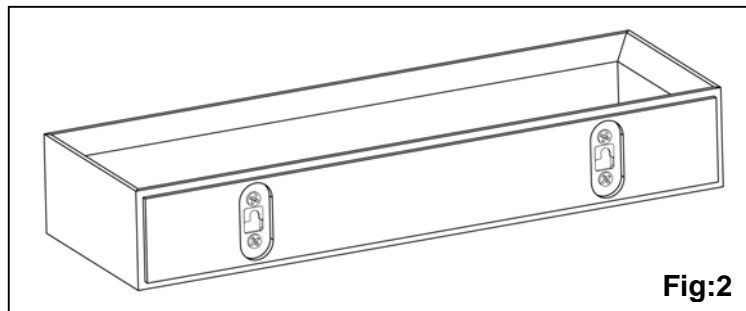
Accessories Fitting Instructions

1. Select position of product and mark centre of mounting holes on wall - using the template supplied. It is important to ensure that the hole centres are horizontal. Use a spirit level to check the hole alignment. Check measurement against product before drilling.

- Using a 6mm masonry drill, drill the holes in marked positions to a depth of 50mm. If drilling through tiles, please pre-drill using a ceramic drill bit.
- Insert the wall plugs to the surface of the wall. If fitting to a tiled surface, the wall plugs should be inserted below the surface of the tile to avoid cracking.
- Screw the screws into the wall plugs leaving the screw heads protruding by approximately 3mm (see Fig 1).



- Align the keyhole fixings on the rear of the product (see Fig 2) with the protruding screws and push down firmly to ensure the product locates tightly against the wall. If adjustment is required remove the product and either loosen or tighten the screws until the product is held firmly in place.



Product Care

To retain the best quality finish, clean product regularly with a soft cloth and mild detergents. Do not use abrasive or chemical cleaners as these will damage the product.

Do not place hot objects onto the surface of the shelf.

This product is made from solid timber and veneers and it is natural for small splits and variations in the grain to occur.

For details of the other items in the Croydex range please visit our website: www.croydex.co.uk

Croydex Limited, Central Way, Andover, Hants, SP10 5AW, UK
Tel: +44 (0) 1264 365881. Fax: +44 (0) 1264 356437
Website: www.croydex.co.uk. E-mail: info@croydex.co.uk

plumbworld
Big brands, small prices.

Pdf Supplied By <http://www.plumbworld.co.uk/>