



Thank you for purchasing this Croydex product. Please follow the fixing and care instructions to ensure that your Rivers cabinet is fitted safely and that it retains its high quality finish. **Please retain this leaflet for future reference.**

**This instruction leaflet applies to the following products:**

WC1461 22E THAMES CABINET  
WC1456 22E SEINE CABINET  
WC1560 22E (White) WC1560 40E (Silver) LOIRE CABINET  
WC1561 22E (White) WC1561 40E (Silver) ARNO CABINET  
WC1556 22E (White) WC1556 40E (Silver) DANUBE CABINET

## **IMPORTANT INSTALLATION INFORMATION**



**THIS IS A CLASS 2 APPLIANCE AND MUST NOT BE CONNECTED TO EARTH**

**INPUT: 220-240V ac 5A IP RATING: IP24**



**HAZARDOUS VOLTAGES INSIDE – DO NOT OPEN SEALED UNITS**



**LAMP TYPE 12V G4 HALOGEN 20W (10W for cabinet DANUBE and LOIRE). MAXIMUM TOTAL 40W. (MAXIMUM TOTAL 30W for cabinet DANUBE and LOIRE).**

**In accordance with Statutory Instrument 2004 No. 3210 - The Building (Amendment) (No.3) Regulations 2004, any work, other than repair/replacements, in a room where there is water (e.g. kitchen, bathroom, etc.) must be either:**

- **carried out by an electrician who is a member of a competent person self-certification scheme who will certify the work complies with the Building Regulations and you do not need to notify your local authority, or,**
- **carried out after prior notification to the Local Authority Building Control Department, which has responsibility for ensuring that the work is inspected and tested.**

## **IMPORTANT WARRANTY INFORMATION**

**In accordance with Statutory Instrument 2004 No. 3210 - The Building (Amendment) (No.3) Regulations 2004, the installer must give the occupier of the premises in which this product has been installed a certificate to confirm that the requirements of regulations 4 and 7 have been satisfied, or the installation of this product must be inspected and tested by the Local Authority Building Control Department who will issue a compliance certificate.**

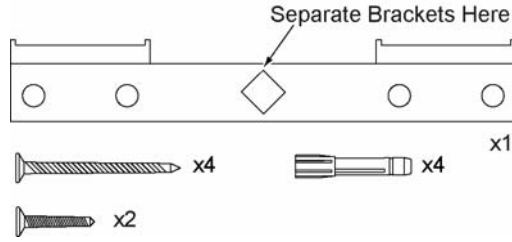
**A copy of this certificate may be required for certain warranty claims. Failure to provide a copy of the certificate may invalidate the warranty.**

**This does not affect your statutory rights.**

We recommend that you make yourself aware of the Regulations before you undertake any work and if you require clarification you should contact your Local Authority Building Control Department.

### Fixing Pack Contents

- 1 x Joined Wall Bracket
- 4 x Fixing Screws
- 4 x Wall Plugs
- 2 x Light Fixing Screws (Loire cabinet only)



### Tools Required

Drill; 8mm Masonry Drill Bit; 8mm Ceramic Drill Bit (optional); Cross Head Screwdriver; Hacksaw; Bradawl; Pencil.

### KEEP DIY TOOLS OUT OF THE REACH OF CHILDREN

### Home Safety Advice

It is recommended that two people fit the cabinet to ensure that it is fitted safely.

Always take care when using an electric drill, particularly in the bathroom. Always check for hidden cables and pipe work before drilling and take extreme care if there is any water in the working area.

It is advisable to use a residual current circuit breaker (RCCB).

Always wear suitable eye protection when drilling.

If the product is to be fitted on a ceramic tiled wall, a ceramic drill bit should be used. Always ensure that the drill hole passes through the central tiled area rather than through the grouted area. To prevent unnecessary damage to the tile, mask the area around the hole with tape before drilling.

Do not strike the product with hard or sharp objects.

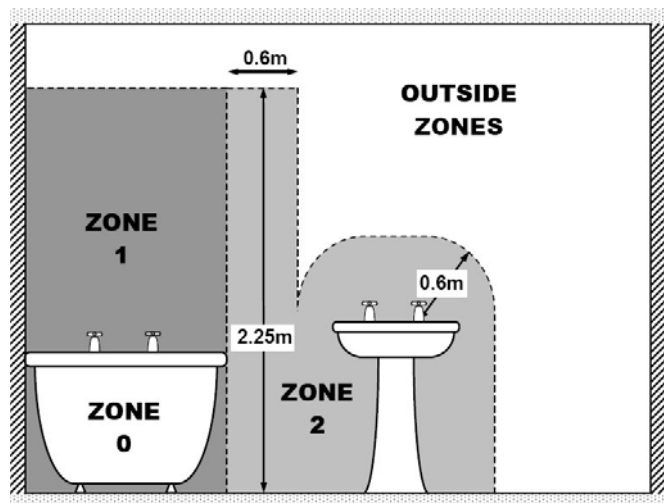
Do not overload the cabinet. Maximum safe working load is 15kg evenly distributed if mounted on to a solid wall. If mounted on to a cavity wall reduce the load to 10kg evenly distributed.

### Fixing Instructions

#### Positioning the Cabinet

1. This cabinet is rated IP24 and must only be installed in the Outside Zones, as shown in Figure 1.
2. Ensure that the access to the bathroom electrical supply is located behind the intended mounting position for the cabinet.

Fig 1



## Hanging the Cabinet

1. If you have purchased the Loire cabinet (WC156022E/WC156040E) the first thing that you will need to do is fit the light to the top of the cabinet using the shorter screws supplied.
2. Hold the cabinet up to the wall in its desired location and make a mark where the top two corners of the carcass meet the wall (see Fig 2). Use a spirit level to make sure that the cabinet is level when doing this.
3. Take the joined wall bracket and either snap or hacksaw it in half where the diamond cut-out is located.
4. From the two points that you have just made on the wall measure down 35mm and in 25mm to find the positions of the wall brackets (see Fig 2).

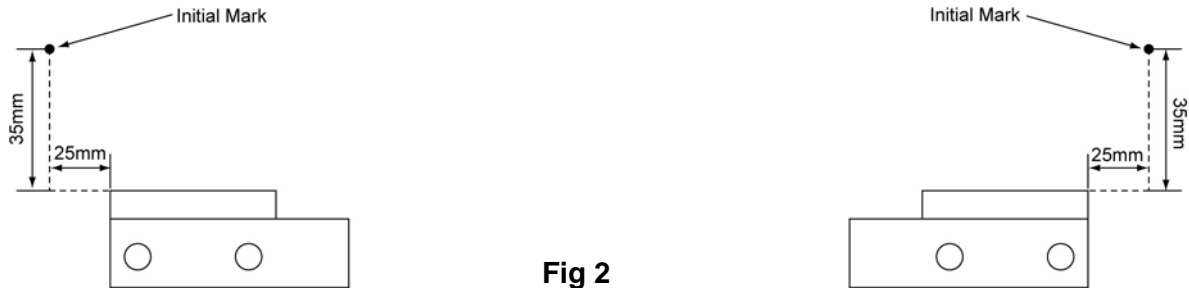


Fig 2

5. Mark screw positions through the holes in the wall bracket and using a 8mm masonry drill, drill the holes in the marked positions to a depth of 50mm. If drilling through tiles, please pre-drill using a ceramic drill bit. Insert the wall plugs to the surface of the wall. If fitting to a tiled surface, the wall plugs should be inserted below the surface of the tile to avoid cracking.
6. Insert the screws through the wall brackets and screw into the wall plugs.
7. **Ensure that the domestic electrical mains supply to which the cabinet is to be connected is turned off.** Connect the flexible mains supply cable on the back of the cabinet to the domestic electrical mains supply ensuring that the Live (Brown) conductor is connected to the Live on the domestic electrical mains supply and the Neutral (Blue) conductor is connected to the Neutral on the domestic electrical mains supply. **Note: Connection of the product to the domestic electrical mains supply must only be carried out by a Building Regulations Part P certified electrician or must be checked by your Local Authority Building Control Department.**
8. Hang the cabinet on the wall brackets and centre horizontally. **Check that the cabinet is secure and no electrical cables are trapped or visible.**
9. If the cabinet is not level or sitting flush against the wall, adjustment can be made to the cabinet's interior hanging mechanisms, which are situated at the top corners inside the cabinet (see Fig 3). Adjustment of screw 'A' will move the cabinet into or away from the wall and adjustment of screw 'B' will enable horizontal levelling of the cabinet.

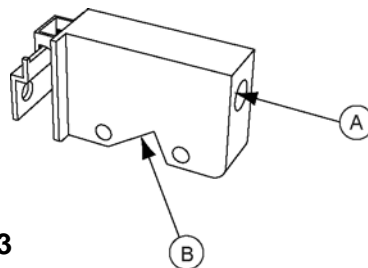


Fig 3

10. Once the cabinet is secure against the wall turn the domestic electrical mains supply back on.

## Operating Instructions

### Cabinet Lights

To turn the cabinet lights on or off, use the pull switch positioned on the shaver console inside the cabinet.

#### **Lamp replacement for the following cabinets:**

**WC146122E (Thames); WC145622E (Seine); WC156122E/WC156140E (Arno); WC155622E/WC155640E (Danube)**

**CAUTION: The surface of the lamp may become extremely hot. Allow at least 30 minutes after lamp failure before attempting to replace the lamp.**

1. Ensure that the cabinet light switch is turned off.
2. With the cabinet doors open, use a small thin flat-headed screwdriver, or similar implement, to carefully remove the shade retaining ring (see Figure 4).
3. Carefully remove the lens that the retaining ring was holding in place to reveal the faulty bulb (see Figure 5).
4. Remove the faulty bulb and insert the pins on the replacement G4 halogen lamp into the holes in the lampholder. **Avoid touching the glass surface of the lamp with bare skin as this may reduce the life of the bulb. Only use 12V 20W (10W for DANUBE Cabinet) G4 Halogen bulbs.**
5. Carefully replace the glass lens and its retaining ring back onto the lamp holder in order to complete the lamp replacement process. **Avoid using excessive force as this may damage the lens or cause injury.**

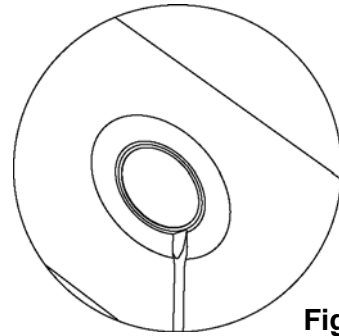


Fig 4

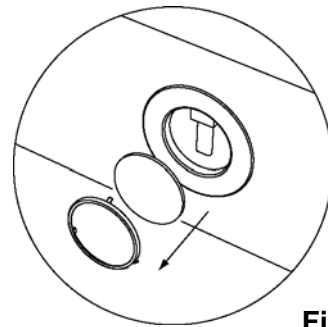


Fig 5

#### **Lamp replacement for WC156022E/WC156040E (Loire) Cabinet:**

**CAUTION: The surface of the lamp may become extremely hot. Allow at least 30 minutes after lamp failure before attempting to replace the lamp.**

6. Ensure that the cabinet light switch is turned off.
7. Carefully pull the glass shade off the light unit to reveal the concealed bulb (see Figure 5).

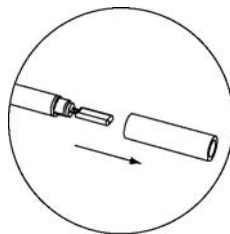


Fig 5

8. Remove the faulty bulb and insert the pins on the replacement G4 halogen lamp into the holes in the lamp holder. **Avoid touching the glass surface of the lamp with bare skin as this may reduce the life of the bulb. Only use 12V 10W G4 Halogen bulbs.**
9. Carefully replace the glass shade onto the main body of the light.

## **Product Care**

To retain the best quality finish, clean product regularly with a soft cloth and mild detergents. Do not use abrasive or chemical cleaners, as these will damage the product.

Do not place hot objects onto the surface of the wooden shelves.

Do not position glass components in close contact with a heat source.



### **This product complies with the requirements of**

- European Parliament/Council Directive 73/23/EC the Low Voltage Directive amended by European Parliament/Council Directive 93/68/EEC.
- European Parliament/Council Directive 89/336/EEC on electromagnetic compatibility (EMC Directive) amended by 91/263/EEC, 92/31/EEC and 93/68/EEC.

### **Applicable Standards with amendments:**

- BS EN 55-015
- BS EN 61547
- BS EN 60355-1

Croydex Limited, Central Way, Andover, Hants, SP10 5AW, UK.

CAB 016 R03