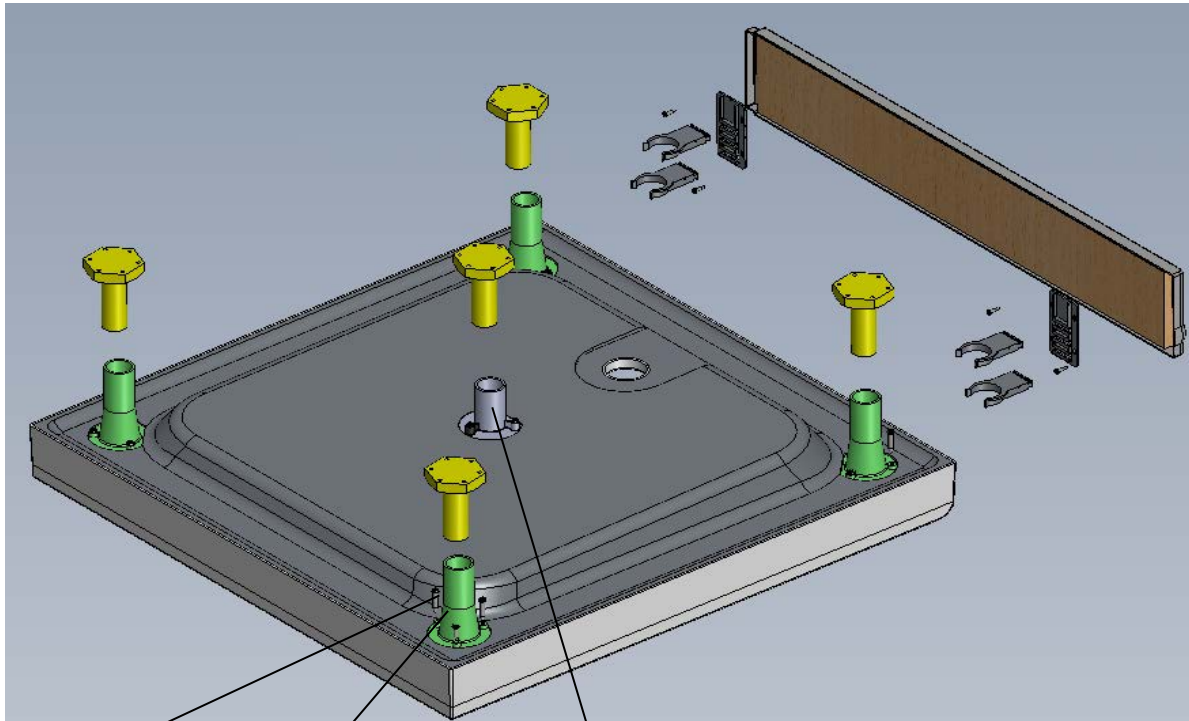


<b>PRODUCTS</b>	<b>SCREWPACKS</b>	<b>INSTRUCTION LEAFLETS</b>	<b>PANEL PART NUMBER</b>
<b><u>SQUARE TRAYS</u></b>			
YD763 (760)	80273	71331	30032 x 1
YD764 (760)	80272	71331	30032 x 2
YD803 (800)	80273	71331	30033 x 1
YD804 (800)	80272	71331	30033 x 2
YD903 (900)	80273	71331	30034 x 1
YD904 (900)	80272	71331	30034 x 2
<b><u>RECTANGULAR TRAYS</u></b>			
YD973 (900x760)	80273	71331	30034 x 1
YD974 (900x760)	80272	71331	30032 + 30034
YD183 (1000x800)	80275	71332	30047 x 1
YD184 (1000x800)	80274	71332	30048 + 30033
YD123 (1200x760)	80275	71332	30035 x 1
YD124 (1200x760)	80274	71332	30035 + 30032
YD1283 (1200x800)	80275	71332	30035 x 1
YD1284 (1200x800)	80274	71332	30035 + 30033
<b><u>QUADRANT TRAYS</u></b>			
YDQ80 (800)	80273	71333	30042 x 1
YDQ90 (900)	80273	71333	30043 x 1
YDQ12L/R (1200)	80419	71333	30041 x 1
<b><u>PENTAGON TRAYS</u></b>			
YDP90 (900)	80426	71334	30044 x 1
<b><u>WALK-IN TRAY</u></b>			
YDW15 (1500)	80309	71043	30046 x 1

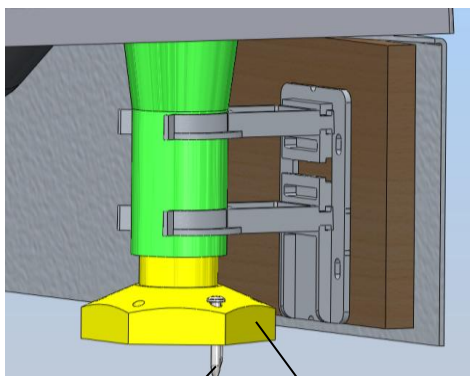
**NOTE:- QUANTITIES OF FEET MAY VARY DEPENDING ON STYLE AND SIZE OF TRAY**



LEG FIXING SCREW  
(FACTORY FITTED)  
60140

OUTER LEG  
(FACTORY FITTED)  
50195

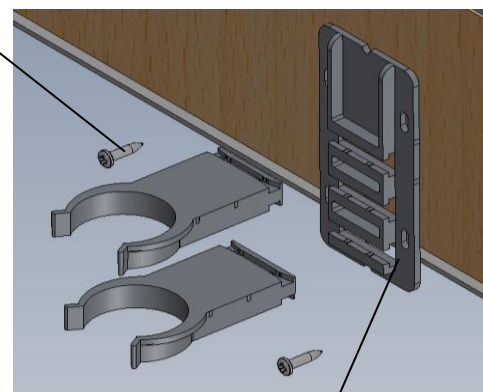
INNER LEG  
(FACTORY FITTED)  
50194



FLOOR FIXING SCREW  
60139

FOOT  
(INSTALLER FITTED)  
50193

PANEL SCREW  
60138



PANEL BRACKET  
(INSTALLER FITTED)  
50237

\* = COLOUR SPECIFIC PART

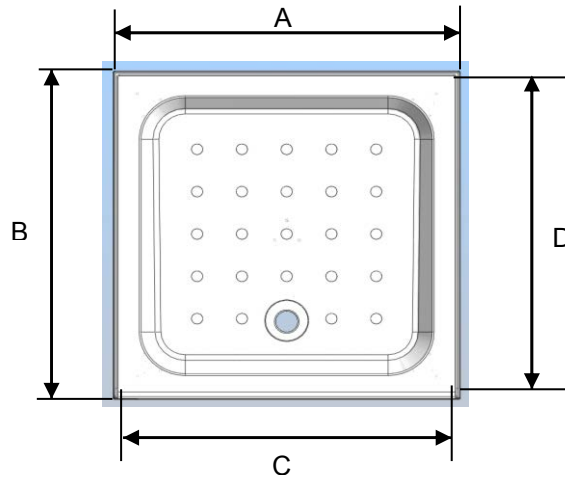


OPELLA TRAP  
PRODUCT CODE  
ZB36315DB

ALL DIMENSIONS ±2mm

**SQUARE TRAYS**

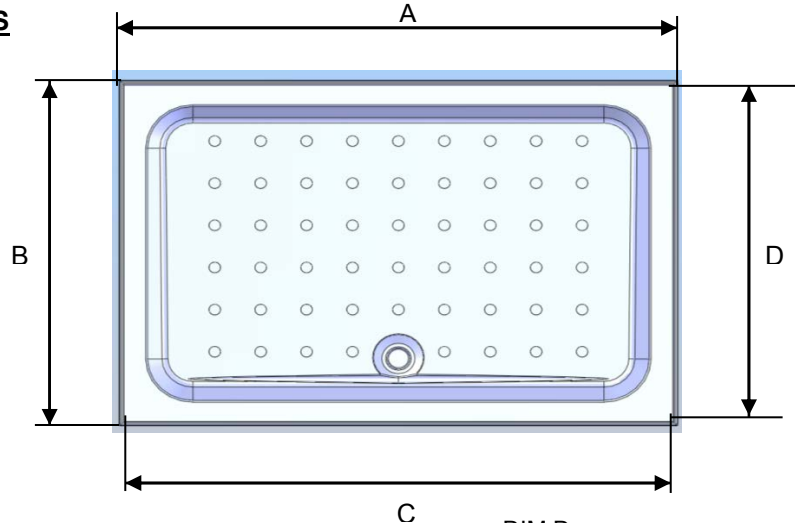
**3 UPSTAND**



TRAY SIZES	DIM A OVERALL	DIM B OVERALL	DIM C B/TWEEN UPSTAND	DIM D B/TWEEN UPSTAND/ W/GUARD
760x760	<b>778</b>	<b>778</b>	<b>760</b>	<b>754</b>
800x800	<b>818</b>	<b>818</b>	<b>800</b>	<b>794</b>
900x900	<b>918</b>	<b>918</b>	<b>900</b>	<b>894</b>

**RECTANGULAR TRAYS**

**3 UPSTAND**

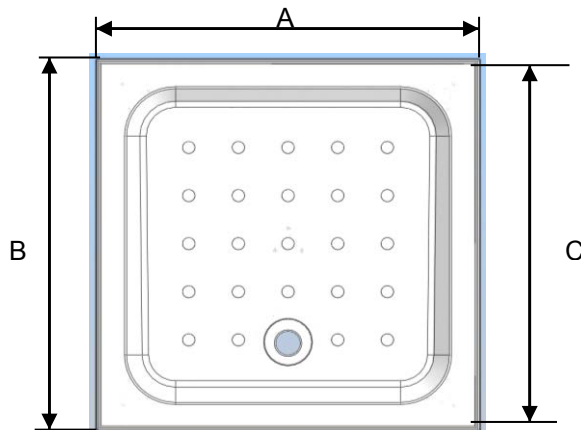


TRAY SIZES	DIM A OVERALL	DIM B OVERALL	DIM C B/TWEEN UPSTAND	DIM D B/TWEEN UPSTAND/ W/GUARD
900x760	<b>918</b>	<b>778</b>	<b>900</b>	<b>754</b>
1000x800	<b>1018</b>	<b>818</b>	<b>1000</b>	<b>794</b>
1200x760	<b>1213</b>	<b>778</b>	<b>1195</b>	<b>754</b>
1200x800	<b>1217</b>	<b>820</b>	<b>1195</b>	<b>794</b>

ALL DIMENSIONS ±2mm

**SQUARE TRAYS**

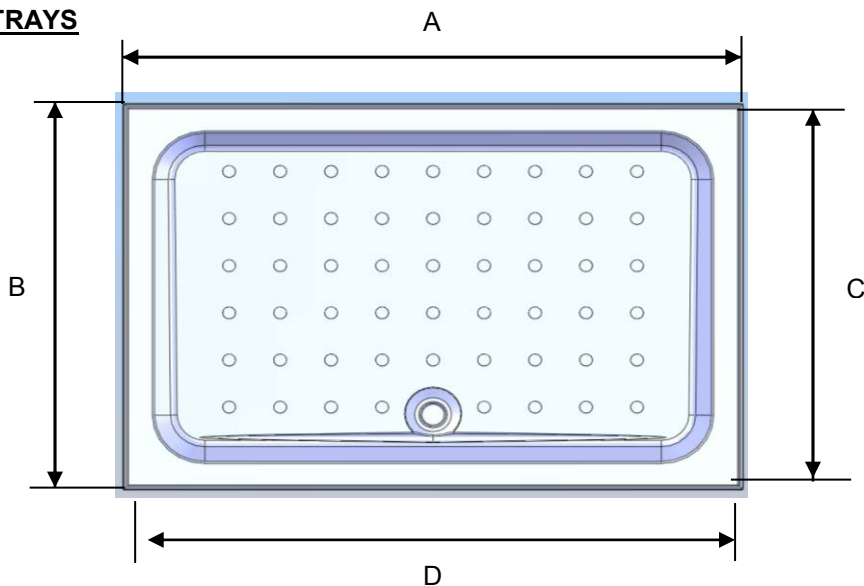
**4 UPSTAND**



TRAY SIZE	DIM A OVERALL	DIM B OVERALL	DIM C B/TWEEN UPSTAND
760x760	<b>778</b>	<b>778</b>	<b>760</b>
800x800	<b>818</b>	<b>818</b>	<b>800</b>
900x900	<b>918</b>	<b>918</b>	<b>900</b>

**RECTANGULAR TRAYS**

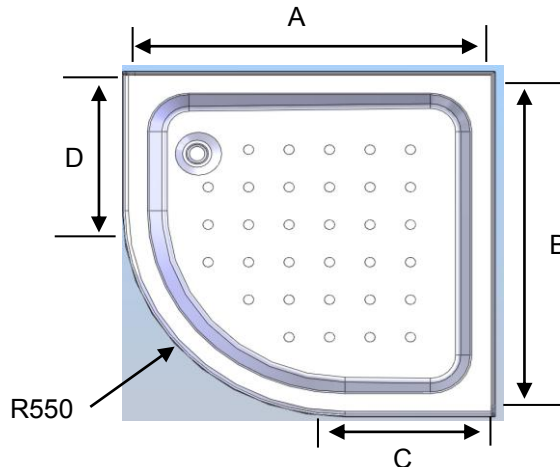
**4 UPSTAND**



TRAY SIZE	DIM A OVERALL	DIM B OVERALL	DIM C B/TWEEN UPSTAND	DIM D B/TWEEN UPSTAND
900x760	<b>918</b>	<b>778</b>	<b>760</b>	<b>900</b>
1000x800	<b>1018</b>	<b>818</b>	<b>800</b>	<b>1000</b>
1200x760	<b>1213</b>	<b>778</b>	<b>760</b>	<b>1195</b>
1200x800	<b>1213</b>	<b>820</b>	<b>798</b>	<b>1195</b>

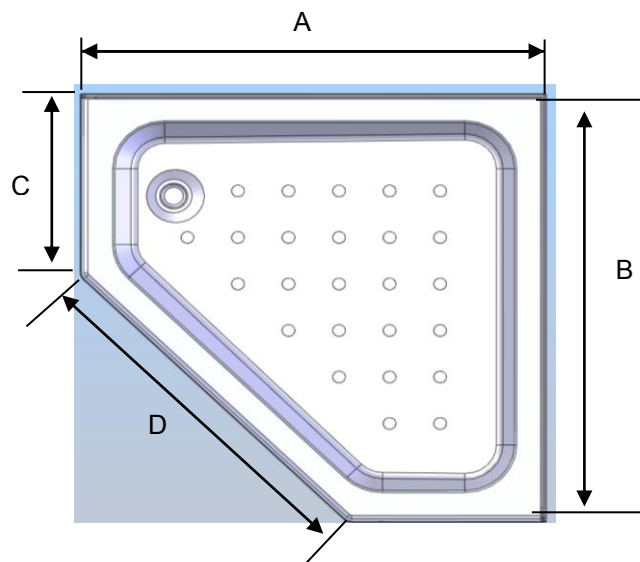
ALL DIMENSIONS ±2mm

**QUADRANT TRAYS**



TRAY SIZES	DIM A OVERALL	DIM B B/TWEEN UPSTAND/ W/GUARD	DIM C	DIM D
800x800	824	800	274	274
900x900	924	900	374	374
900x1200 L/H	1226	1200	674	374
900x1200 R/H	1226	1200	674	374

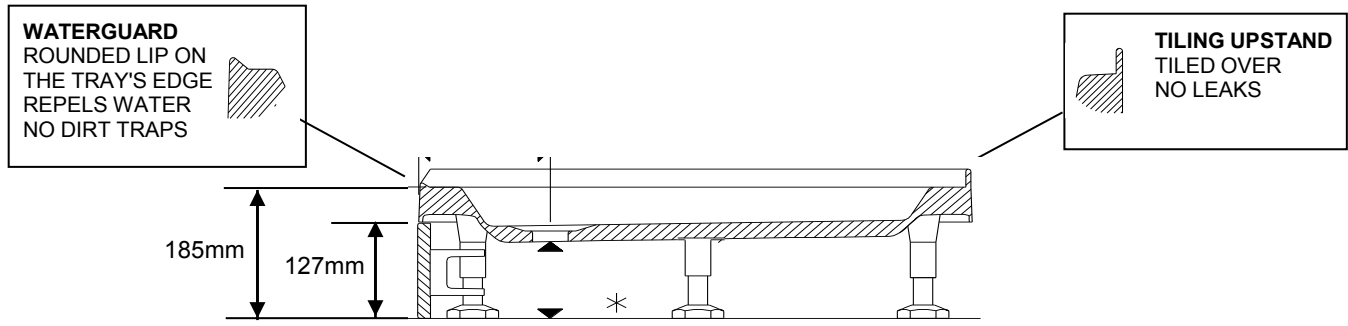
**PENTAGON TRAYS**



TRAY SIZES	DIM A OVERALL	DIM B B/TWEEN UPSTAND/ W/GUARD	DIM C	DIM D
900	924	900	380	747

**COMPATIBLE SHOWER ENCLOSURES FOR QUADRANTS AND PENTAGON**

<b>800 QUAD TRAY</b>	<p><b>CORAM PQD 80</b> <b>CORAM 0QD 80</b></p> <p>MOST 800mm QUADRANT ENCLOSURES (WITH A 520-524mm RADIUS)</p>	
<b>900 QUAD TRAY</b>	<p><b>CORAM PQD 90</b> <b>CORAM 0QD 90</b></p> <p>MOST 900mm QUADRANT ENCLOSURES</p>	
<b>1200X900 QUAD</b>	<p><b>CORAM PQD 12</b></p> <p>AQUADART MARINO 1200X900 OFFSET QUADRANT</p>	
<b>900 PENT TRAY</b>	<p><b>WILL FIT</b></p> <p><b>CORAM PPE 90</b> <b>CORAM OPE 90</b></p> <p>AQUATA QUINTET 900 MANHATTAN M2 BROOKLYN 3 SIDED MANHATTAN M3 PENTA METROPOLITAN PENTA TREVI CHIARA PENTAGON TREVI TRIBUNE PENTAGON</p>	<p><b>WILL NOT FIT</b></p> <p>AQUADART GENOA PENTAGON 900 AQUADART TOLEDO PENTAGON 900 AQUADART TURIN PENTAGON 900 AQUALISA QUINTET PENTAGON 900 JACUZZI / NIAGARA 950 PENTAGRA MATKI QUINTESSE</p>



\* SPACE UNDER TRAY FOR 50mm WATER SEAL TRAP (COMPLIANT WITH UK CODE OF PRACTICE BS EN 12056-2:2000 AND BUILDING REGS PART H )

TILING UPSTAND HEIGHTS  
ALL 4 UPSTAND TRAYS = 20MM  
ALL 3 UPSTAND, QUADRANTS AND PENTAGONS = 30MM

<p>TRAY PANEL SUPPORT SYSTEM TRAP INCLUDED</p>	<p>TRAY CONFORMS TO BS6340 PART 5 &amp; BS EN 251:2003 TRAY PROTECTED BY UK PATENTS 2318049 &amp; 0327569.0 ACRYLIC - CAPPED ABS SKIN - CORATECH™ CELLULAR RESIN REINFORCEMENT HIGH IMPACT POLYSTYRENE SKIN - CHIPBOARD REINFORCED HT ADJUSTABLE - INJECTION MOULDED - FACTORY FITTED LEGS - INSTALLER FITTED FEET OPELLA TOP ACCESS COMBINED TRAP / WASTE 50mm WATER SEAL - 1 1/2" OUTLET - CHROME, DOMED TOP</p>
--	--

**plumbworld**  
**Big brands, small prices.**

Pdf Supplied By <http://www.plumbworld.co.uk/>