

Instructions for your



Acrylic Shower Bath

www.plumbworld.co.uk

CARE OF BATH

This bath left our works in first class condition and the following points should be noted;

Care of bath - for the fixer: Keep under cover in a clean, dry, weather-proof place.

Do not drop. Protect completely during and after installation (with clean felt etc.).

Test the fittings and then do not use the bath for any other purpose.

WARNING

1. Filling. It is advisable always to run in some cold water before turning on the hot tap.

2. Cleaning. The bath should always be cleaned immediately after use, preferably whilst the water is running out and the bath is still warm. The film of insoluble soap products, body fats and grime which will otherwise harden on the side of the bath is easily removed at this stage. In hard water districts insoluble lime salts are deposited below the waterline and under leaking taps. If this deposit is allowed to build up, it becomes increasingly difficult to remove and looks unsightly. Prompt cleaning is again the answer. Hot soapy water with a cloth should be used and the bath wiped dry.

3. Cleaners of a gritty or abrasive nature should never be used. Worn washers on dripping taps should be replaced.

4. Chemicals. Acrylic has good resistance properties to acids and alkalis but should not be allowed to come into contact with organic solvents such as dry cleaning agents and paint strippers.

5. Removal of scratches. In the event of slight scratches in the bath surface a mild abrasive, similar to metal polish, can be used to polish these out.

6. Burning cigarettes should not be allowed to come into contact with the surface of this bath or damage may ensue.

When making joint to waste, overflow etc. on this product, DO NOT use linseed oil putty or similar based sealing compounds. Ensure rubber washers supplied with waste fittings are located correctly to give watertight seal.

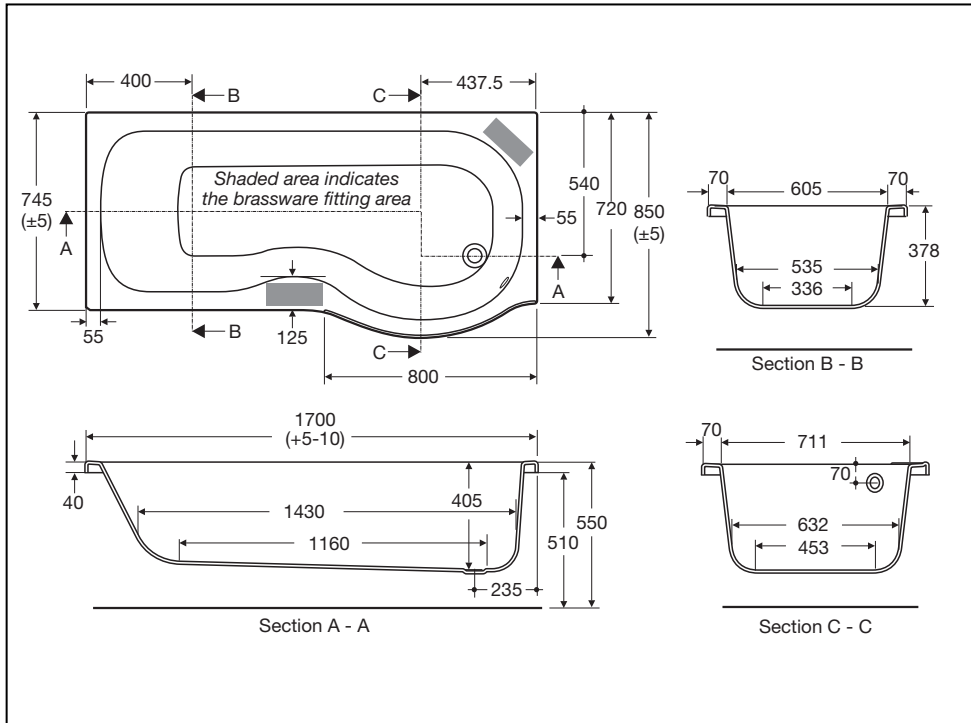
IMPORTANT

Every care has been taken to ensure this bath arrives in perfect condition.

***TO AVOID DISAPPOINTMENT,
PLEASE REMOVE THE PROTECTIVE FILM
AND INSPECT BEFORE INSTALLATION.***

Responsibility will not be accepted for the installation of faulty baths.

TECHNICAL INFORMATION



BATH CONDITION

Before commencing installation, carefully remove packaging/protective film and check for damage. If damaged, report immediately to supplier.

The bath should be fully protected during the installation process.

Fig. 1 illustrates baths fitted with rigid panels.

The acrylic baths can be installed in a normal floor standing position, fully sunk or semi-sunk. The essential requirements are to ensure access to the bath feet and wall brackets for height adjustments and levelling during installation. Along with easy access to the waste, overflow and tap connections for maintenance, should it be necessary. This applies to whatever installation method is chosen. Whether the bath is fitted standing on the floor, fully sunk or semi-sunk, all feet must rest on a firm support, which in the case of a sunken bath or semi-sunk may be a sub-floor. Consequently, a wooden floor or sub-floor must be capable of supporting the weight of the bath, distributed on all feet, plus the weight of the water and bather. No load must be taken through the bath rim. The floor surrounding the bath must be supported as necessary to prevent deflections around the bath approach area.

Each bath is supplied fully protected with the base board and timber frame already fixed. The legs and bag containing feet, wall fixing brackets and screws etc. are attached to the bath. The dimensions of the bath are shown in Fig. 1.

Rigid front and end panels are available for the baths. The end panels are specially reinforced for rigidity and can be fitted to the bath without the need for a complicated support frame.

INSTALLATION

1. Lay bath face down and remove legs and bags containing feet etc.

The 4 - No. 8 x 40 long self tapping screws removed from the bath are NOT REQUIRED.

2. Locate leg adjusters on bath frame and leg adjuster block, mark positions for the fixing screws on the base board. Pilot drill the holes in the bath frame and fix leg adjusters to frame.
3. Locate bath legs in leg adjusters. Pilot drill the holes in the base board, to a depth of 6mm maximum. Position legs in leg adjusters and on base board and secure. Locate No. 8 x 12 long pan head self tapping screw into leg adjuster and tighten.
4. Fix support leg and end cap onto the front edge of the tap decking, see Fig. 1, ensuring it does not foul pipework or brassware.

The support leg is not fitted at this stage.

DO NOT OVER TIGHTEN.

5. Fit panel clips to panel clip blocks. The panel clips must be located onto the wooden blocks with the No. 8 x 20 long pan head screws supplied, 22mm back from the edge of the bath rim.

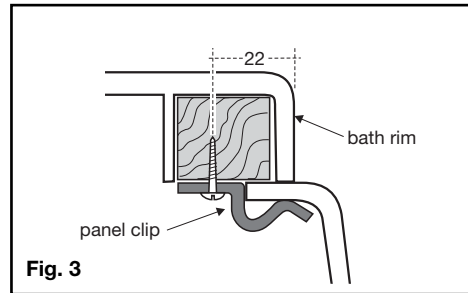


Fig. 3

6. Locate centre support bracket, mark screw hole positions, pilot drill holes in base board, to a depth of 6mm maximum, and secure bracket.
7. Fix the feet and adjust to give approximate floor to top of rim height required.

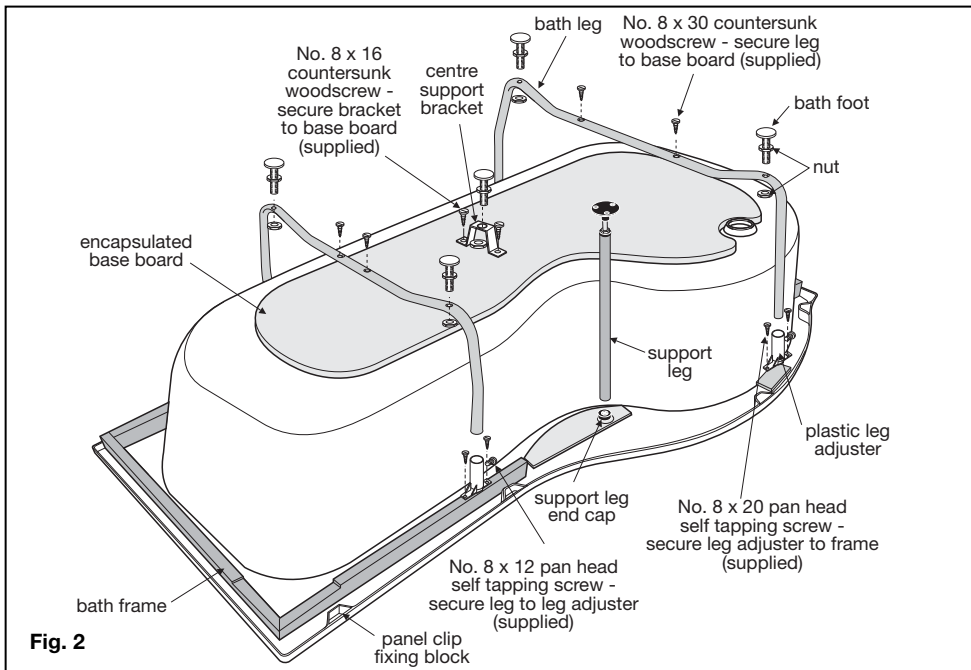
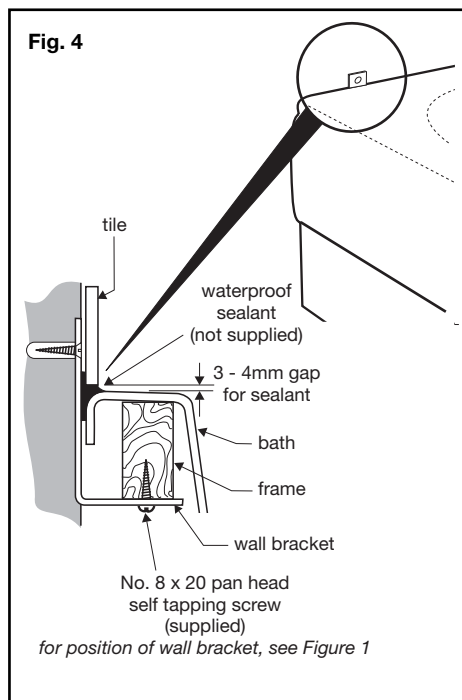


Fig. 2

INSTALLATION

8. Fit supply and waste fittings. If the bath is to be installed with a monoblock mixer a special hole (or holes) is required to accommodate the mixer and will have to be cut by the installer in the rim of a no tap hole bath to suit the bathroom layout taking careful note of operation of tap handles and proximity of walls etc. For positioning of template see Fig. 1. A template for cutting two tap holes in a no tap hole bath is supplied with the bath. Cut tap holes, and fit supply fittings, waste, overflow and trap.
9. Fix the two wall fixing brackets to bath frame as indicated in Fig. 4. Pilot drill holes in frame before fixing brackets. Turn bath onto its feet and locate in place. Adjust height of bath to ensure correct fit of panel(s).
10. Fix bath to wall, Fig.4.
11. Fix bath to floor and ensure that all nuts are tight.
12. Fit support leg and adjust foot to correct height. (*Do NOT force the rim upwards*). The foot can be screwed to the floor for extra stability, if required.
13. Connect services, test for satisfactory operation of fittings and ensure there are no leaks.
14. Tile down to the height of the bath rim leaving a 3-4mm gap for waterproof sealant, see Fig. 4. An extruded sealing strip can be used for the bath to wall joint as an alternative to waterproof sealant. Protect bath during tiling. It is advisable to fill the bath with water before making bath to wall seal.



FIXING THE PANELS

The bath panel is supplied for optimum floor to rim height of 540mm. The bath can be set lower but this will involve cutting a strip off the bottom of the panel. Reducing the panel height requires great care and responsibility cannot be accepted for incorrect cutting of the panel.

Locate and fix the floor support blocks (Fig. 5)

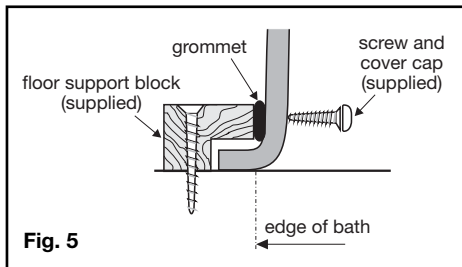


Fig. 5

Using a spirit level up against the side of the bath, mark a line on the floor vertically down from the rim of the bath, and attach floor support blocks as shown in Fig. 5, equally spaced along panel length. Mark positions of support blocks on the wall and floor as this will assist when drilling the panel for fixing screws.

FIT END PANELS

Attach the lengths of PVC cushioning strip to the top edge of the panel (two on the end). Fit end panel by pushing the top edge under the bath rim.

FIT PANEL

Place the bath panel in position and press the top edge into the panel clips until it is fully engaged. Drill holes through panel and support blocks and fix panel to each floor/wall support block using the screws, grommets and screw cap covers supplied.

CUSTOMER CARE

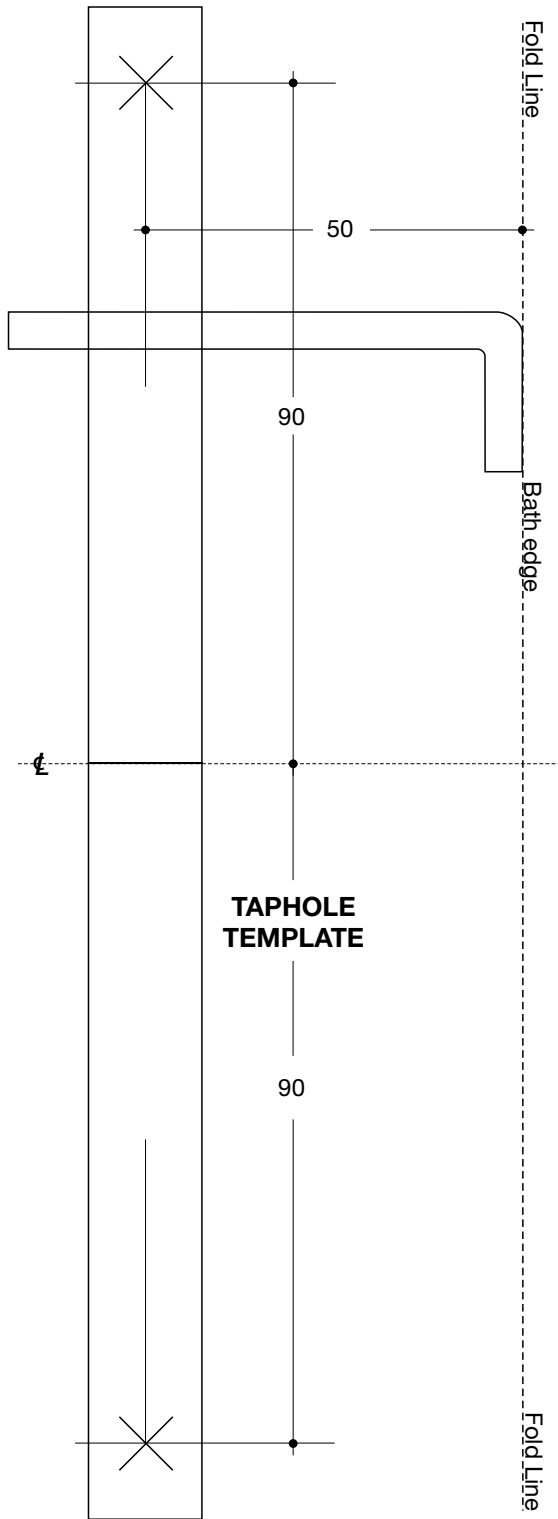
email: customerservices@plumbworld.co.uk

Plumbworld

Units 2, 3 & 4 Millenium Court, Enterprise Way,
Evesham, Worcs. WR11 1GS

We pursue a policy of continuing improvement in design
and performance of our products. The right is, therefore,
reserved to vary specifications without notice.

**4802 05/09
EE72534767**



plumbworld
Big brands, small prices.

Pdf Supplied By <http://www.plumbworld.co.uk/>