

Instructions for your



Whirlpool Bath

[www.plumbworld.co.uk](http://www.plumbworld.co.uk)

# Ceramica Whirlpool User Instructions

The Ceramica Whirlpool System has a single on/off button and an air control.

## On/Off Button

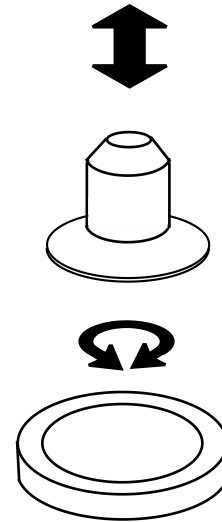
To start the whirlpool system press and release the round button. To stop the whirlpool system press and release the round button again. Use a short definite push for best results.

## Air Control

To adjust the turbulence of the whirlpool system turn the air control knob.

DO NOT run the whirlpool system without sufficient water in the bath (fill to 75mm above the jets). This will damage the pump and invalidate your guarantee.

When the bath is not in use turn off at the R.C.D. or isolator switch to prevent accidental switching on of the pump.



## Whirlpool Bathing Safety

If you suffer from a heart condition or are pregnant consult your doctor before taking a whirlpool bath.

DO NOT allow children to bathe in the whirlpool unattended.

DO NOT allow hair to become entangled with the suction fitting (the largest fitting in the bath). If necessary bathe using a shower cap.

DO NOT take a whirlpool after a large meal or after drinking alcohol.

DO NOT over do it! Start by having the whirlpool on for a short period and build up gradually each bath time.

DO NOT bathe in hot water above 40 Degrees Centigrade (104 F)

DO NOT use large quantities of bubble bath, it will cause excessive foaming.

## Care and Maintenance

DO NOT use bath oils, these will coat the pipes and cause a build up of grease.

DO NOT run the whirlpool system without sufficient water in the bath, this will cause damage to the pump.

DO NOT clean the whirlpool fittings with abrasive or multi-surface cleaners. Use only mild soapy water and a soft cloth.

# Plumbers Instructions

## Installation Guide

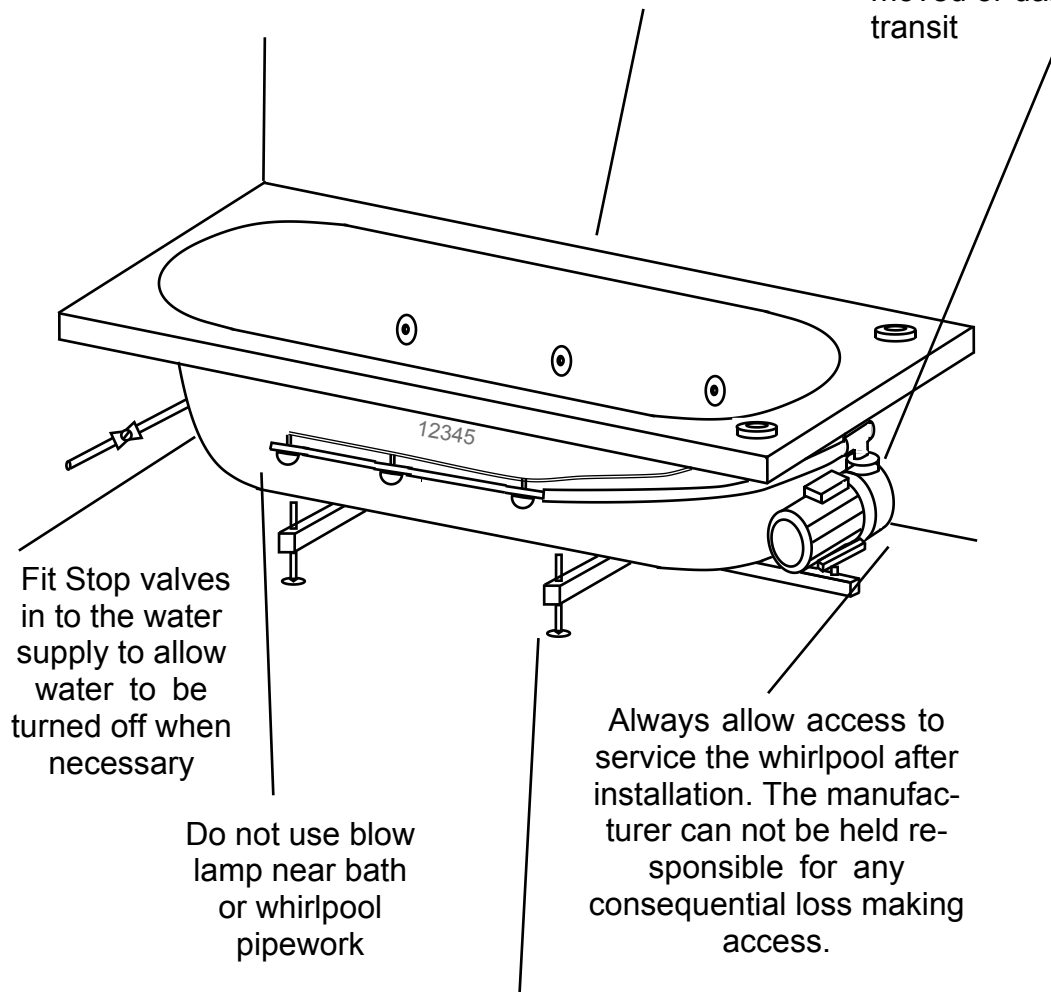
**DO NOT** Lift or move the bath with any part of the pipework, pump or fittings.

**Inspect bath** and report any damage **before** installation. Protect the bath throughout installation process.

Take care when drilling for taps. Check for whirlpool pipes.

Ensure bath is level and set to the correct height for the panel.

Check Union nuts are hand tight only and nothing has been moved or damaged in transit



Fit Stop valves in to the water supply to allow water to be turned off when necessary

Do not use blow lamp near bath or whirlpool pipework

Always allow access to service the whirlpool after installation. The manufacturer can not be held responsible for any consequential loss making access.

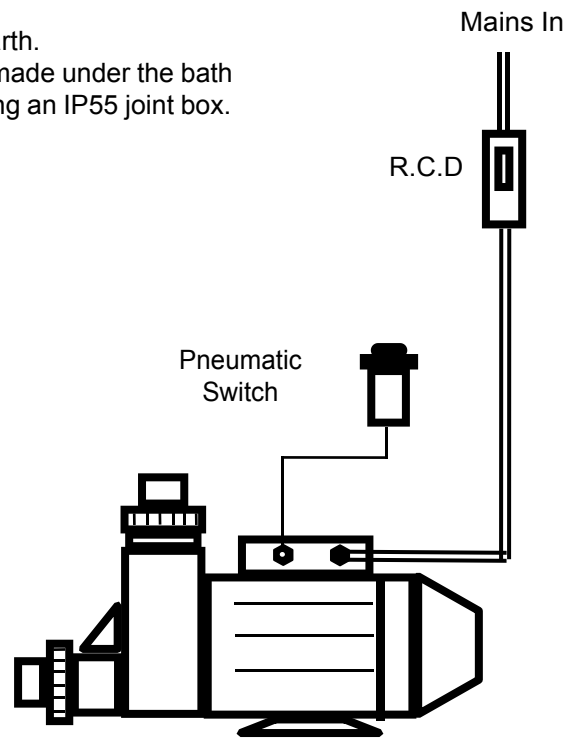
Adjust feet and fix to floor. Check bath feet do not touch bath.

Fit the bath in such a manner that will allow its removal without the necessity to remove tiles.

# Electricians Instructions

This bath must be installed to comply with all necessary electrical regulations by a qualified tradesman.

Mains Supply 230 V, 50 Hz,  
13 amp fused through an R.C.D. 230v  
30Mamp, 30Msec.  
Cable 2.5 Twin & Earth.  
Mains connections made under the bath  
should be made using an IP55 joint box.



Pump  
230v 50 Hz 580Watt 3.2amp running.

**This bath must be fitted with an RCD**