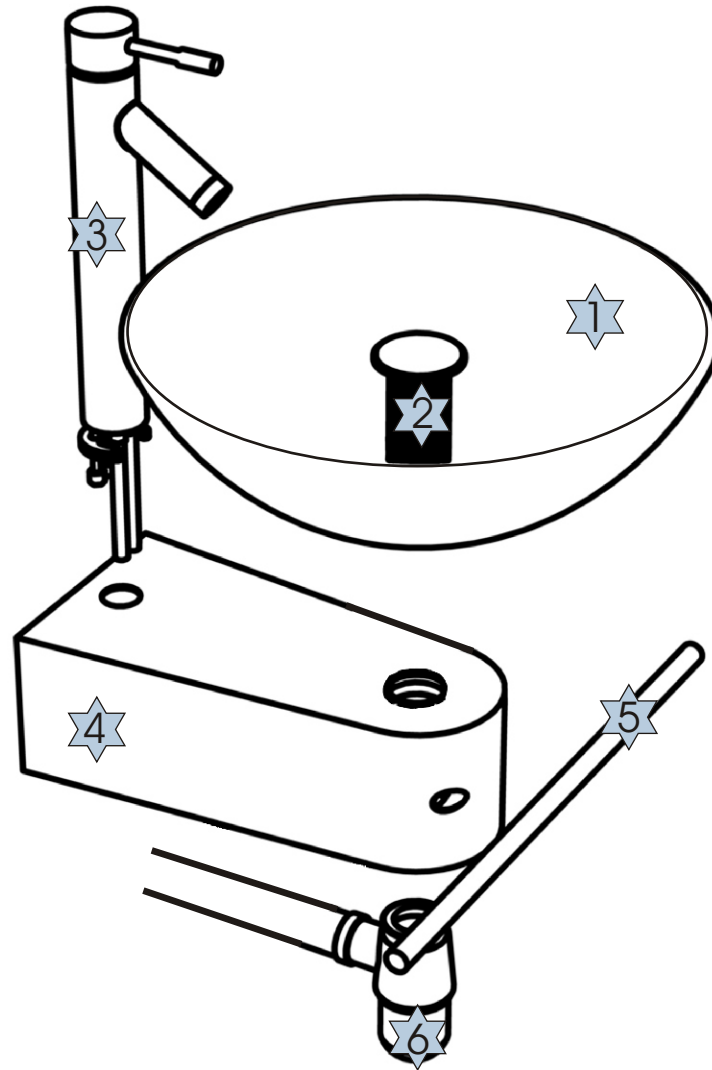


ASSEMBLY GUIDE

WALL MOUNTED BASIN

39/075

Components



- 1 X1 Ceramic Basin
- 2 X1 Waste
- 3 X1 Mono-Block Tap
- 4 X1 Steel Base
- 5 X1 Towel Rail
- 6 X1 Trap & Extension Pipe

Tools required

Hardware

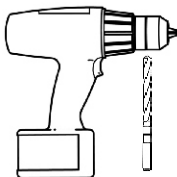


Pencil



Screwdriver

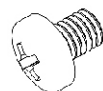
Drill and drill bits
Required when securing the cabinet to a wall. Use an appropriate size bit to match the wall fixing chosen (wall screws not supplied)



Tape Measure



Pliers



X1 Grub Screw



Before you start...

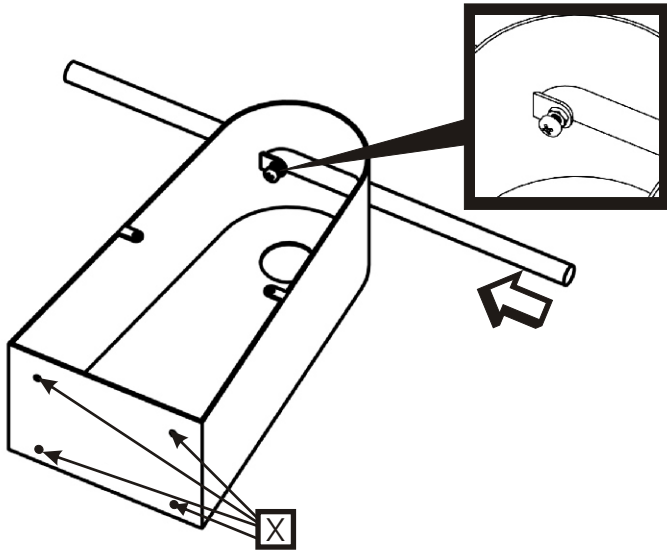
Check the pack and make sure all the components are included. When you are ready to start make sure you have the right tools to hand, plenty of space and a clean dry area for building. Don't rush, read the instructions first and run through the assembly sequence before you begin.

Assembly should be done in the stages shown in the following diagrams,

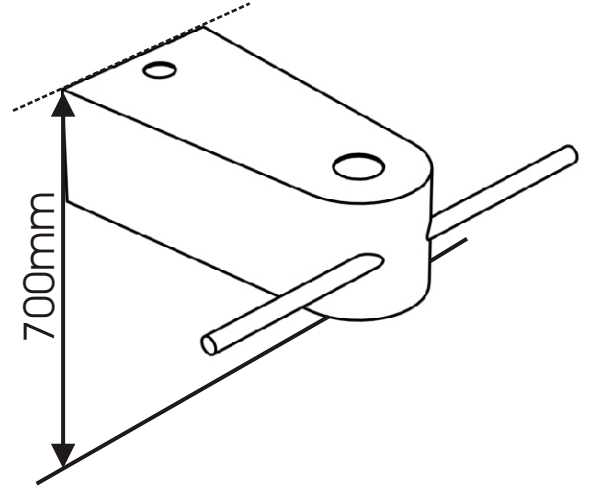
CLEANING - Do not use washing powders or any other types of abrasive cleaner.


Assembly Instructions

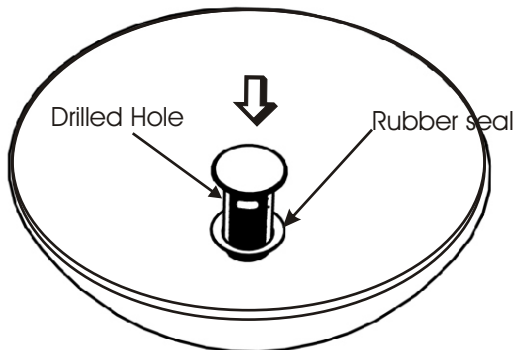
- 1** Lay the steel base  upside down on the floor and slide the towel rail  through the holes at the front of the base. Tighten the grub screw to secure the rail.




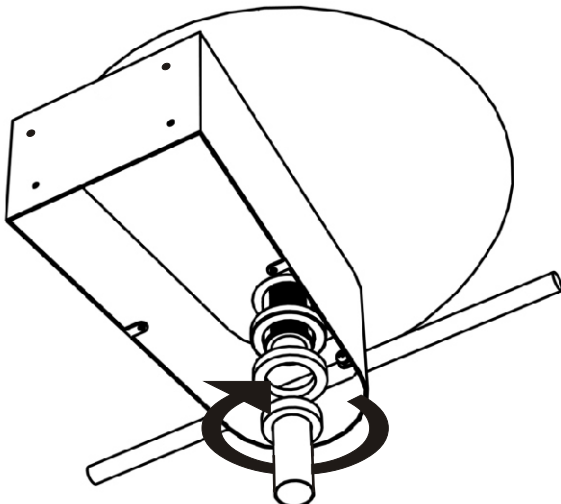
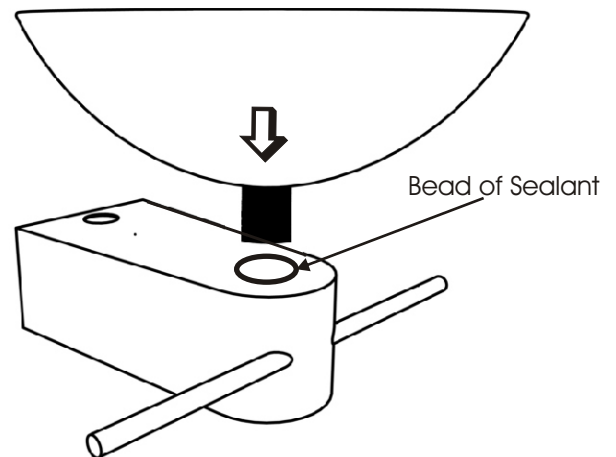
- 2** Position the base and towel rail assembly against a suitable wall. Measure up from the floor 700mm and mark a straight horizontal line along the top edge of the base. Mark through the holes (marked X previous image) on the steel base onto the wall. Drill and secure using an appropriate drill bit and fixings.



- 3** Using a suitable drill bit you will need to drill a hole in the threaded waste pipe so that it aligns with the over flow situated in the waste hole of the ceramic basin. Push the waste  into the ceramic basin hole, ensure that the rubber seal is positioned between the waste and the bowl.



- 4** Position the ceramic basin  onto the base. It is good practice to seat the ceramic basin on a bead of sealant when finally fixing into position to prevent any seepage.










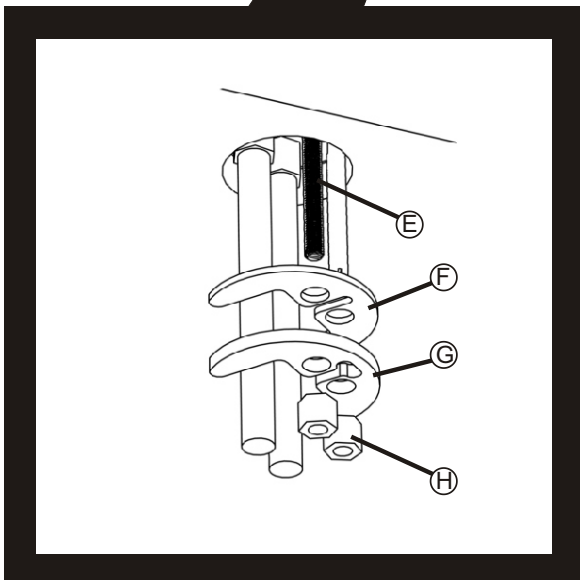
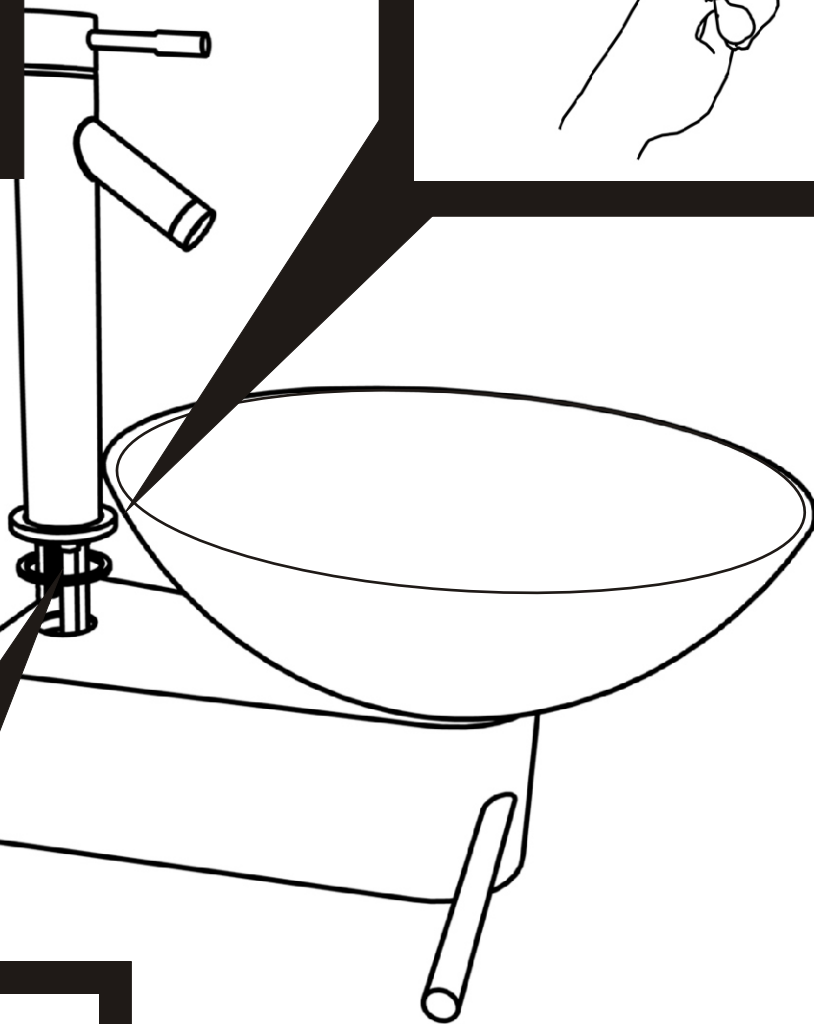
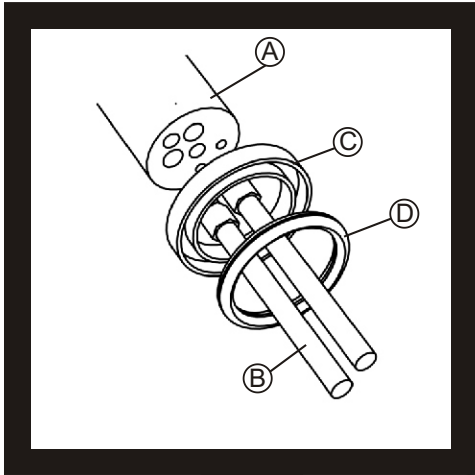
- 5** Tighten the waste and basin onto the base using the waste nut and a pair of pliers, ensuring that the clear rubber seal is positioned between the nut and the base. Attach the waste extension pipe again using the extension nut and a pair of pliers.

IMPORTANT: We recommend that 2 persons fit this product.




Mono-block tap assembly and fitting









6

Assemble the Mono-block tap  as shown below. Fit the flexi-pipes , top cover  and top cover seal  to the tap body . Screw in the tap studs  to the tap body .



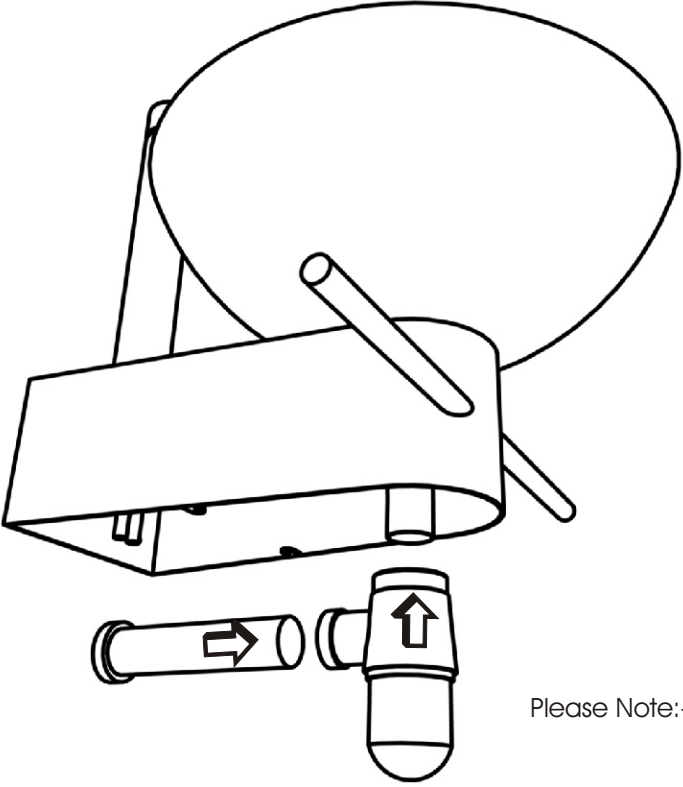
7

Position the tap assembly onto the top panel and feed the flexi-pipes  through the hole with the tap studs . Place the rubber securing washer  and the securing washer onto the tap studs and secure the tap assembly to the unit using a 10 mm spanner (not supplied).

- Tap body - 
- Flexi pipes - 
- Top cover - 
- Top cover seal - 
- Tap stud - 
- Rubber securing washer - 
- Securing Ring - 
- Stud nuts - 

8

Push the trap and extension pipe onto the waste pipe. Cut the extension pipe to fit to the wall waste outlet.



Please Note:- If the basin has an integral overflow, a hole must be made in the waste.