

IMPORTANT – CARE OF YOUR PRODUCT CLEANING

After use all finishes should be maintained by wiping with a soft, damp, clean cloth and then polished using a dry duster. NO abrasive powder, detergents or polishes should be used. Cleaner containing alcohol, acid or corrosive chemicals should not be used.

NOTE

- ◆ Some household bleaches and denture cleaners can damage plated or coloured finishes and if splashed onto a fitting should be immediately washed off with cold water.
- ◆ If these instructions are followed we believe this fitting will give many years of satisfactory use.
- ◆ We have a policy of continuous improvement and reserve the right to change specification without notice.

GUARANTEE

This shower mixer is guaranteed for a period of 2 years against any defects of materials and workmanship from date of purchase, subject to correct installation, maintenance and use in accordance with this instruction leaflet. Please retain proof of purchase.

During the guarantee period parts will be replaced or repaired at our option. No labour costs will be reimbursed unless prior agreement has been obtained from Bathroom Brands International Ltd.

This guarantee is offered as an extra benefit and does not affect your statutory rights as a consumer in any way whatsoever.



**CONCEALED
THERMOSTATIC
SHOWER MIXER
PWBG0008**

customerservices@bathroombrands.co.uk

TROUBLESHOOTING

1) REDUCED FLOW RATE

Cause: The inlet filters of the mixer and/or the cartridge are obstructed.

Solution: Cleaning filters and/or cartridge: refer to "CARTRIDGE CHANGE AND CLEANING"

Cleaning mixer filters: refer to "FILTER CLEANING"

2) WRONG SETTING OF THE CARTRIDGE

Causes: The mixer is factory preset at 2,5-3 bar and at a temperature of 60-65°C for hot water and 10-15°C for the cold one corresponding to a mixing temperature of 38°C. In every domestic installation temperatures and inlets pressures can differ from those of production.

Solutions: Take the water temperature, using a common thermometer for domestic use

Remove the temperature control handle

Turn the broached ring of the cartridge until the blended water reaches the desired temperature

Re-assemble the temperature control handle.

3) CONTINUOUS TEMPERATURE OSCILLATIONS

Cause: The mixer has been installed with the inverted inlets

Solution: Close the main water supply

Remove the valve body: refer to "FILTER CLEANING"

Rotate the valve body reverse the outlet

Re-install the valve body

4) INCORRECT WORKING OF THE MIXING

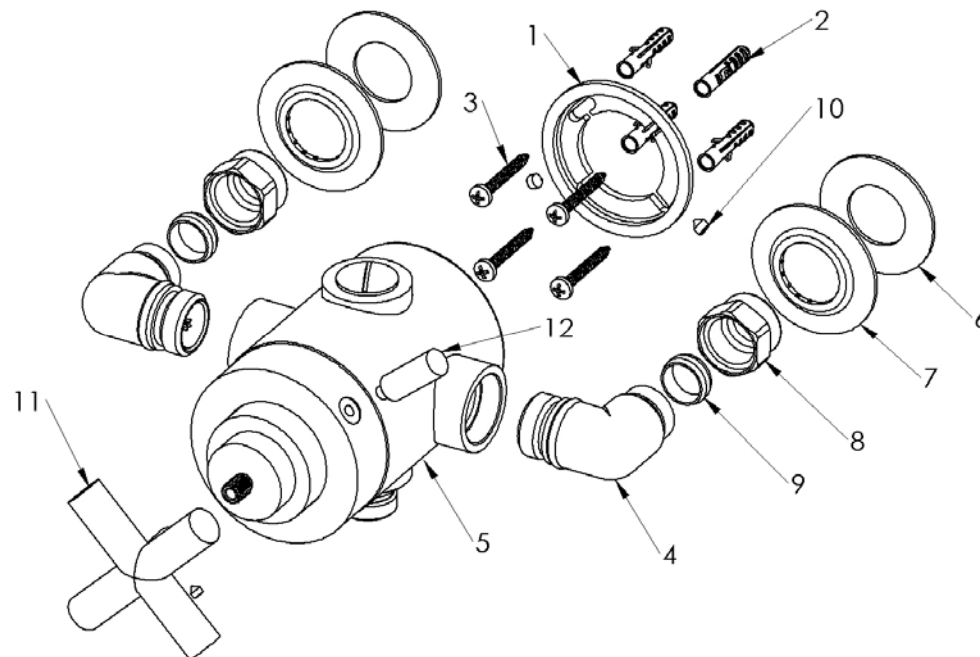
Cause: The filters of the cartridge are dirty

Solution: Refer to the "CARTRIDGE CHANGE AND CLEANING"

INSTALLATION

The hot water inlet must be on the left side of the mixer

- Plumb the hot and cold water pipes and mixed water outlet to the desired mixer position. Please refer to the specification drawings showing the position of the mixer inlets, outlet and how to determine the centre of the mixer wall mounting plate. The hot water inlet is marked with red label.
- Place the mixer wall mounting plate (1) in the correct position and mark the fixing holes.
- Drill the fixing holes in the wall and insert the wall plugs (2).
- Fixing the mixer wall mounting plate (1) with the four screw (3).
- Screw the two elbows (4) on the mixer body (5).
- Place the gaskets (6), the trims (7), the chrome nuts (8) and the olive nut (9) on the two inlet pipes.
- Retain the plastic cover on the outside of the mixer body to prevent damage during installation.
- Secure the mixer (5) on the mixer wall mounting plate (1) with the two grub screw (10). Tighten the two chrome nuts (8).
- Remove the plastic cover from the mixer body and fit the thermostatic handle (11). Fit the on/off control lever (12) to the outer on/off control ring.



GENERAL CHARACTERISTICS

The shower Mixer is suitable for all water heating systems provided it is installed correctly.

Please refer to installation diagram.

OPERATING SPECIFICATIONS

Hot water supply temperature

Maximum: 85°C

Minimum: 5° C Higher than maximum required mixer temperature.

Advisable: 65°C

Minimum difference between hot and mixed temperature is 10°C.

Operating Pressure

Maximum: 5 Bar

Minimum: 0.1 Bar

Hot and Cold Operating pressure should be kept as balanced as possible in order to maintain maximum efficiency.

When the supply pressure is higher than a 5 Bar a pressure reducing valve should be fitted before the shower valve.

TECHNICAL DATA

The temperature control knob is pre-set at 38°C with auto stop at 43°C to avoid scalding.

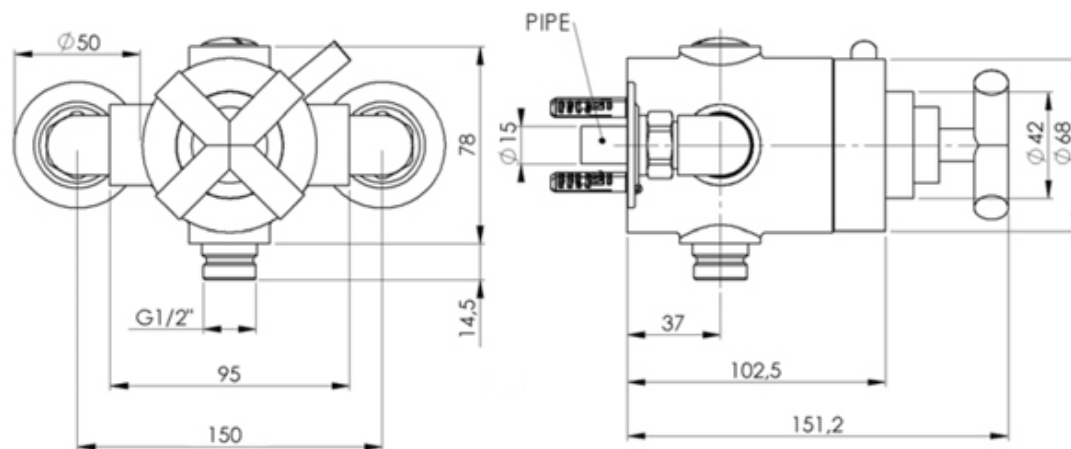
The mixer inlets can be supplied with threads: G ¾" or ¾" BSP

PLUMBING RECOMMENDATIONS

- An independent hot and cold water supply is required for the shower system (do not pipe off ring main) please refer to installation diagrams.
- Large runs of pipe work will cause frictional loss of pressure.
- The recommended pipe work from both cylinder and water tank should be 22mm minimum for low-pressure systems.
- If more than one shower valve is installed the minimum feed from tank and cylinder should be 28mm. (Ensure adequate supply of both hot and cold water can be maintained).
- In installations where a pump is required, install pump before shower mixer inlets

WATER BYE LAWS

The mixing valve should be installed in accordance with the water bye laws. For further details refer to the latest copy of Water Bye Laws guide or your local water authority.

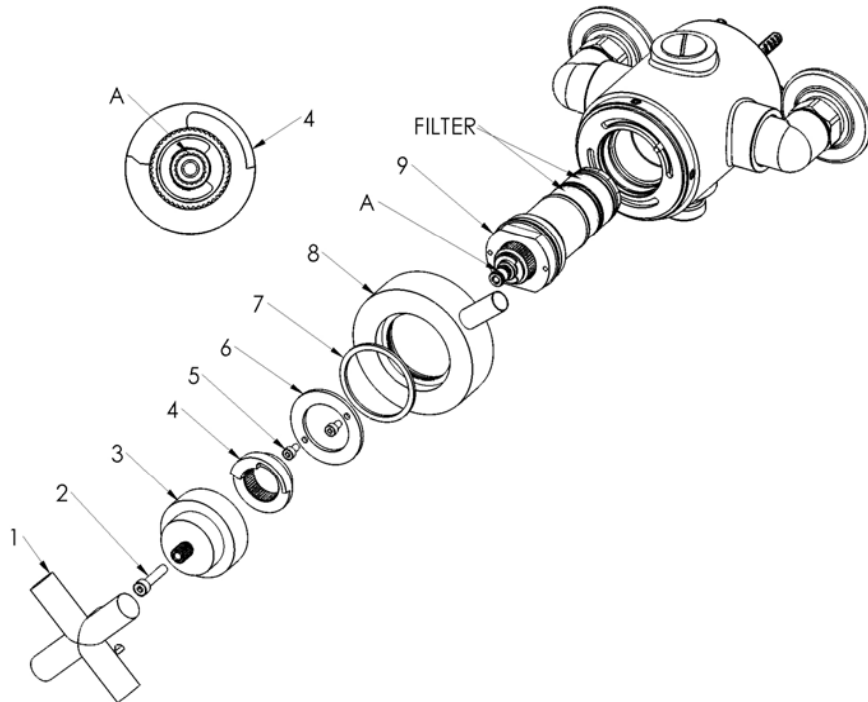


CARTRIDGE CHANGE AND CLEANING

Through years of use impurities and limescale could restrict flow of water through the filters of the cartridge.

To clean it follow the instructions hereunder :

- Shut off water supply to both inlets.
- Remove the cross handle (1) and the screw (2) and take off the temperature control knob (3)
- Remove the stepped plastic washer (4)
- Remove the screw (5) with an allen key 2,5 mm, remove the ring (6) , remove the teflon ring (7) and take off the closure ring (8).
- Unscrew the cartridge (9) with a 30mm spanner
- Wash the filters under running water or leave to soak in vinegar or de-scaling agent
- Before re-assembling the cartridge (9), clean its housing and grease the O-rings on the cartridge
- Re-assemble the cartridge (9), the closure ring (8), the teflon ring (7) and the ring (6) and the screw (5)
- Re-assemble the stepped plastic washer (4 **according to the drawing** and turn spindle (A) until you reach required temperature (38°C)
- Re-assemble the temperature control knob (3), the screw (2) and the cross handle (1).

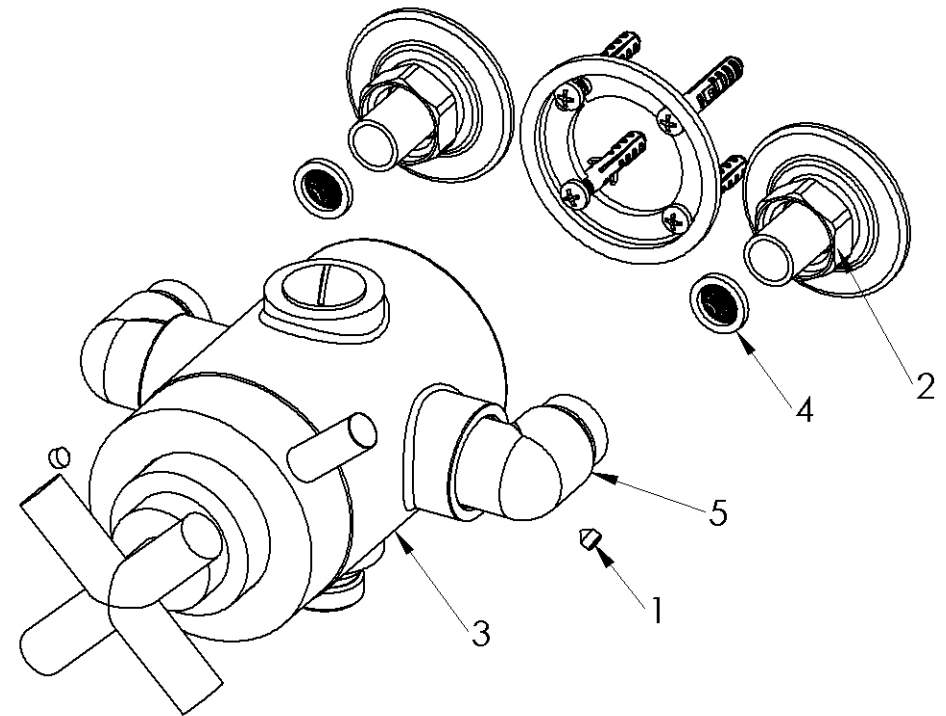


FILTER CLEANING

Through years of use impurities and limescale could restrict flow of water through the filters

To clean it follow the instructions hereunder:

- Shut off water supply to both inlets.
- Unscrew the two grub screw (1).
- Unscrew the two chrome nuts (2).
- Remove the valve body (3).
- Remove the two filters (4) from elbows (5).
- Wash filters under running water or leave them to soak in vinegar or de-scaling agent.
- Re-assemble the filters (4) to the elbows (5).
- Re-assemble the valve body (3).
- Screw the two chrome nuts (2).
- Screw the two grub screws (1).



plumbworld
Big brands, small prices.

Pdf Supplied By <http://www.plumbworld.co.uk/>