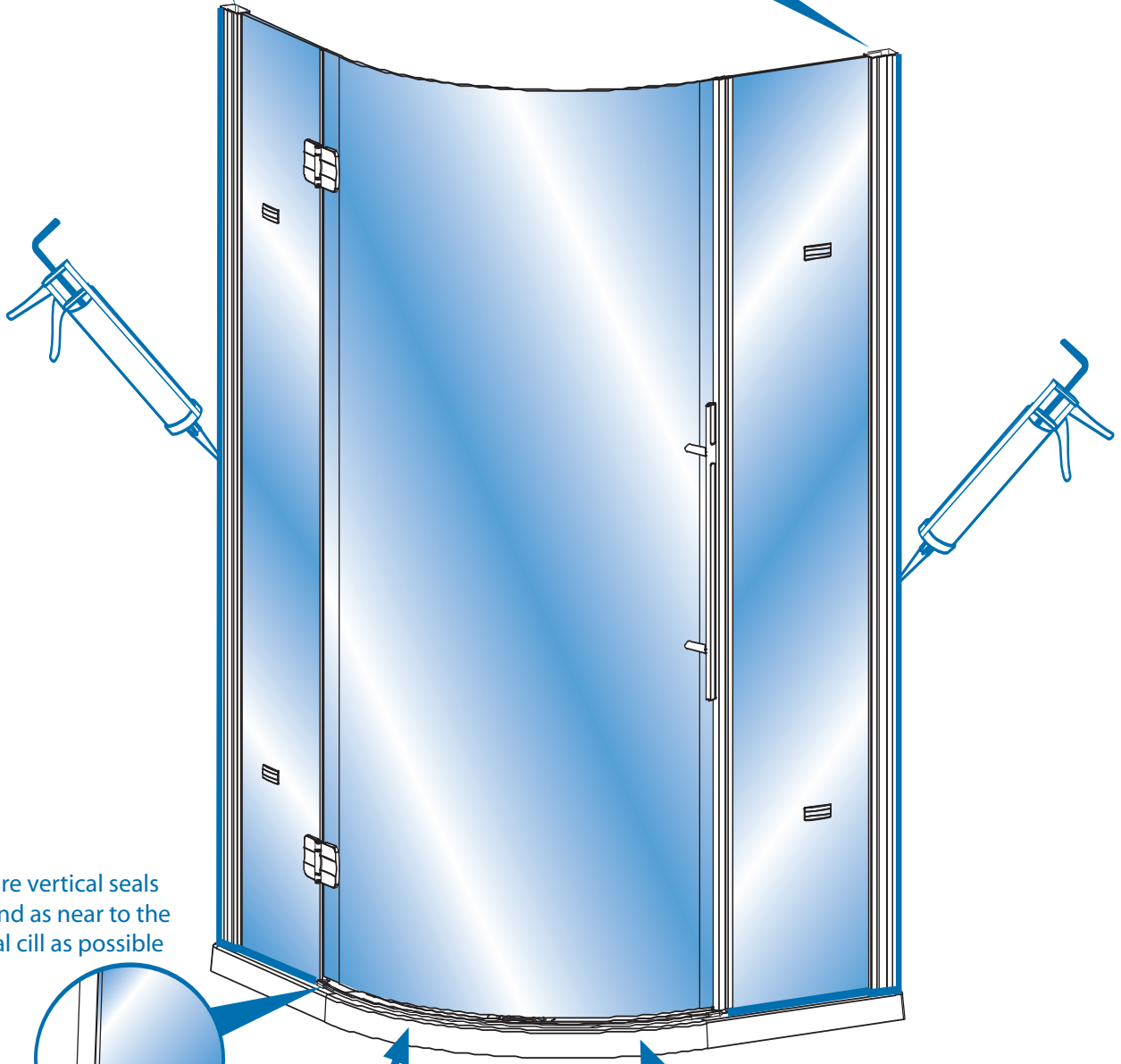
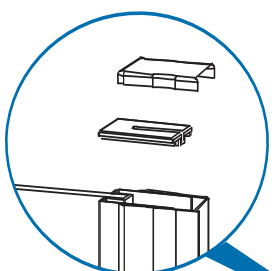
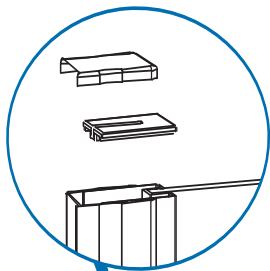
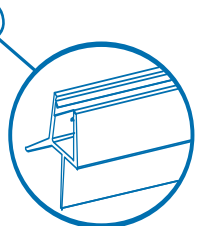
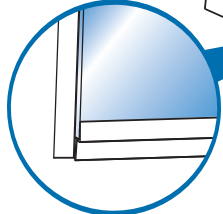


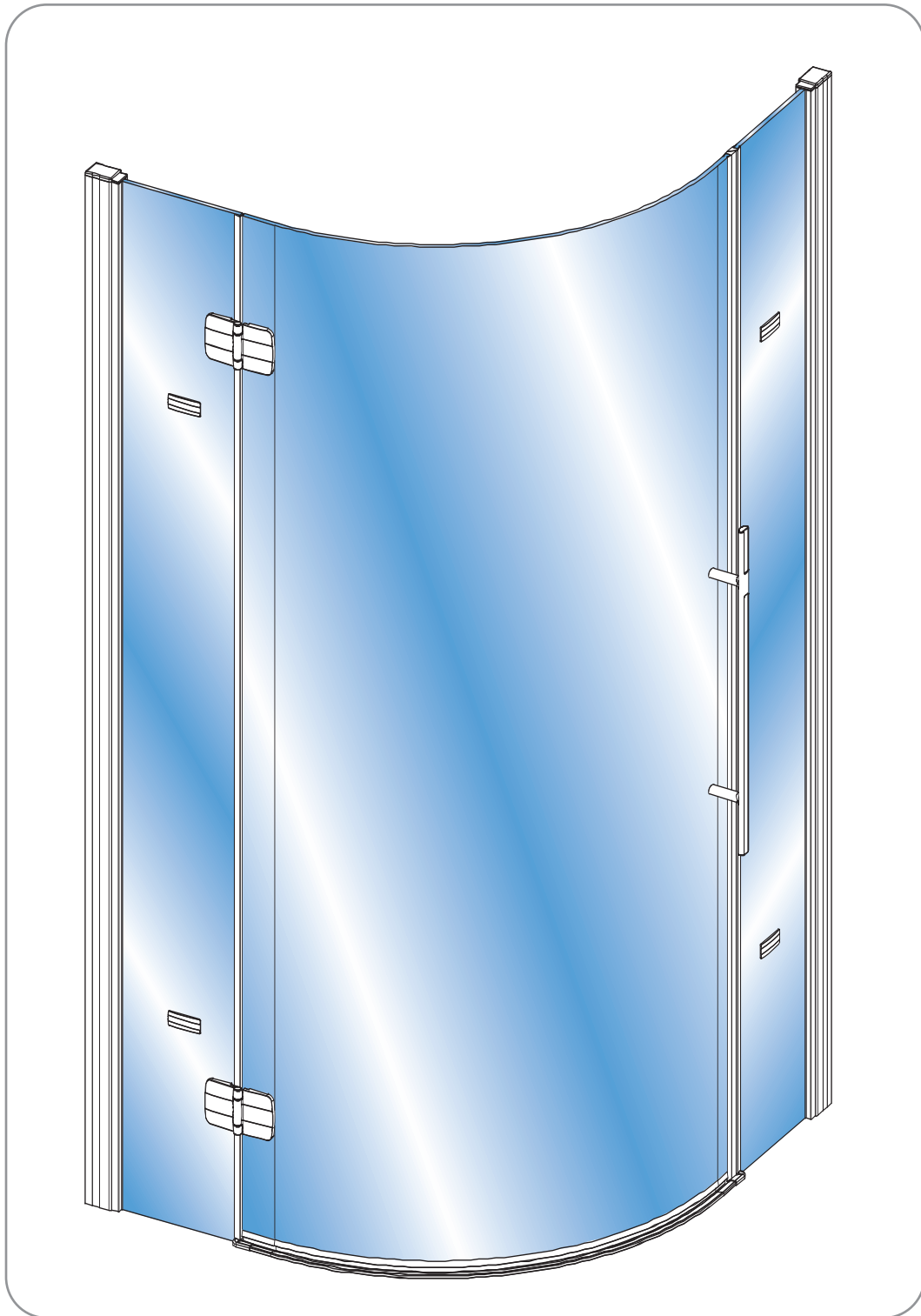
16



Ensure vertical seals extend as near to the metal cill as possible

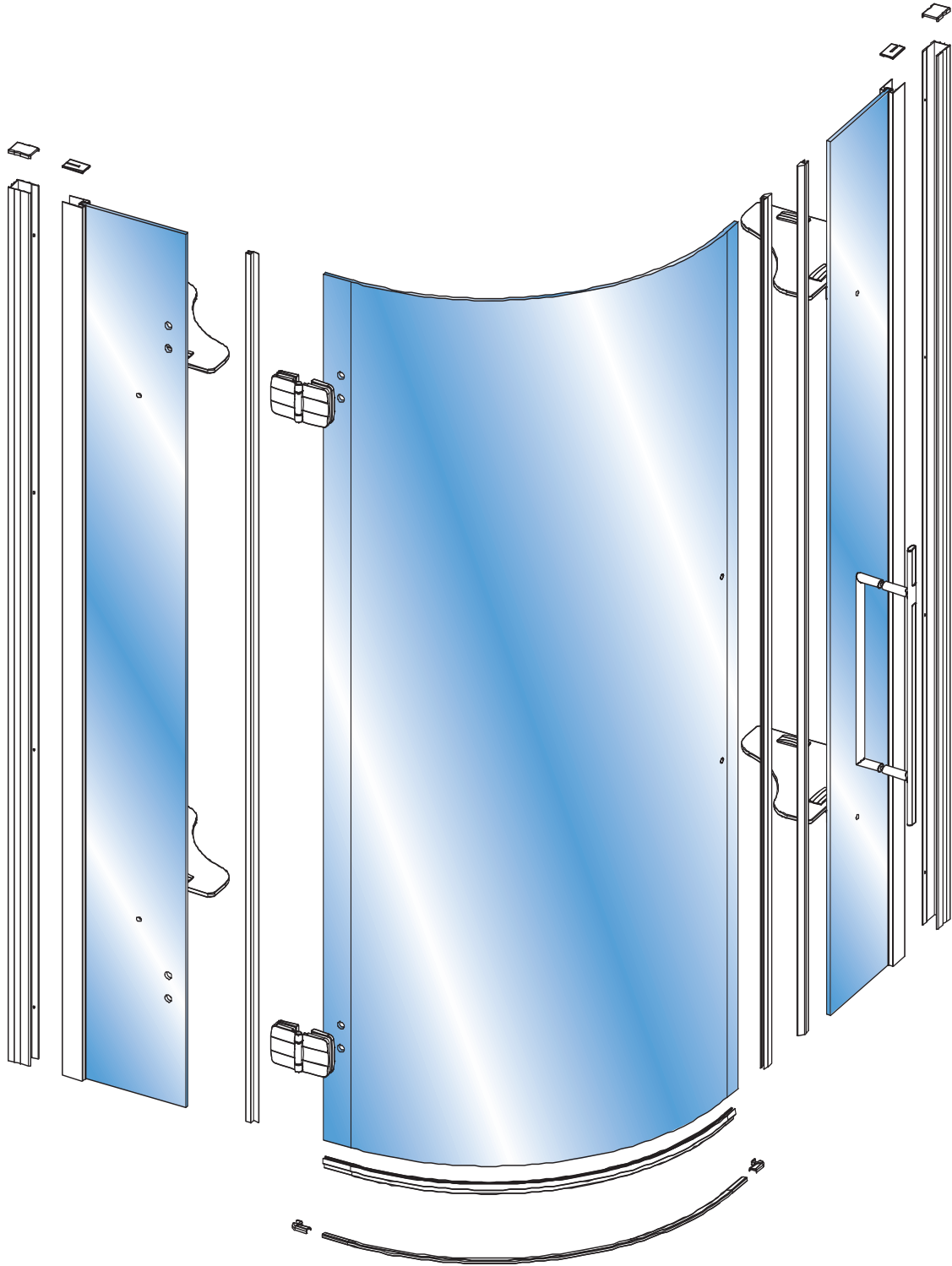


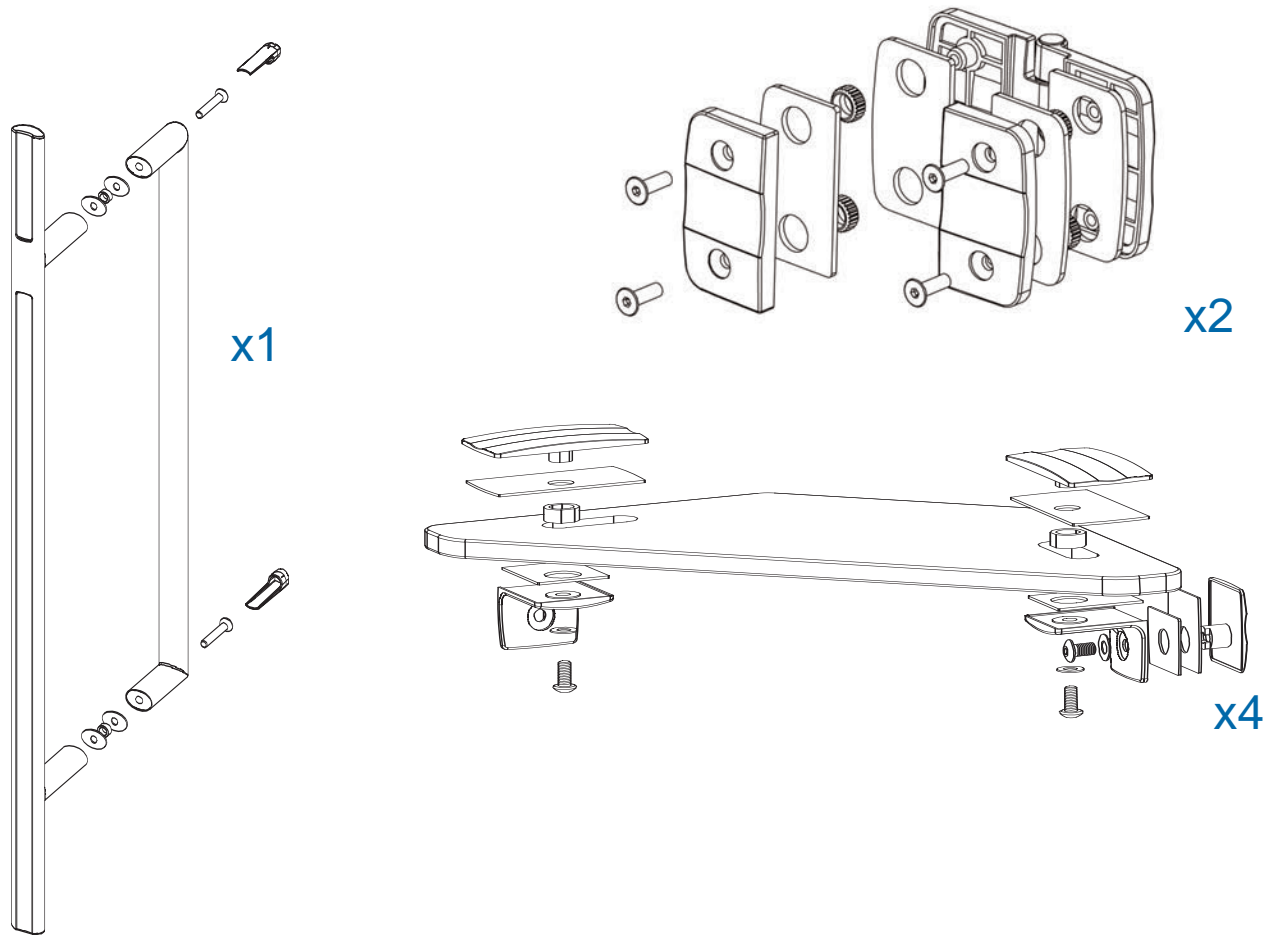
# Single Saloon Door Quadrant



## Step-by-Step Installation Guide

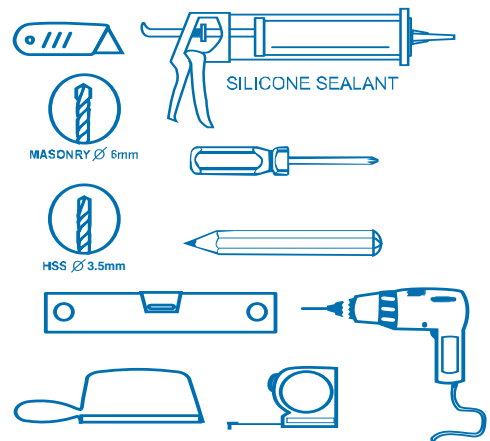
# Single Saloon Door Quadrant





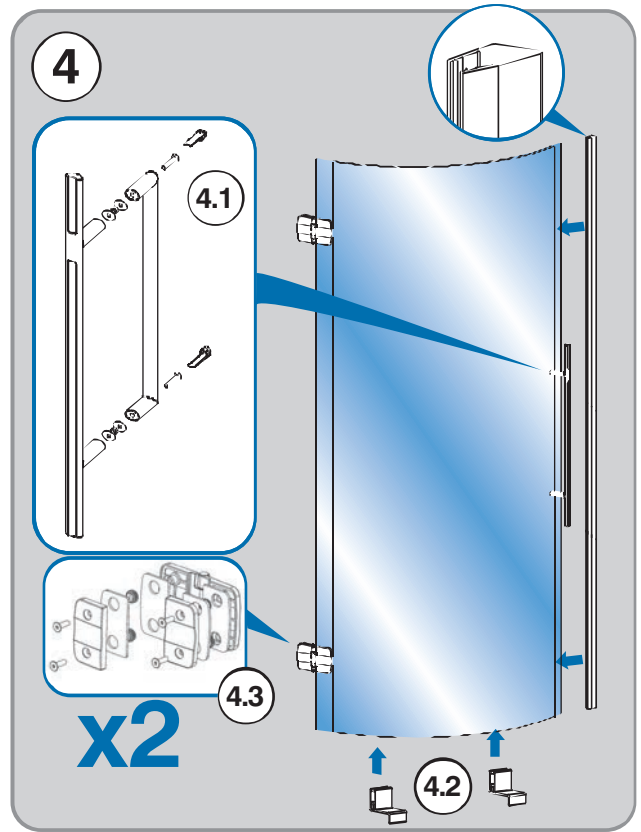
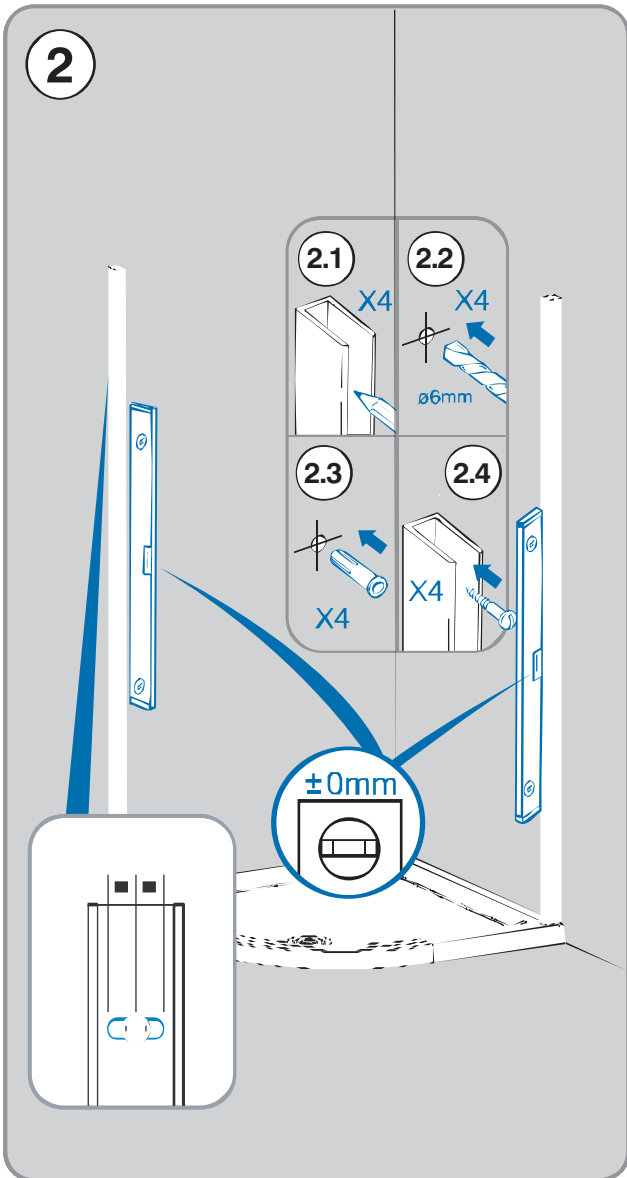
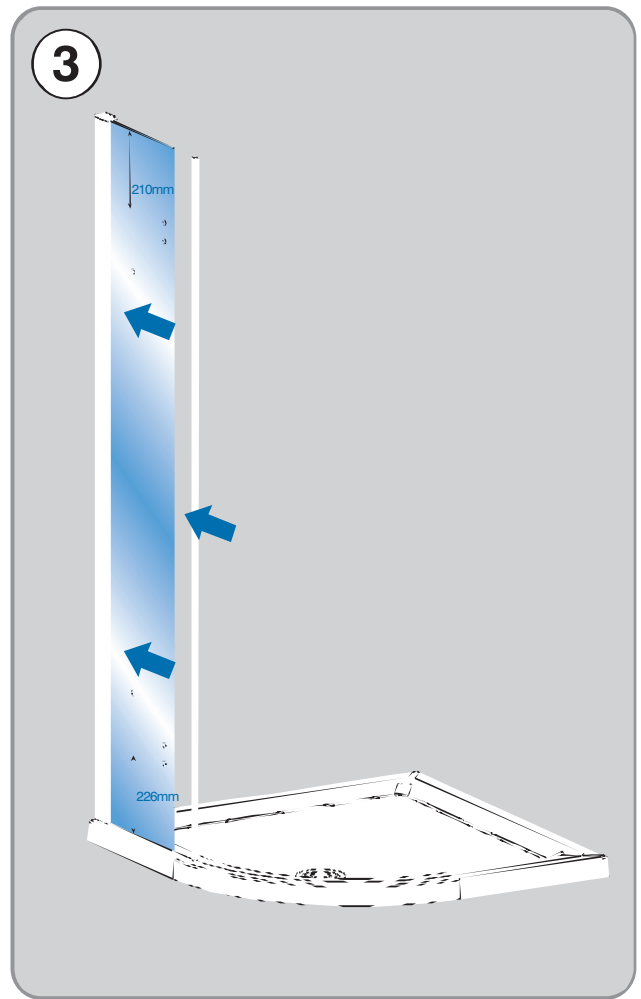
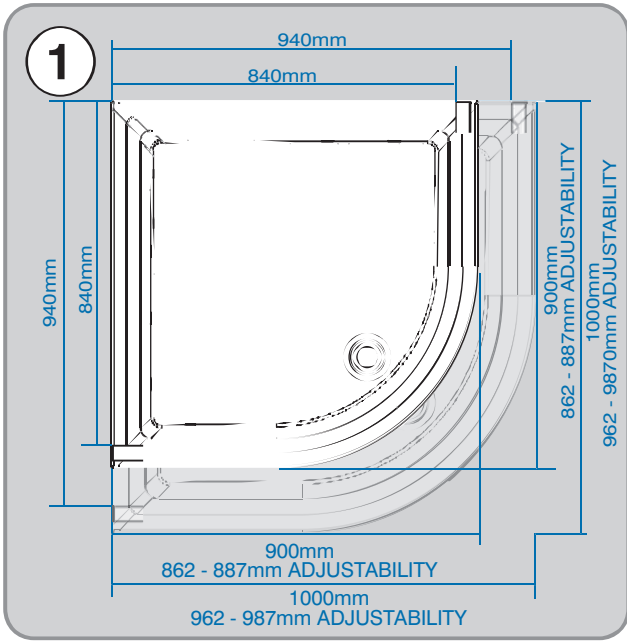
## BEFORE YOU START!

1. Ensure the correct dimensions are available on the top of the tray to fit the product – enclosure size ranges are printed on the packaging label.
2. Check the contents of packages against parts listing to ensure that all parts are present.
3. Have the correct tools available as specified.
4. Ensure the enclosure is fitted to non-porous surfaces.
5. Ensure the shower tray is fitted to manufacturer's instructions and is level where the enclosure will be located.
6. Silicone seal the tray to tiles/back walls before enclosure installation. Where ceramic tiles are used ensure joints are fully grouted before fitting the product.

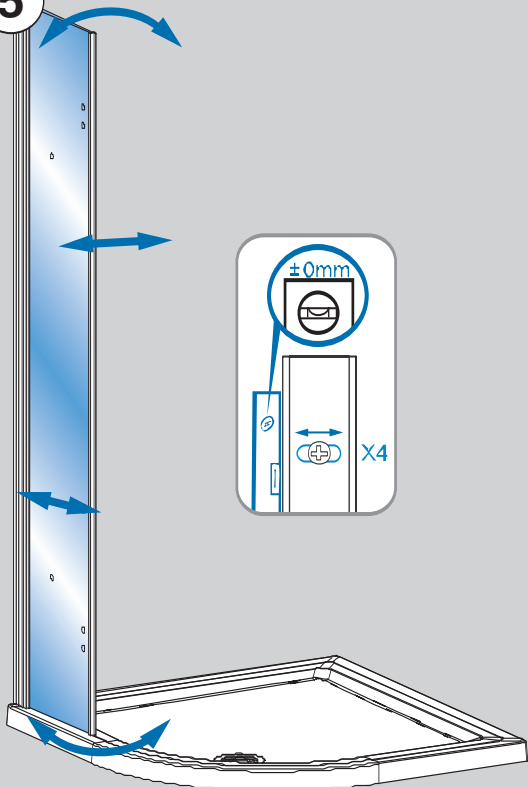


**0870 241 6131**

LINES OPEN: 8.30am - 5.00pm MONDAY - FRIDAY  
STANDARD NATIONAL CALL CHARGE RATE  
FROM BT LANDLINES

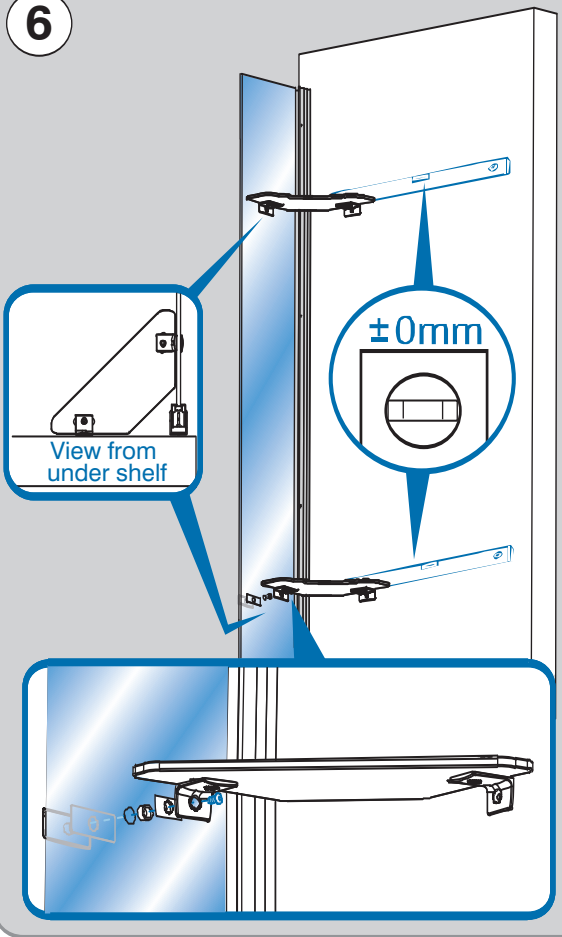


5

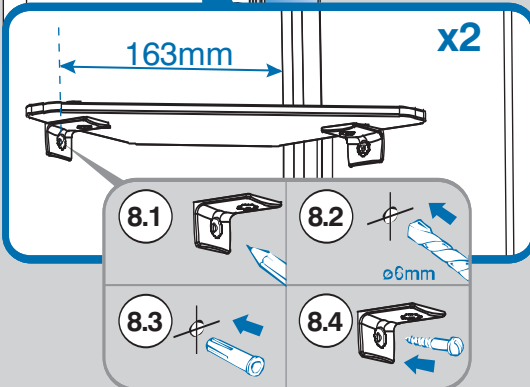


ADJUSTABLE HORIZONTAL SCREW SLOT

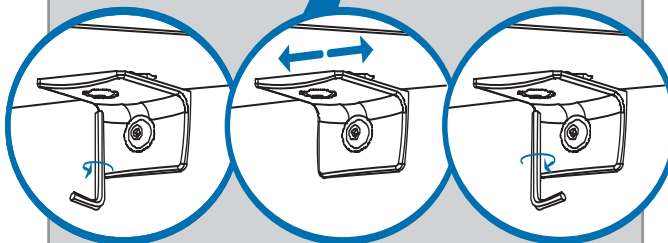
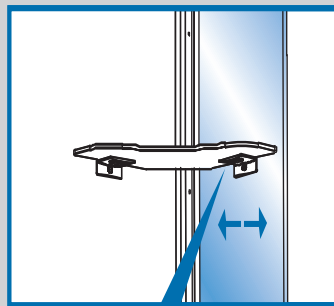
6



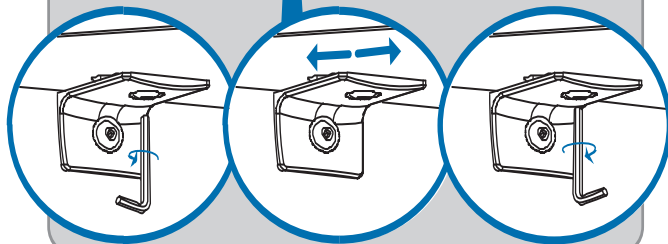
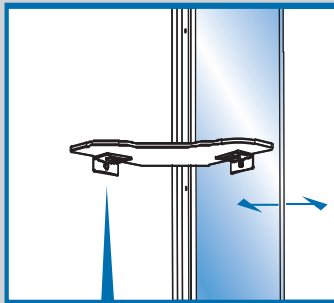
7



8.1

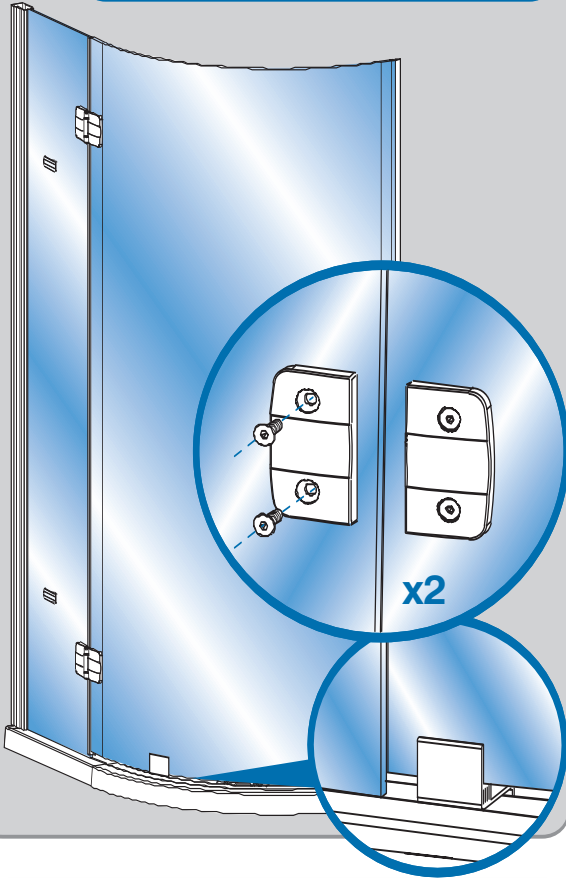


8.2

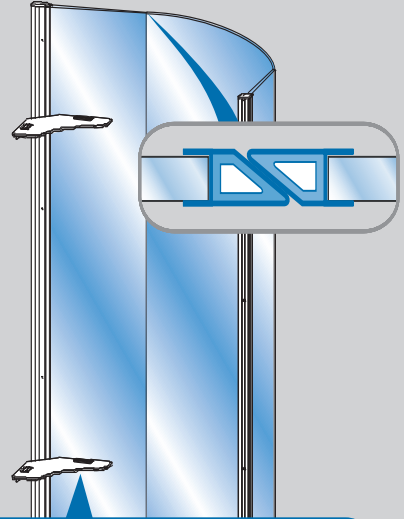


9

**USE SUPPORT BLOCKS.  
TAKE CARE WHEN  
HANDLING THE DOOR  
UNTIL FULLY SECURED.**

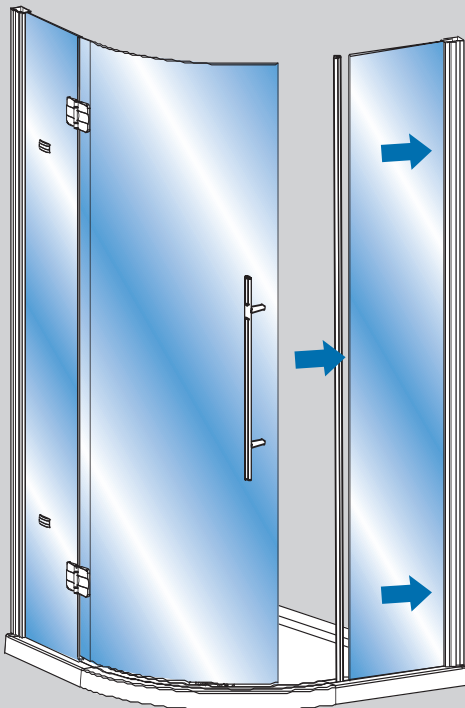


11

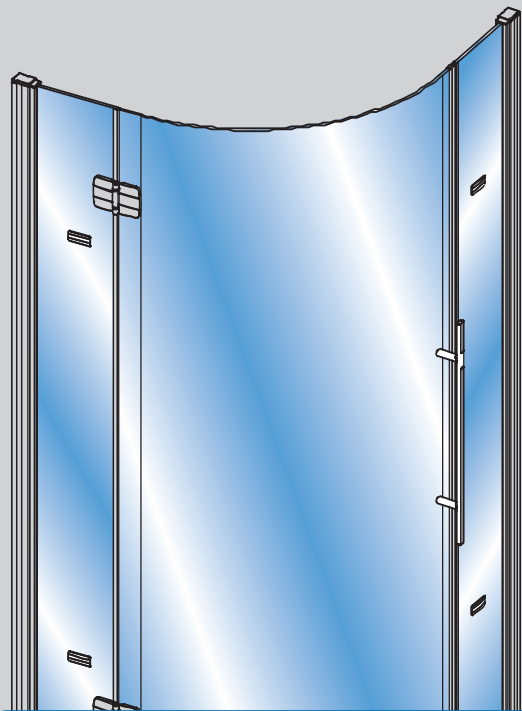


**PLEASE REFER TO FIGS  
6, 7 & 8 FOR SHELF  
FIXING AND ADJUSTMENT**

10

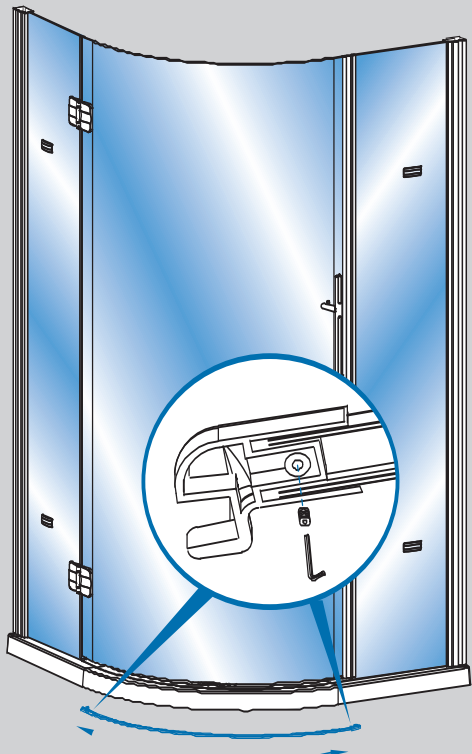


12

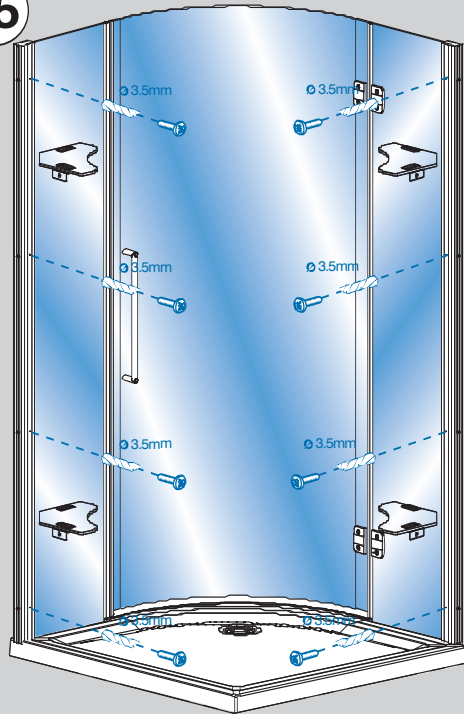


**ENSURE MAGNET SEALS JOIN CORRECTLY  
— IF SEALS MISSALIGN  
(i.e sealing at the top & not at the bottom)  
ADJUST MAGNET STRIP USING THE  
ADJUSTABLE HORIZONTAL SCREW SLOTS  
AS SHOWN IN FIG 5**

13

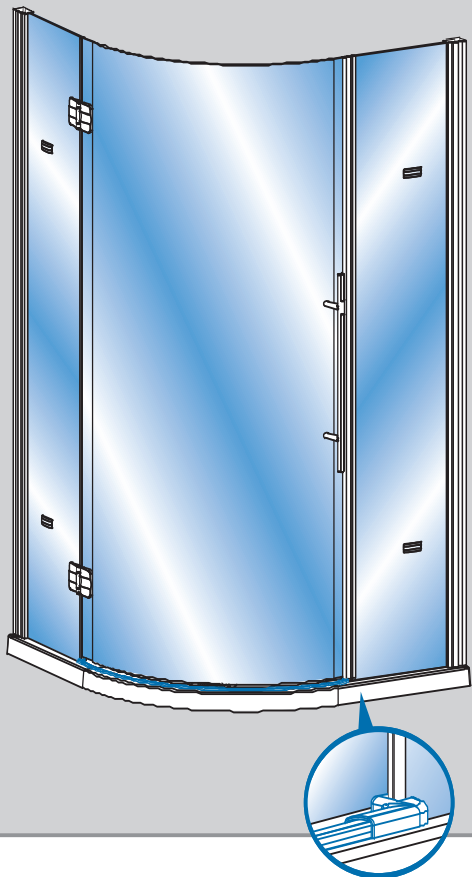


15



CHECK DOOR STILL CLOSES & SEALS  
CORRECTLY THEN DRILL AND  
SCREW IN REMANING WALL  
CHANNEL SCREWS

14





**plumbworld**  
**Big brands, small prices.**

Pdf Supplied By <http://www.plumbworld.co.uk/>