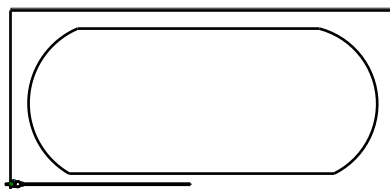
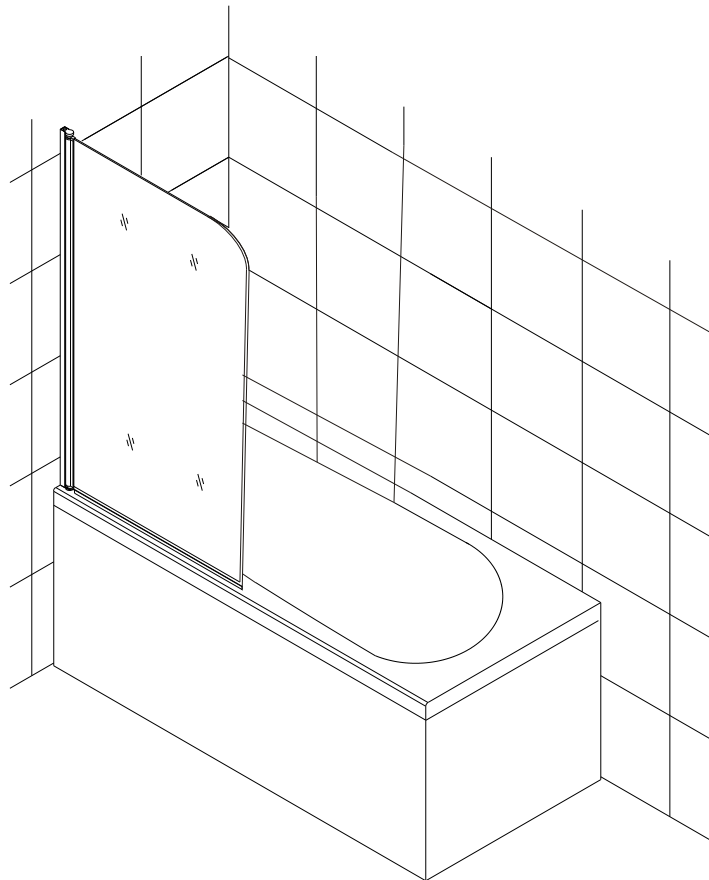


BATH SCREEN

INSTALLATION MANUAL

	GFESBA0006-12-01	800x1400mm
	GFESBA0006-95-01	



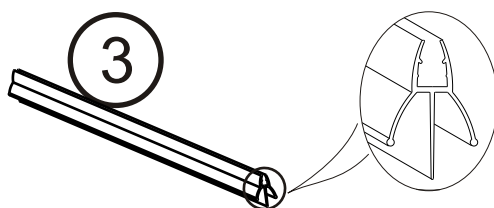
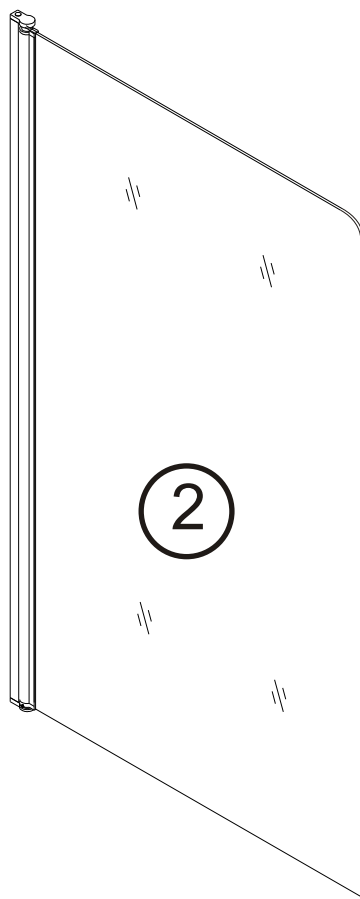
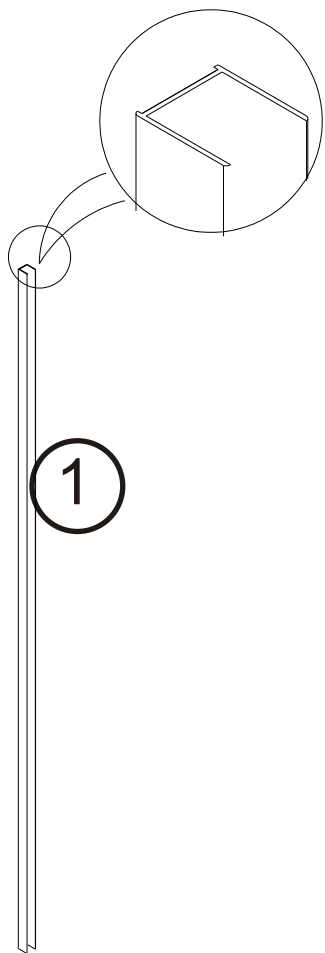
LEFT



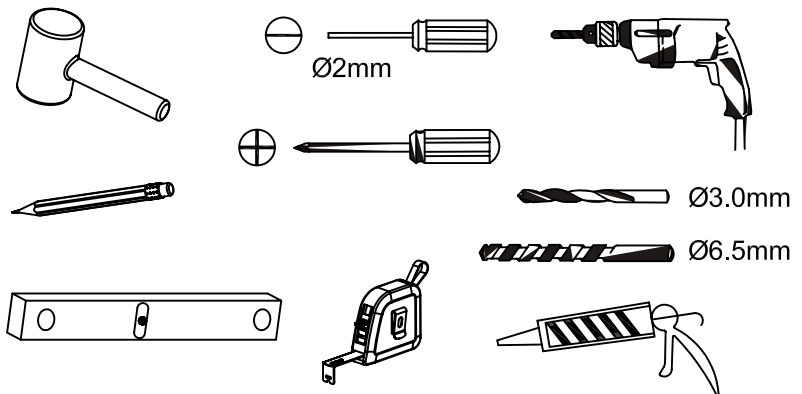
RIGHT




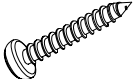
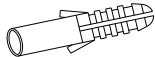
INSTRUCTION FOR ASSEMBLY

INSTALLATION AND USE

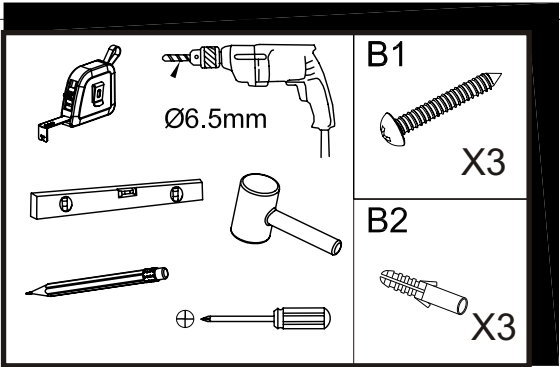


■ You will need



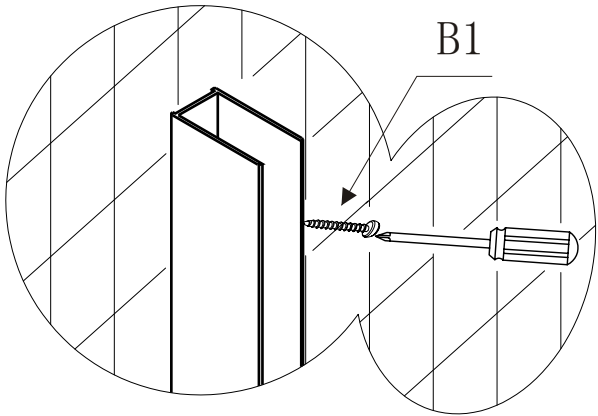
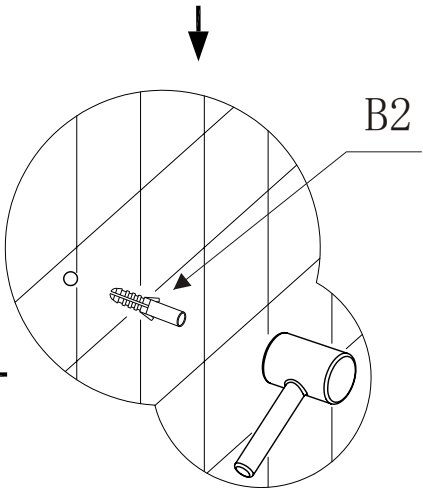
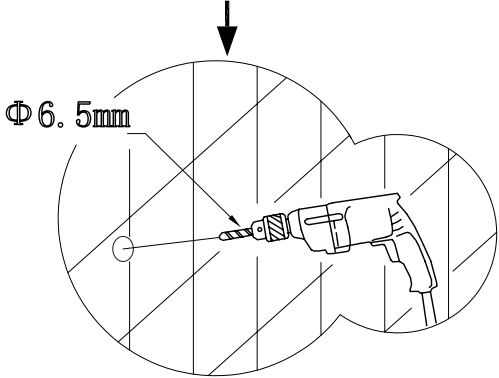
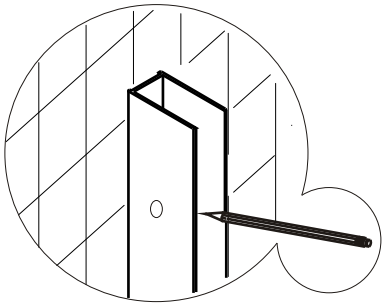
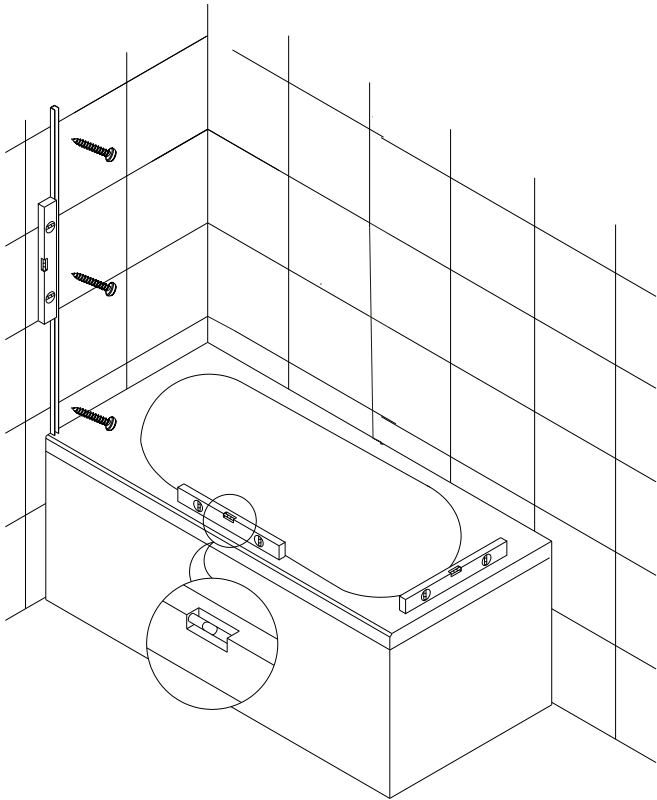
A1		X3
A2		X3
A3	 ST4X12	X3
B1	 ST4X35	X3
B2		X3

1

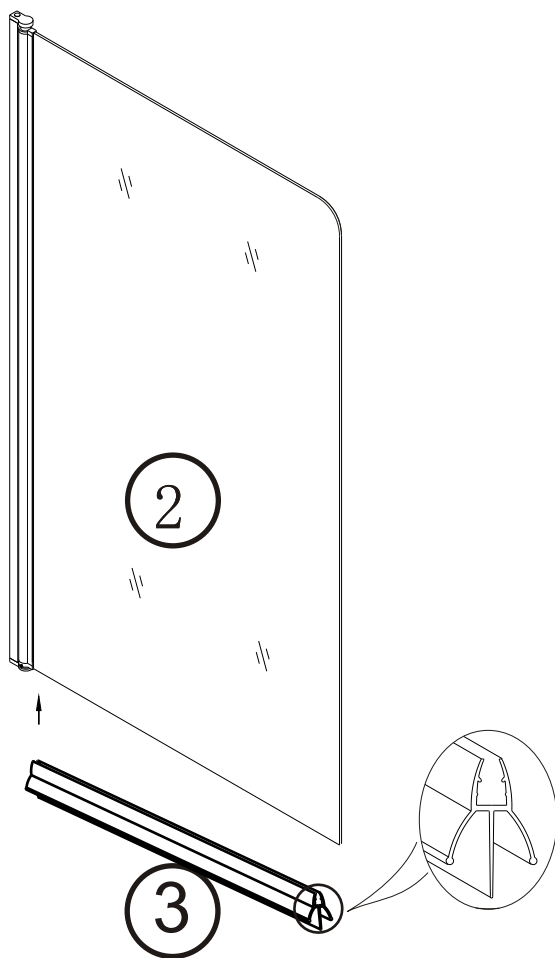


Tools and parts list for step 1:

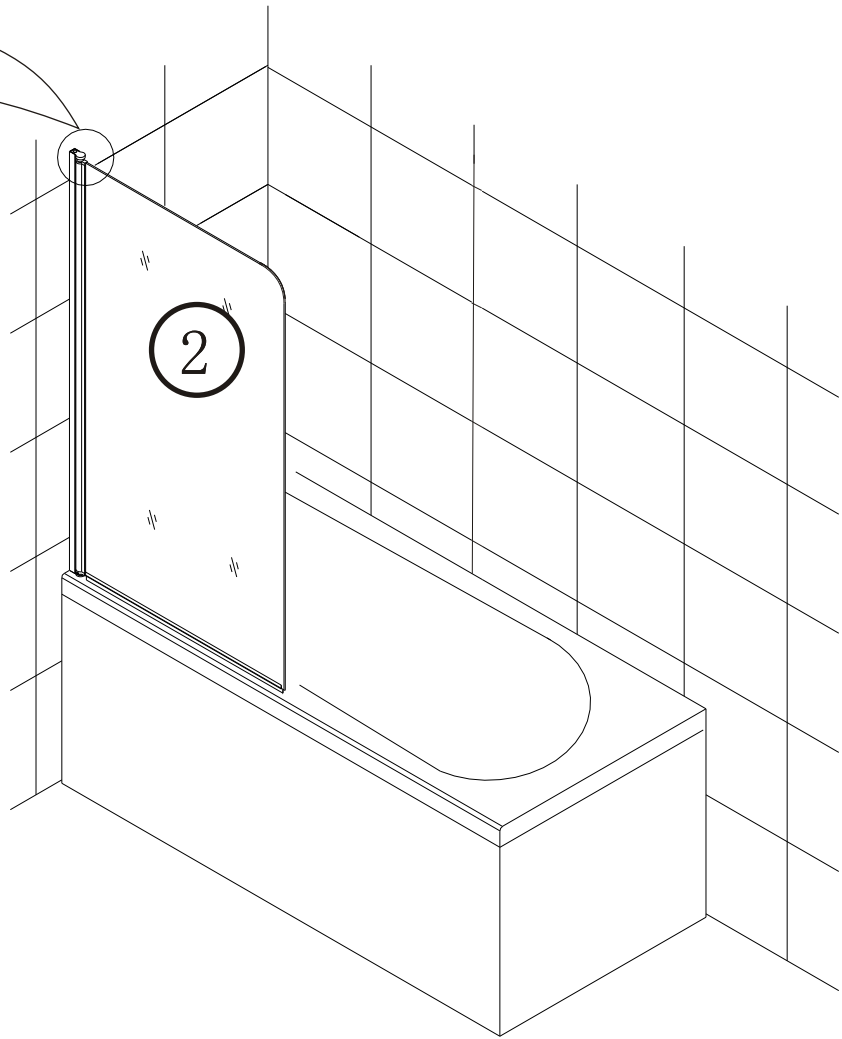
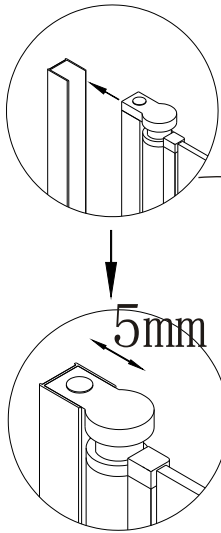
- Measuring tape
- Drill with bit (Ø6.5mm)
- Level
- Hammer
- Pencil
- Screwdriver
- Part B1 (Screw) X3
- Part B2 (Washer) X3



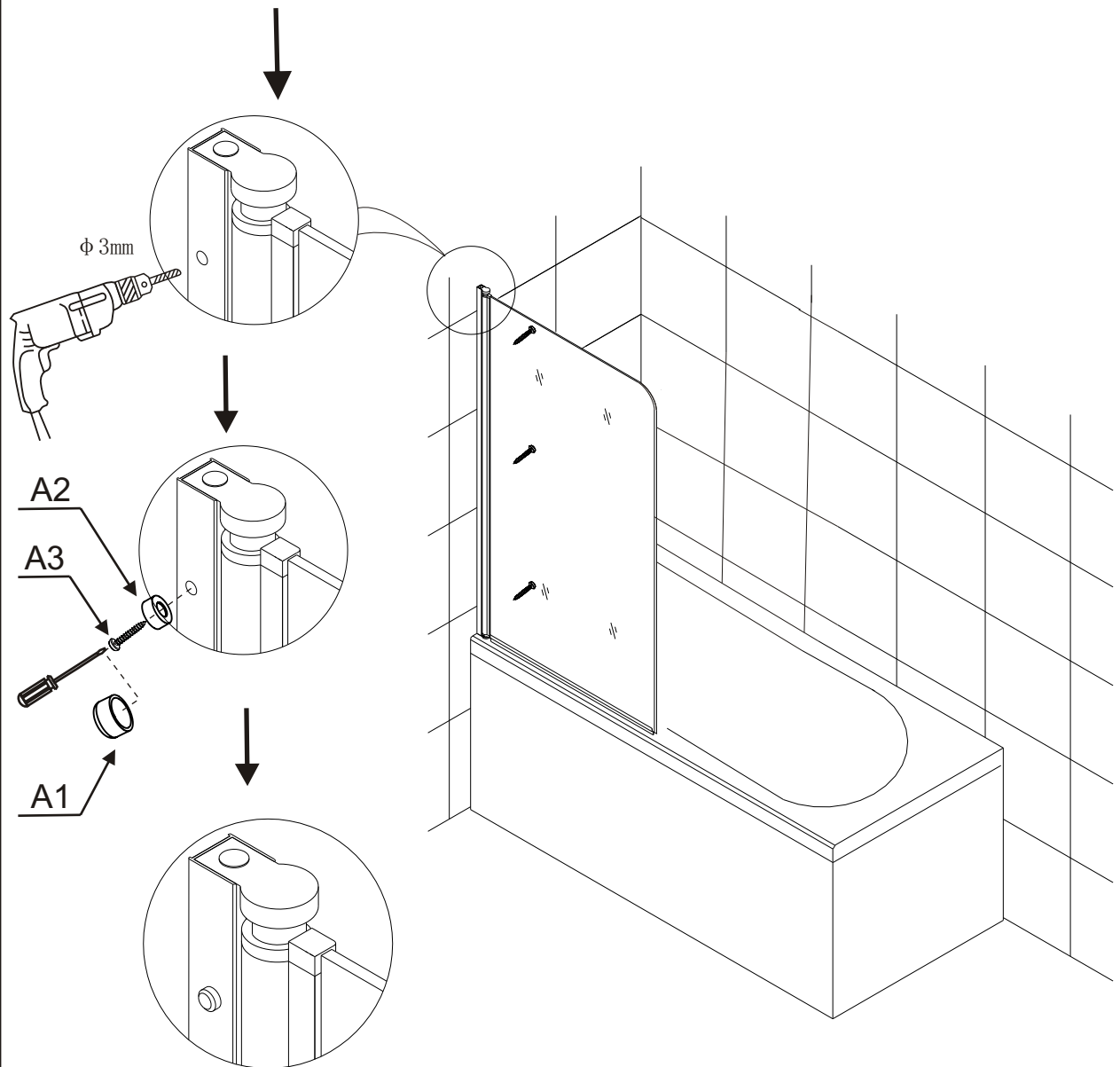
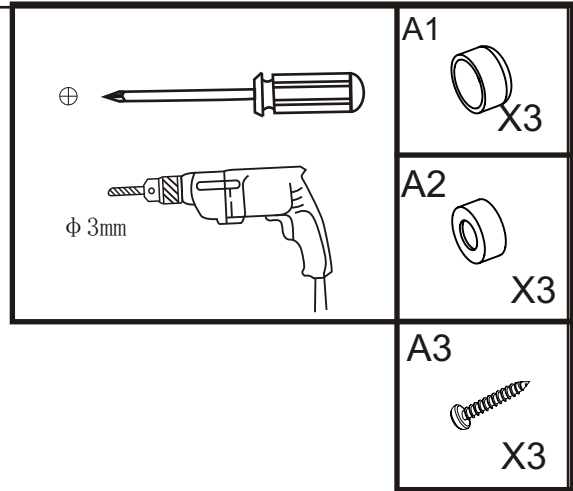
2



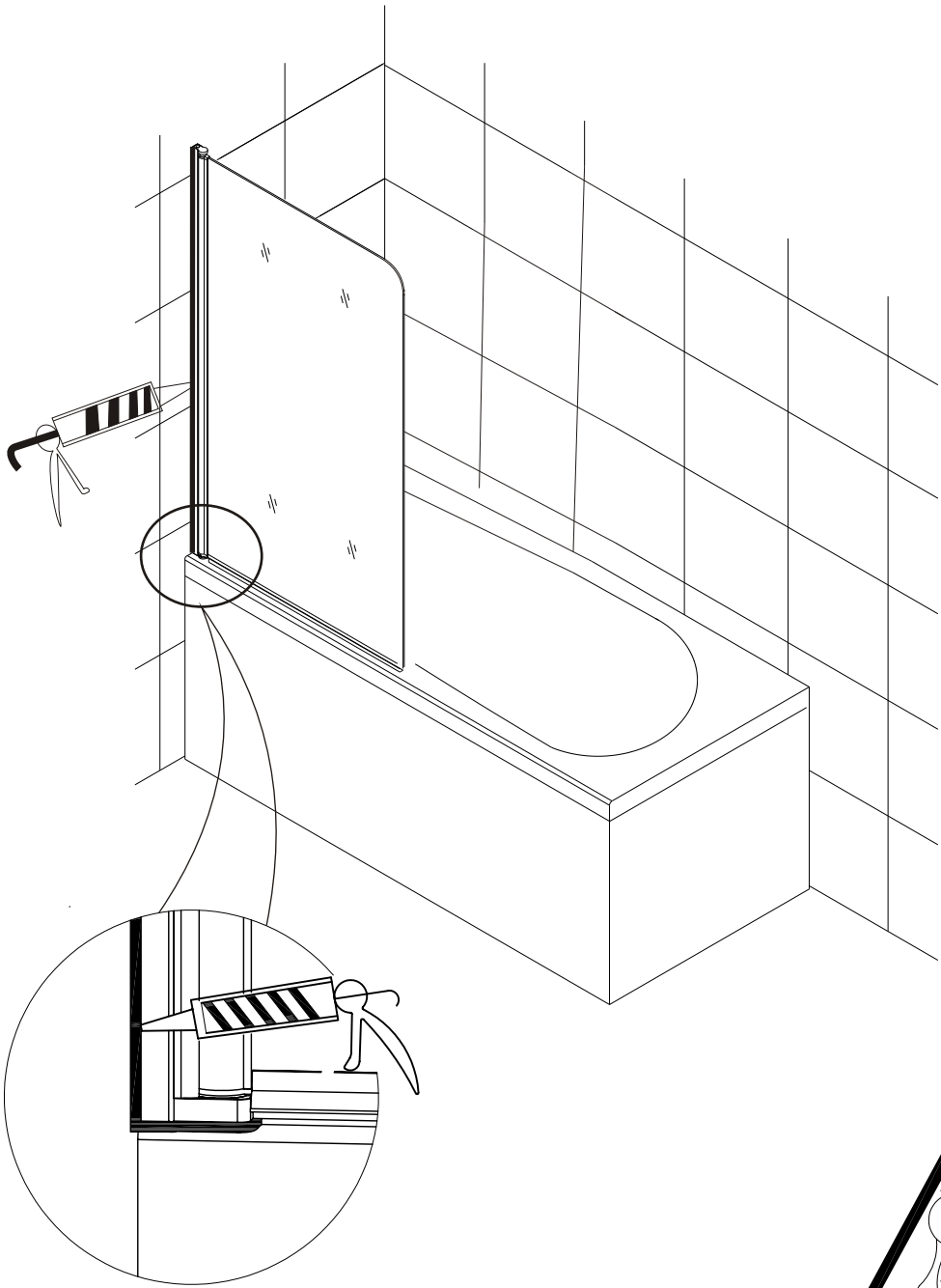
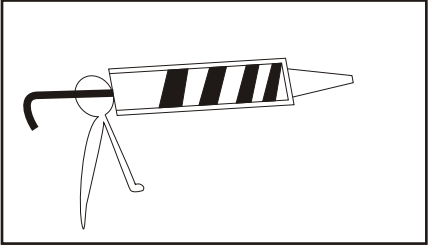
3



4



5



plumbworld
Big brands, small prices.

Pdf Supplied By <http://www.plumbworld.co.uk/>