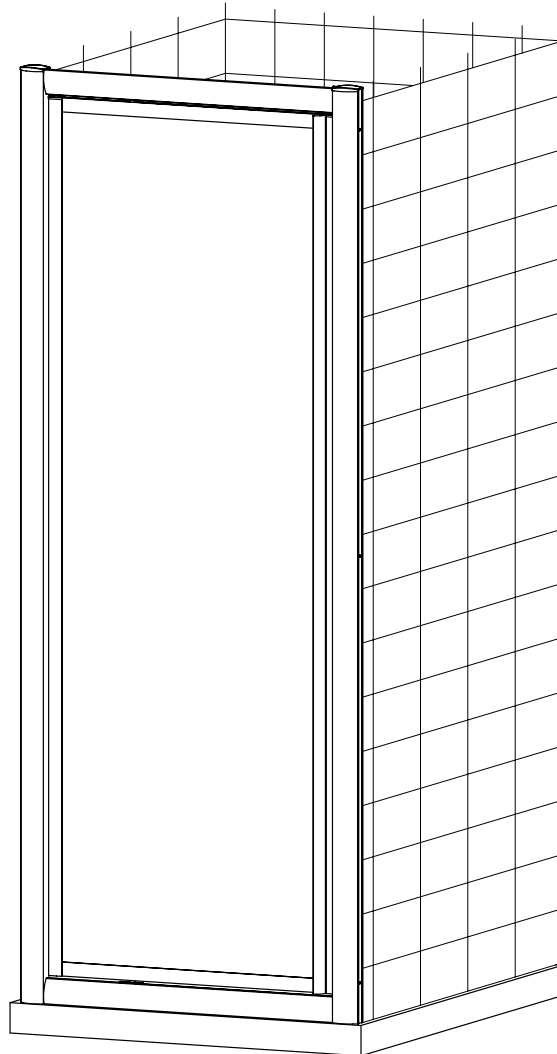




PD2 PIVOT DOOR  
INSTALLATION MANUAL



INSTRUCTIONS FOR ASSEMBLY,  
INSTALLATION AND USE

## TABLE OF CONTENTS

### **Part A: Pivot Door Installation**

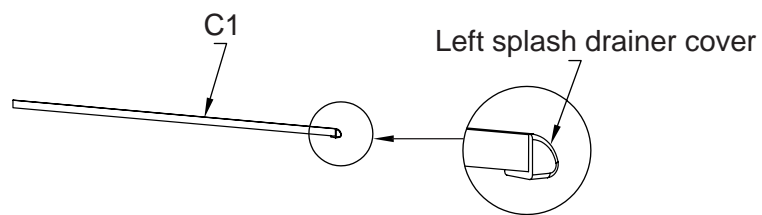
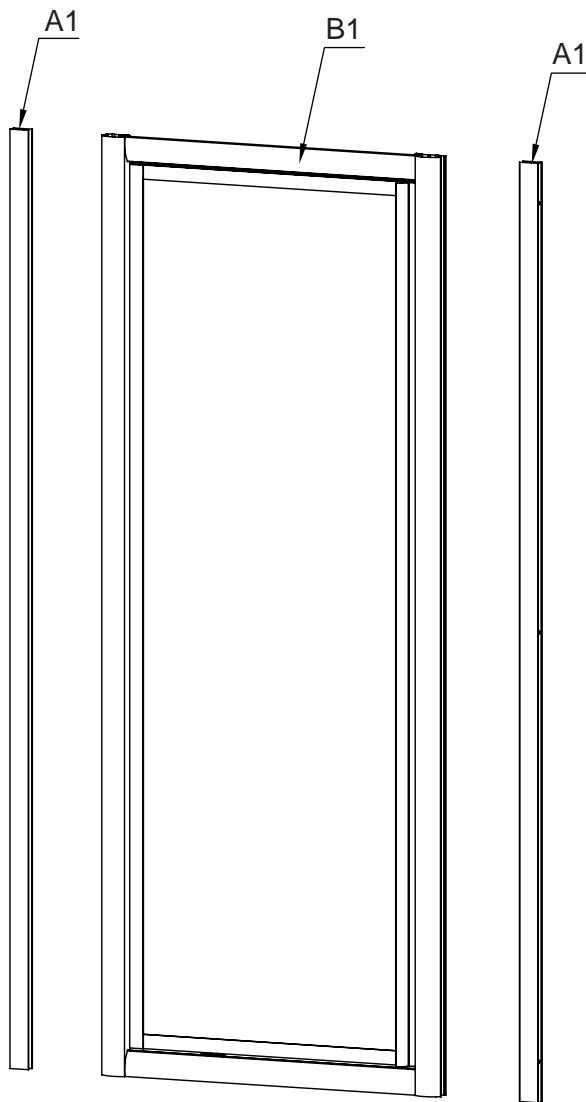
Pivot Door Specifications and Contents.....	2
Fixing Kit and Contents.....	3
Tools Required (Not Supplied).....	4
Pre-installation and Technical Requirements, Important Safety Notes and Aftercare Instructions.....	5
Shower Tray Assembly.....	6
General Description.....	7
Wall Profile Assembly.....	8
Movable Glass Door Assembly.....	9-10
Splash Drainer Assembly.....	11
Profile Caps Assembly.....	12

### **Part B: Shower Enclosure Installation**

Enclosure Specifications and Contents.....	13
Fixing Kit and Contents.....	14
Side Panel Specifications and Contents.....	15
Tools Required (Not Supplied).....	16
Pre-installation and Technical Requirements, Important Safety Notes and Aftercare Instructions.....	17
Shower Tray Assembly.....	18
General Description.....	19
Wall Profile Assembly.....	20
Movable Glass Door Assembly.....	21
Door Profile Assembly.....	22
Side Panel Assembly.....	23
Movable Glass Door & Side Panel Set Assembly.....	24
Splash Drainer Assembly.....	25
Profile Caps Assembly.....	26

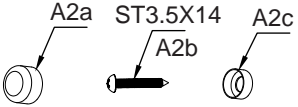





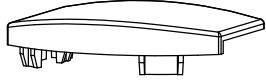

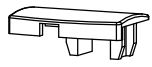
**BOX 1 / 1**

**PIVOT DOOR SPECIFICATIONS AND CONTENTS**



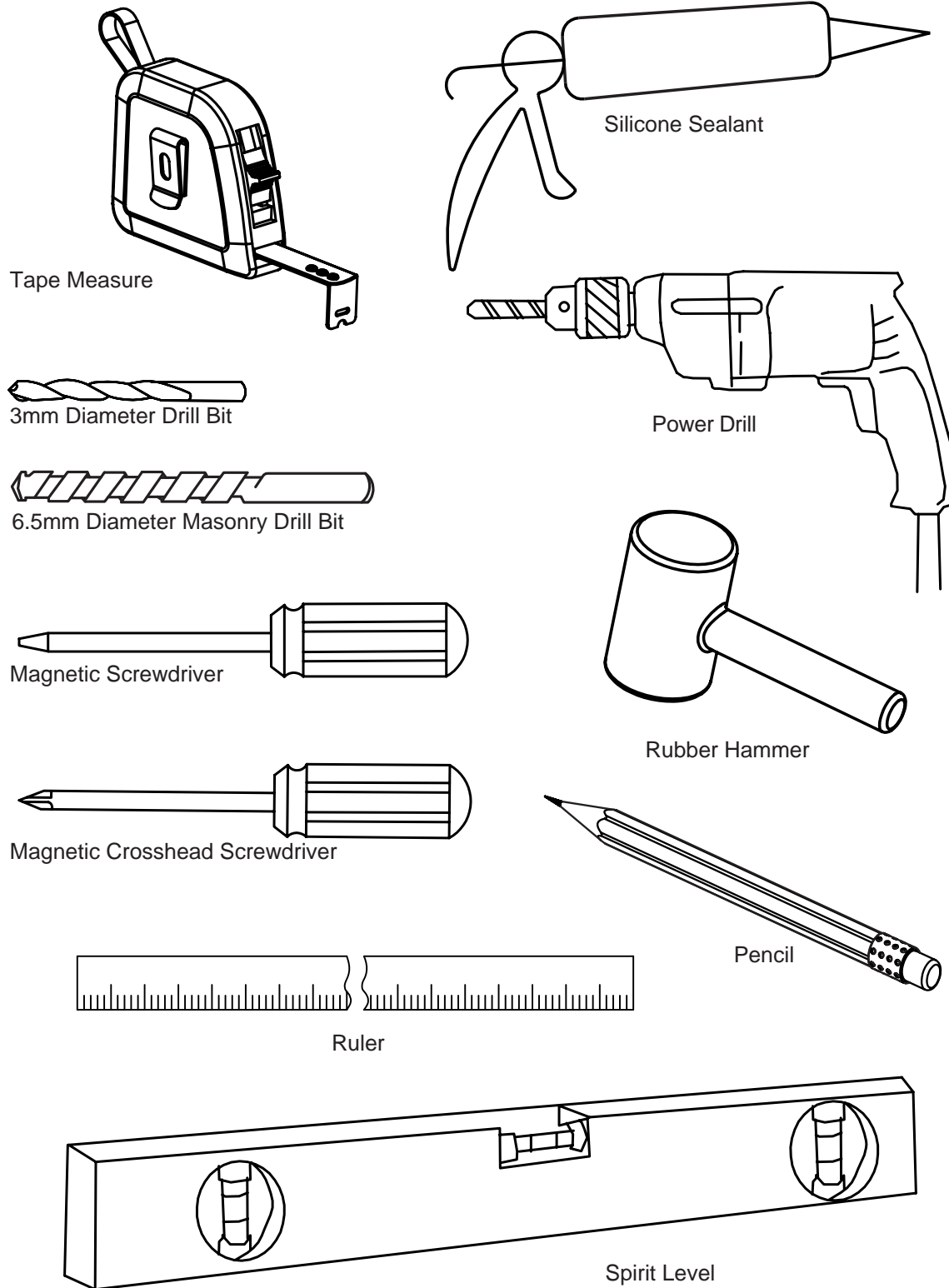
Ref	Content	Qty	Ref	Content	Qty
A1	Wall Profile	2	C1	Splash Drainer (including 1 left splash drainer cover)	1
B1	Movable Glass Door	1			

**FIXING KIT AND CONTENTS**

<b>Ref</b>	<b>Content</b>	<b>Illustration</b>	<b>Qty</b>
A2	Screw Cap set		6
B2	Cover		3
C2	Right Splash Drainer Cover		1
D2	Screw ST4.2x35		6
E2	Wall Plug		6
F2	Left Profile Cap		1
G2	Right Profile Cap		1
H2	Left Door Profile Cap		1
I2	Right Door Profile Cap		1

## TOOLS REQUIRED (NOT SUPPLIED)

-When you're ready to start, make sure that you have the following tools to hand, plenty of space and a clean dry area for assembly.  
Two people are needed. Please note: although these instructions are comprehensive, we always recommend that a technically competent installer should undertake installation.



### **PRE-INSTALLATION AND TECHNICAL REQUIREMENTS**

- All dimensions are shown in millimeters, except where otherwise indicated.
- Ensure that the enclosure set is fitted to a level floor and vertical wall surface.

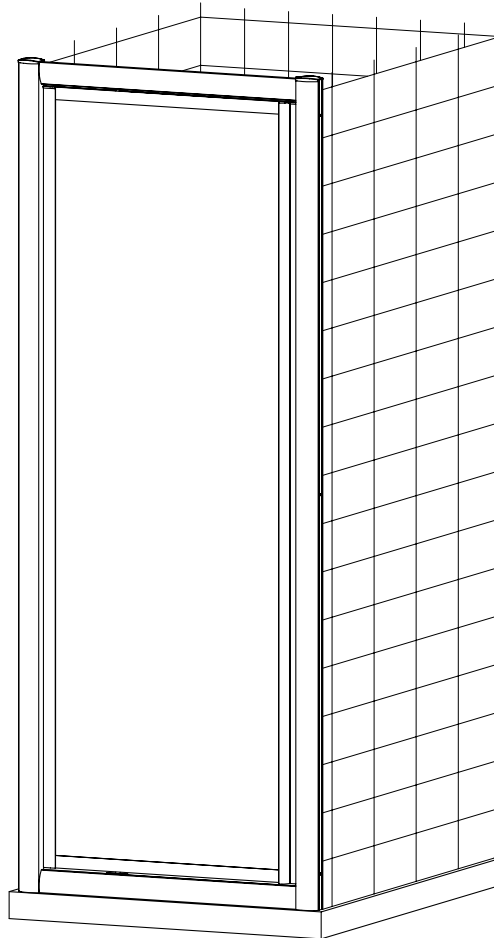
Please note: The wall fixings included with this product are suitable for solid walls only. Plasterboard or stud walls may require specialist fixings (not supplied).

### **IMPORTANT SAFETY NOTES**

- Please handle all glass with care, avoiding knocks and shock loading to all sides and edges. Safety glass cannot be reworked.
- Care should be taken when drilling into walls to avoid hidden pipes or electrical cables.

### **AFTERCARE INSTRUCTIONS**

- Soap and water will be adequate to clean the glass – a glass cleaner can be used if required.
- In hard water districts, insoluble lime salts may be deposited on the glass. If this deposit is allowed to build up it becomes increasingly difficult to remove and looks unsightly. Regular cleaning will minimise this effect.

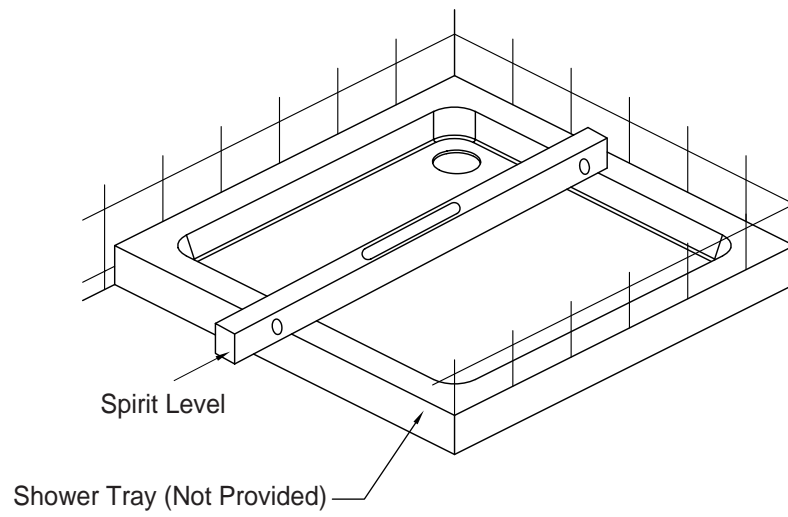


### SHOWER TRAY ASSEMBLY

Locate shower tray in the required position. Check with spirit level.

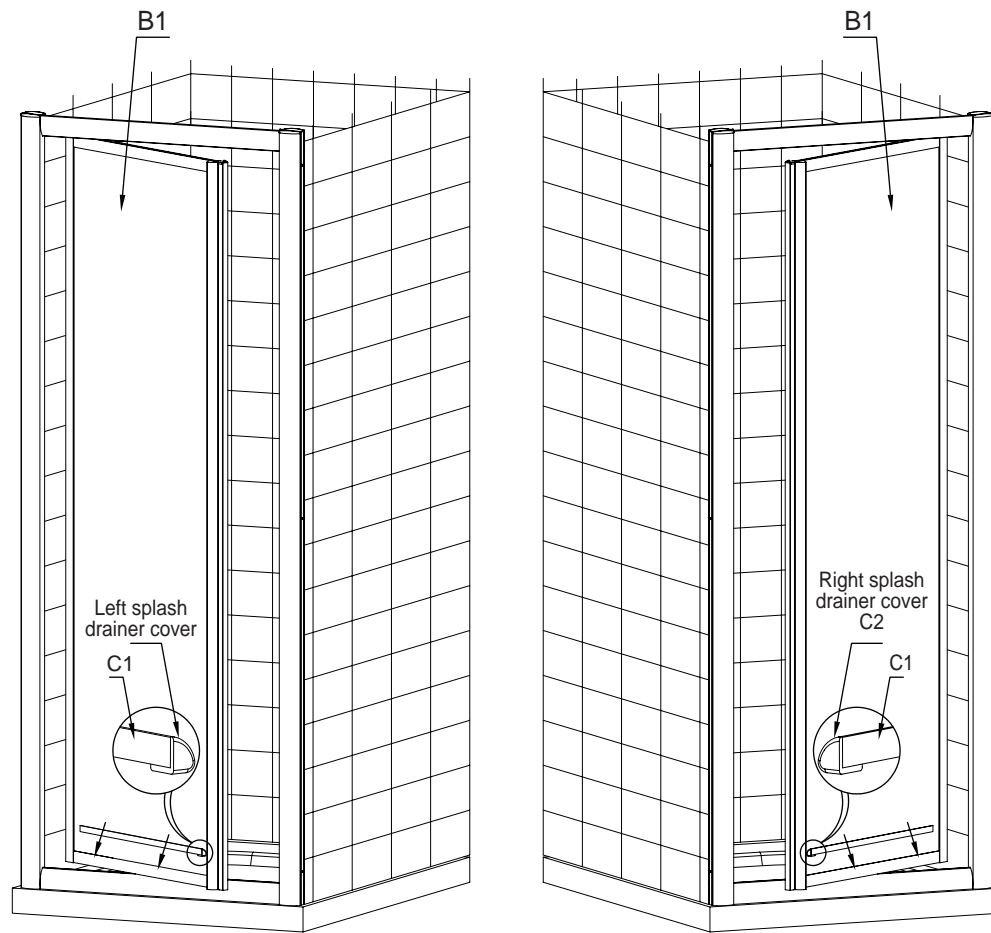
- Assemble waste in the tray and connect the drainage. Consult a plumbing professional if necessary.

Note: Shower tray and waste are not provided.  
Always check for leakage before final fitting.



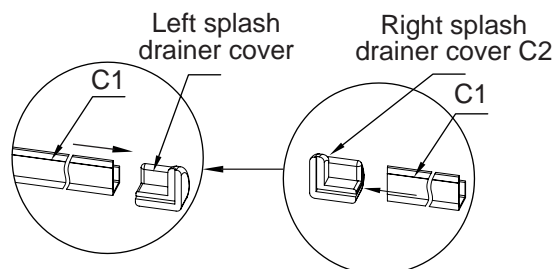
### GENERAL DESCRIPTION

- This pivot door is suitable for both right and left side opening.
- This installation manual is for left side opening.
- To install the door on right side opening, 180° reverse the movable glass door (B1) and change the splash drainer cover according to the diagram.



Left Side Opening  
Diagram 1

Right Side Opening  
Diagram 2

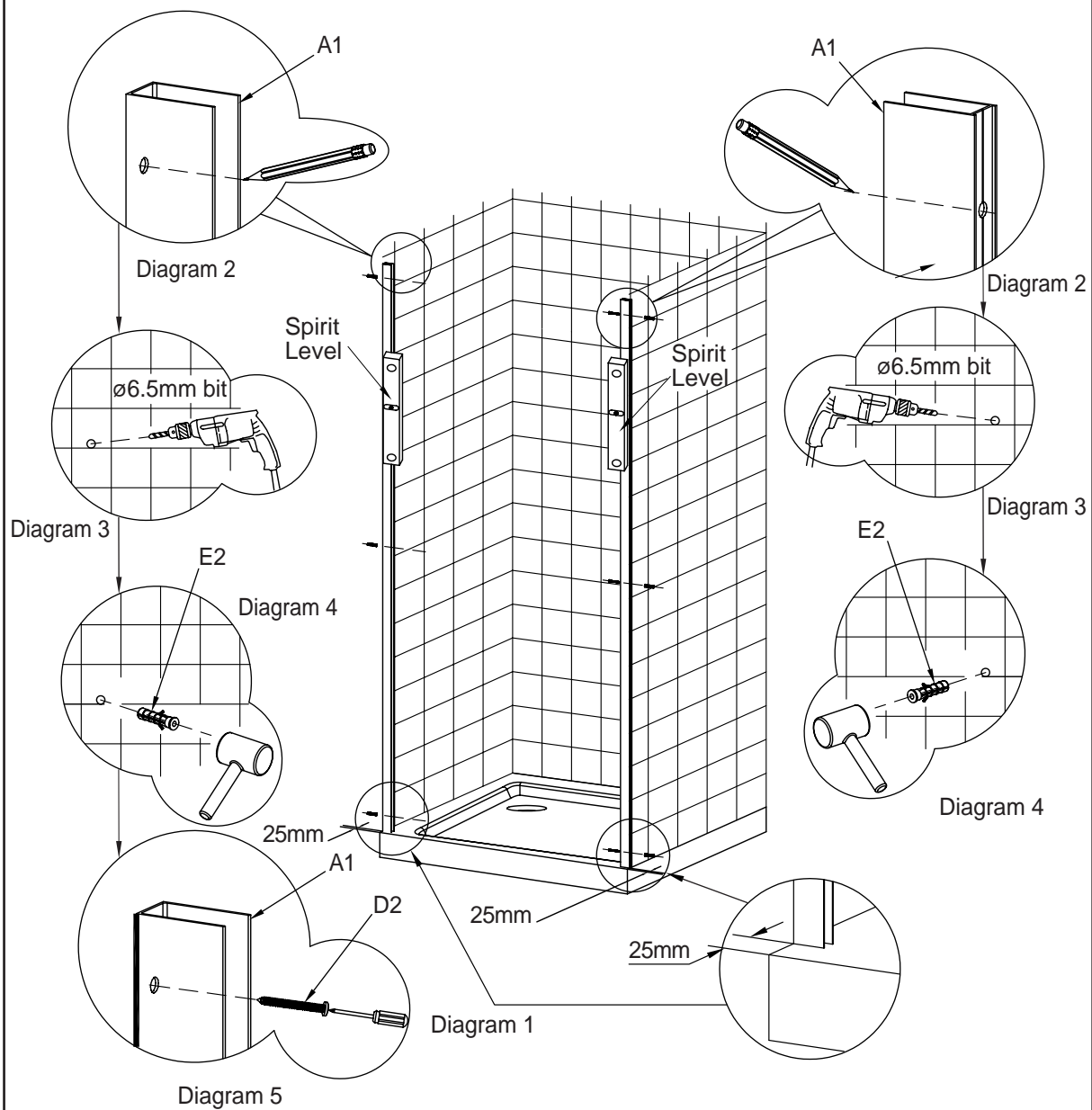




## WALL PROFILE ASSEMBLY

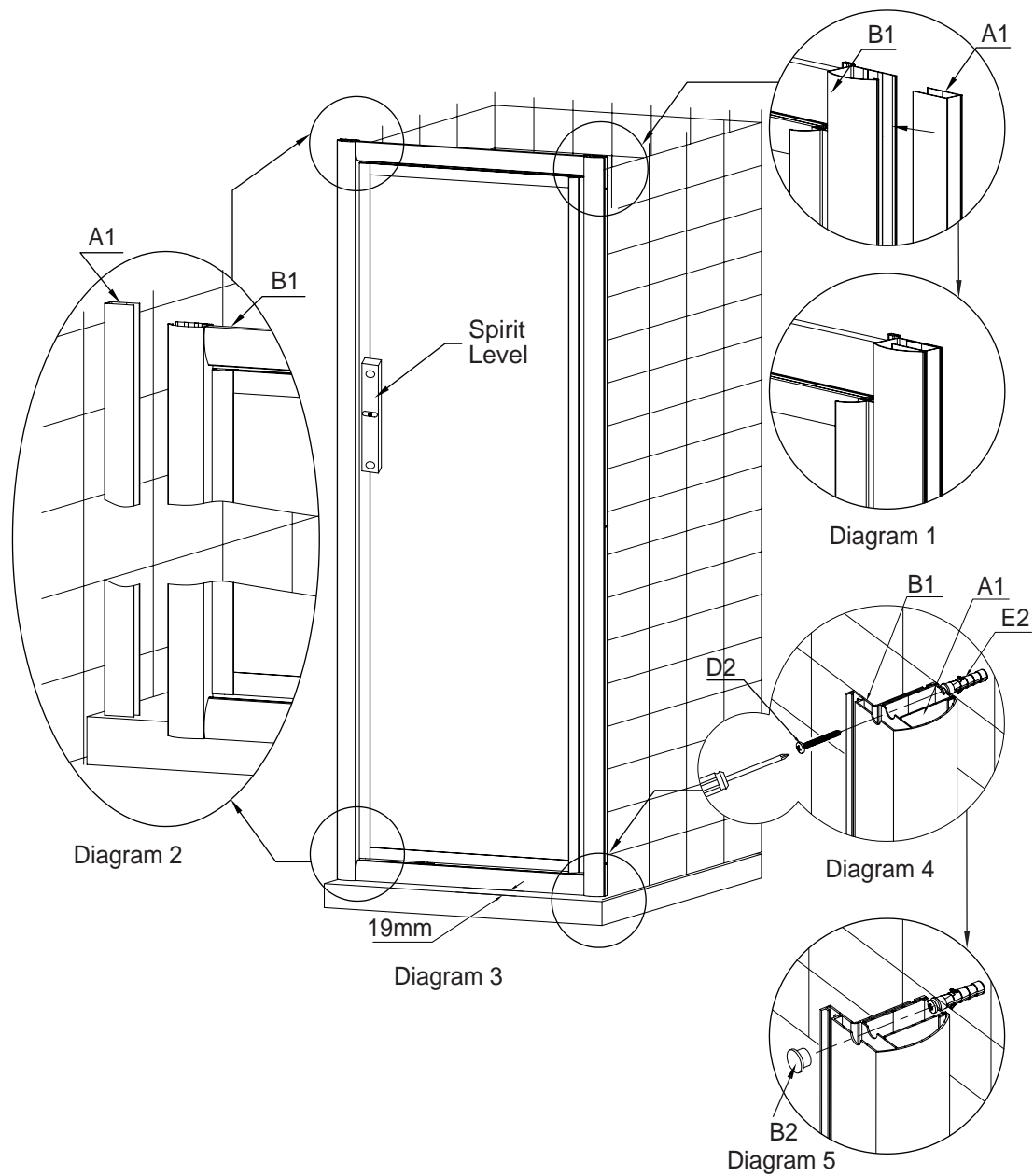
- Place the wall profiles (A1) at 25mm distance counted from the edge of the tray and check with spirit level (See diagram 1).
- Mark drill points via pre-drilled holes (See diagram 2).
- Take away the wall profiles (A1). Drill holes with  $\varnothing 6.5\text{mm}$  bit in 35mm depth. Insert wall plugs (E2) with rubber hammer (See diagram 3 & 4).
- Fix left wall profile (A1) with screws ST4.2x35 (D2) (See diagram 5).

Note: Please don't fix the right wall profile with screws in this moment.



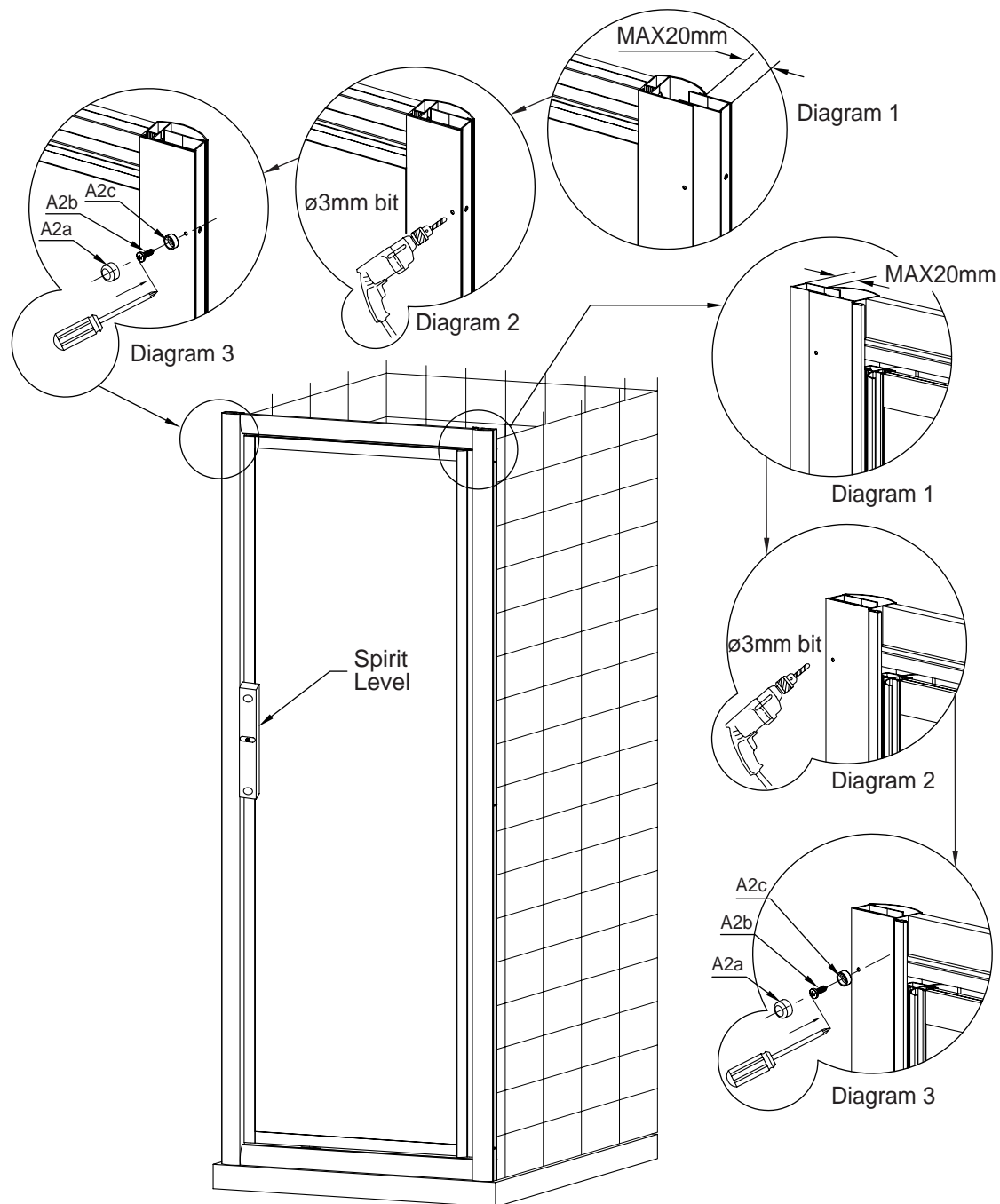
### MOVABLE GLASS DOOR ASSEMBLY

- Insert right wall profile (A1) into the movable glass door (B1) according to diagram 1.
- Plug the movable glass door (B1) into the left wall profile (A1) at 19mm distance counted from the edge of the tray and check with spirit level (See diagram 2 & 3).
- Fix the movable glass door (B1) via the pre-drill holes with screws ST4.2x35 (D2) (See diagram 4).
- Clip covers (B2) on (See diagram 5).



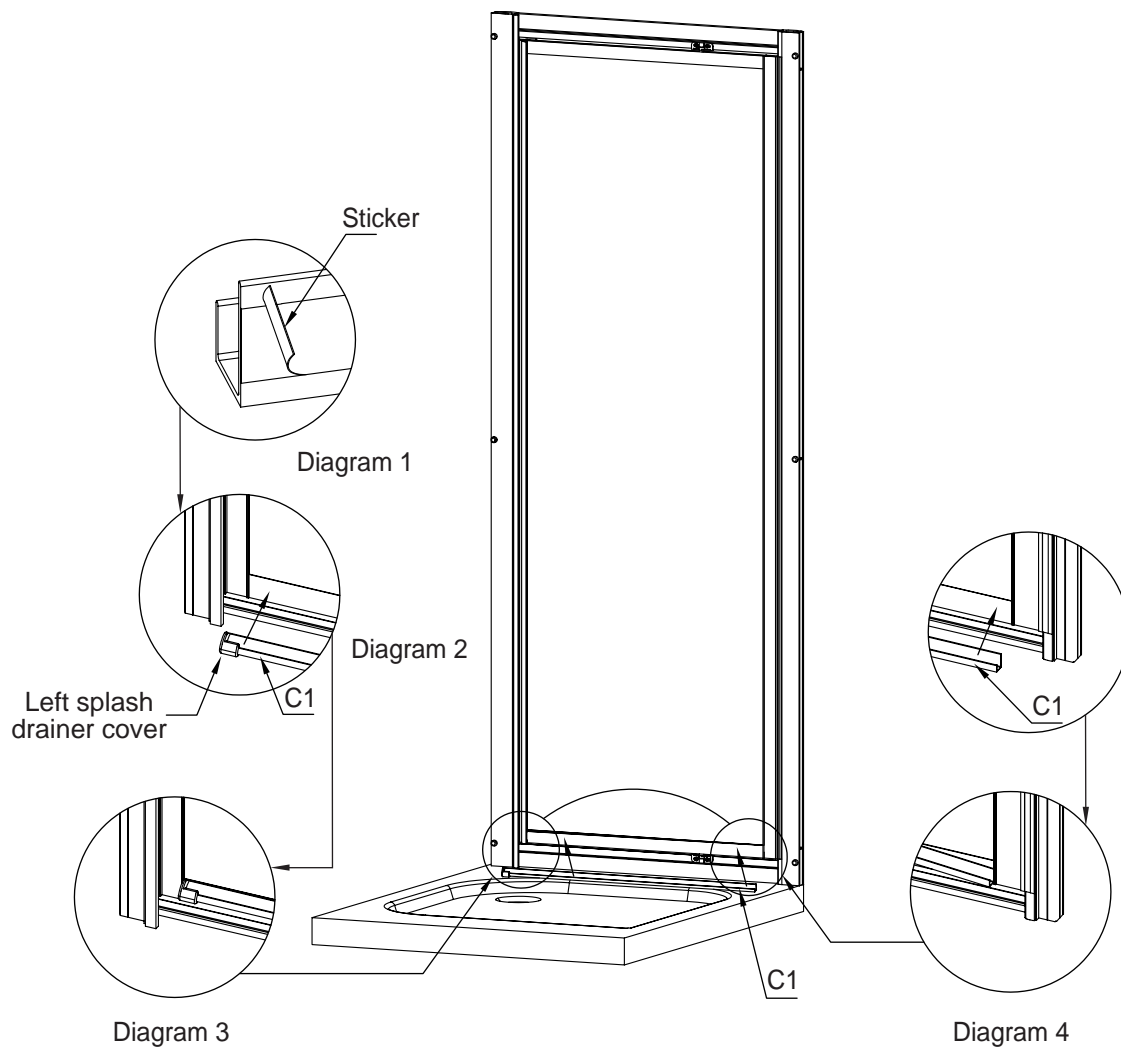
Note: There is maximum 20mm adjustable distance for out-of-true wall case. Check with spirit level (See diagram 1).

- Drill holes with  $\text{Ø}3\text{mm}$  bit in 5mm depth via the pre-drill holes of the profile (See diagram 2).  
Note: Please do not drill through the profile or otherwise it will damage the profile's surface.
- Fix it with screws ST3.5x14 (A2b) and screw caps (A2c) (See diagram 3).
- Clip screw covers (A2a) on (See diagram 3).



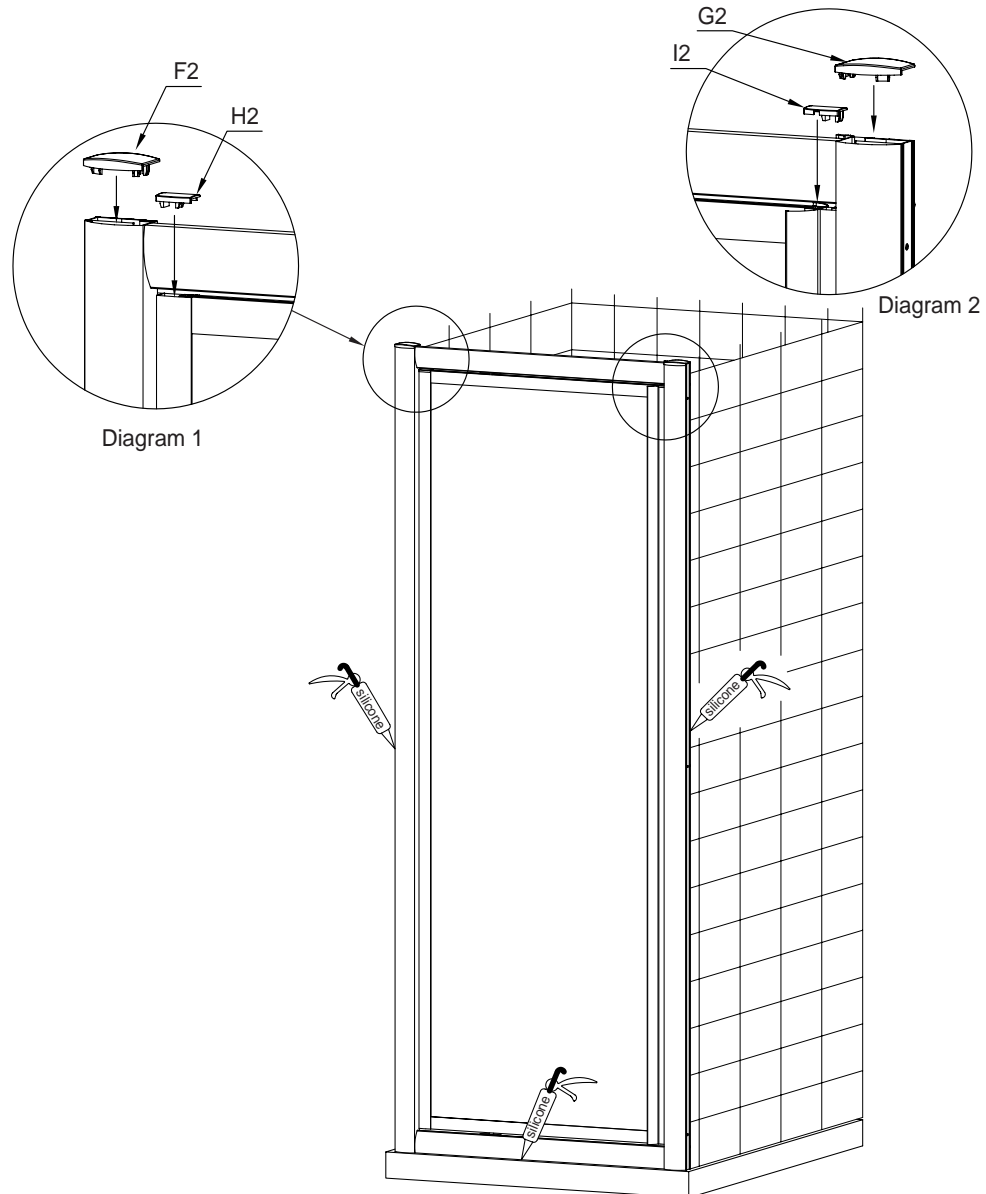
### SPLASH DRAINER ASSEMBLY

- Peel off the sticker from the back of the splash drainer (See diagram 1).
- Place the splash drainer (C1) on the required position as shown in diagram 2 & 3.  
Note: One side of the splash drainer must be placed downward as shown in diagram 4.



### PROFILE CAPS ASSEMBLY

- Clip profile caps (F2 and G2) and door profile caps (H2 & I2) and on the required position as shown in diagram 1 & 2.
  - Apply silicone to all the joints between walls, profiles, shower tray and under pivot door.
- Note: Do not use the pivot door for at least 24 hours in order to allow silicone to dry fully.

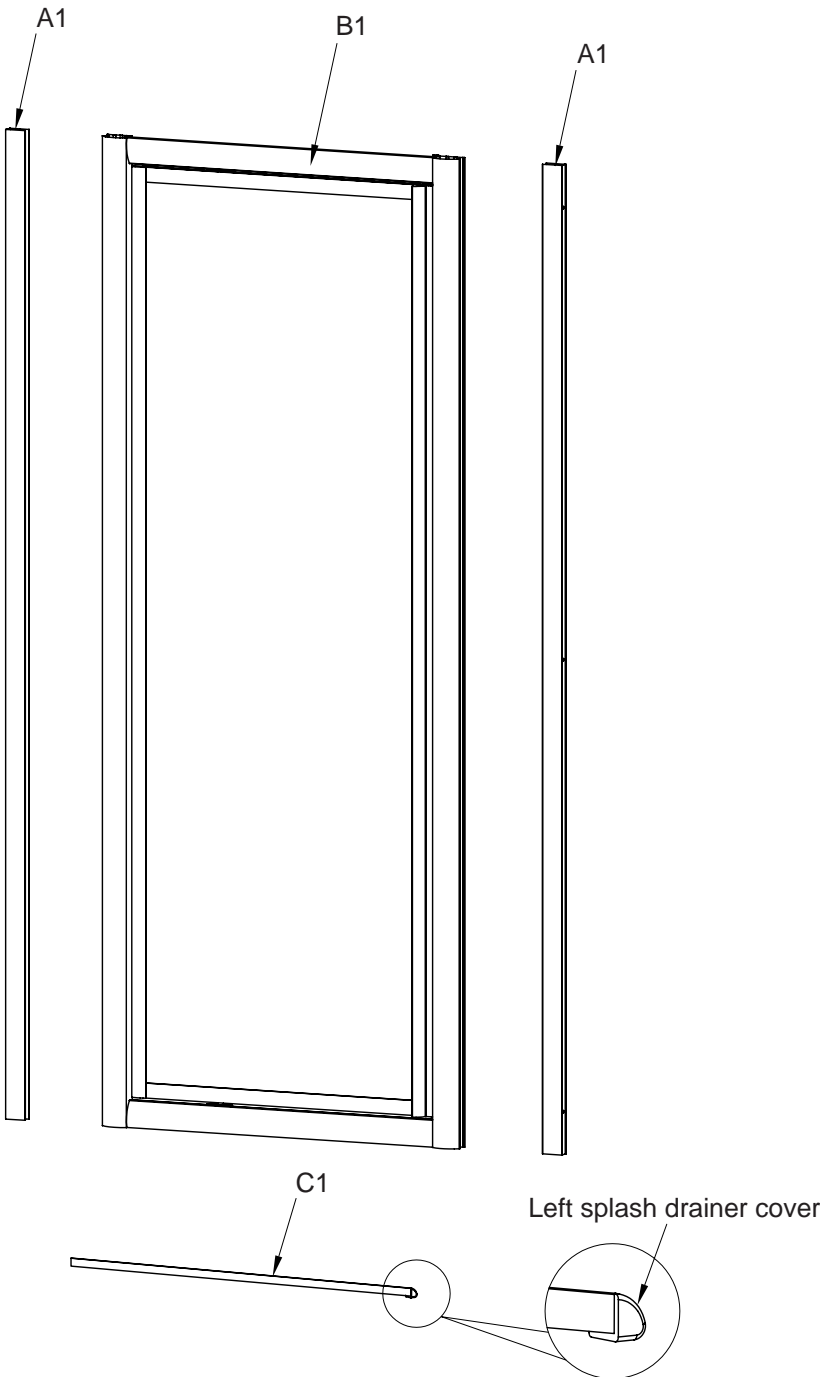


DO NOT USE THE PIVOT DOOR FOR  
AT LEAST 24 HOURS IN ORDER TO  
ALLOW SILICONE TO DRY FULLY.

- For further information, please contact Customer Services [customerservices@bathroombrands.co.uk](mailto:customerservices@bathroombrands.co.uk)

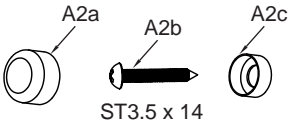




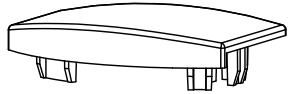

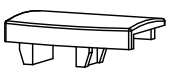
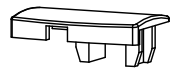
**BOX 1 / 2**

**PIVOT DOOR SPECIFICATIONS AND CONTENTS**



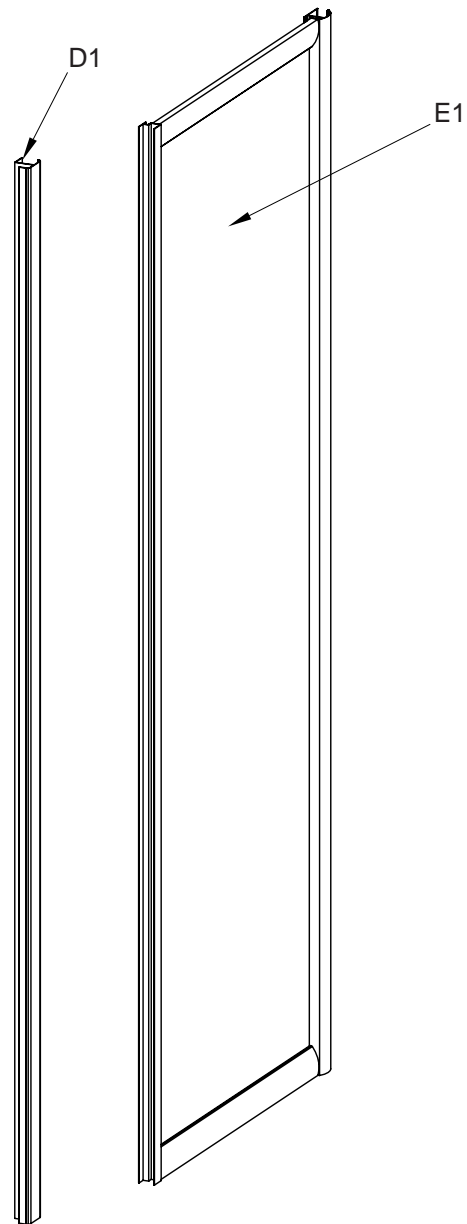
Ref	Content	Qty	Ref	Content	Qty
A1	Wall Profile	2	C1	Splash Drainer (including 1 left splash drainer cover)	1
B1	Movable Glass Door	1			

**FIXING KIT AND CONTENTS**

<b>Ref</b>	<b>Content</b>	<b>Illustration</b>	<b>Qty</b>
A2	Screw Cap set		6
B2	Cover		3
C2	Right Splash Drainer Cover		1
D2	Screw ST4.2x35		6
E2	Wall Plug		6
F2	Left Profile Cap		1
G2	Right Profile Cap		1
H2	Left Door Profile Cap		1
I2	Right Door Profile Cap		1

**BOX 2 / 2**

**SIDE PANEL SPECIFICATIONS AND CONTENTS**

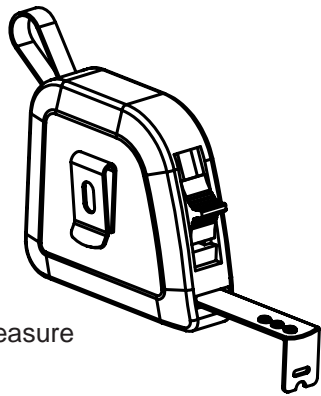


Ref	Content	Qty	
D1	Door Profile	1	
E1	Side Panel	1	
A2	A2a Screw Cover	2	<p>A2a    A2b    A2c ST3.5 x 14</p>
	A2b Screw ST3.5X14	5	
	A2c Screw Cap	2	
J2	Profile Cap	1	

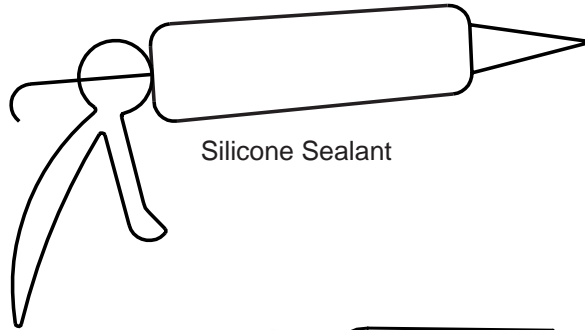


## TOOLS REQUIRED (NOT SUPPLIED)

-When you're ready to start, make sure that you have the following tools to hand, plenty of space and a clean dry area for assembly.  
Two people are needed. Please note: although these instructions are comprehensive, we always recommend that a technically competent installer should undertake installation.



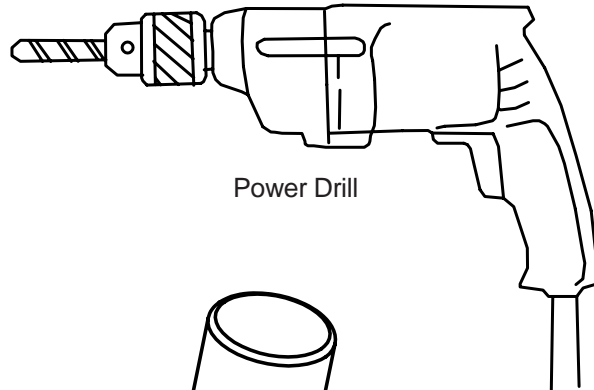
Tape Measure



Silicone Sealant



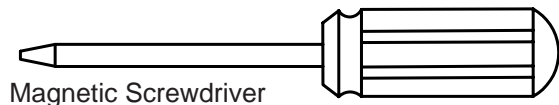
3mm Diameter Drill Bit



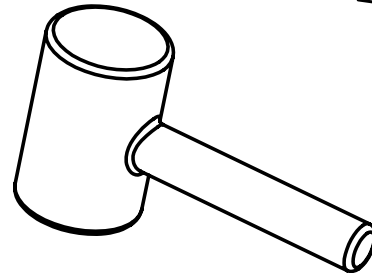
Power Drill



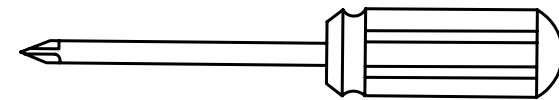
6.5mm Diameter Masonry Drill Bit



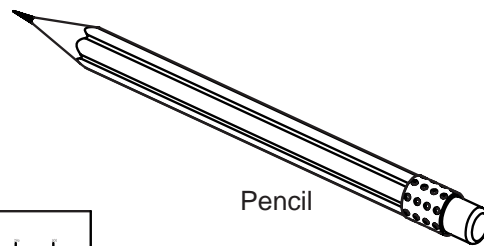
Magnetic Screwdriver



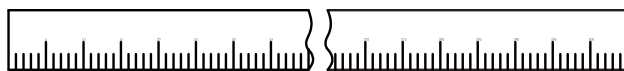
Rubber Hammer



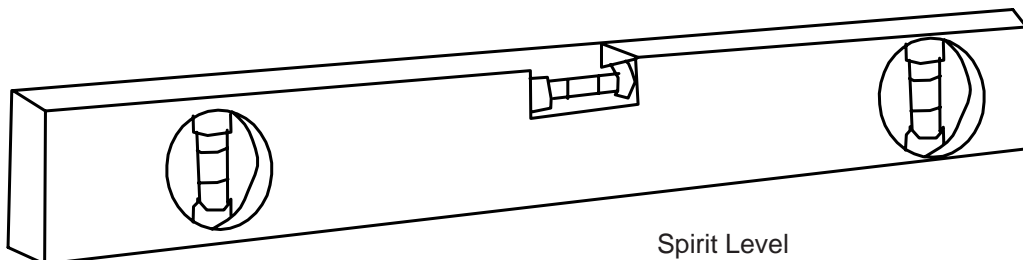
Magnetic Crosshead Screwdriver



Pencil



Ruler



Spirit Level

### **PRE-INSTALLATION AND TECHNICAL REQUIREMENTS**

- All dimensions are shown in millimeters, except where otherwise indicated.
- Ensure that the enclosure set is fitted to a level floor and vertical wall surface.

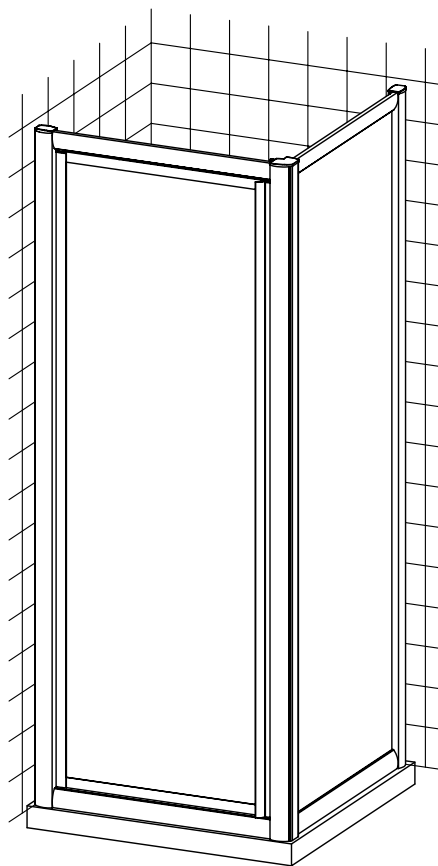
Please note: The wall fixings included with this product are suitable for solid walls only. Plasterboard or stud walls may require specialist fixings (not supplied).

### **IMPORTANT SAFETY NOTES**

- Please handle all glass with care, avoiding knocks and shock loading to all sides and edges. Safety glass cannot be reworked.
- Care should be taken when drilling into walls to avoid hidden pipes or electrical cables.

### **AFTERCARE INSTRUCTIONS**

- Soap and water will be adequate to clean the glass – a glass cleaner can be used if required.
- In hard water districts, insoluble lime salts may be deposited on the glass. If this deposit is allowed to build up it becomes increasingly difficult to remove and looks unsightly. Regular cleaning will minimise this effect.



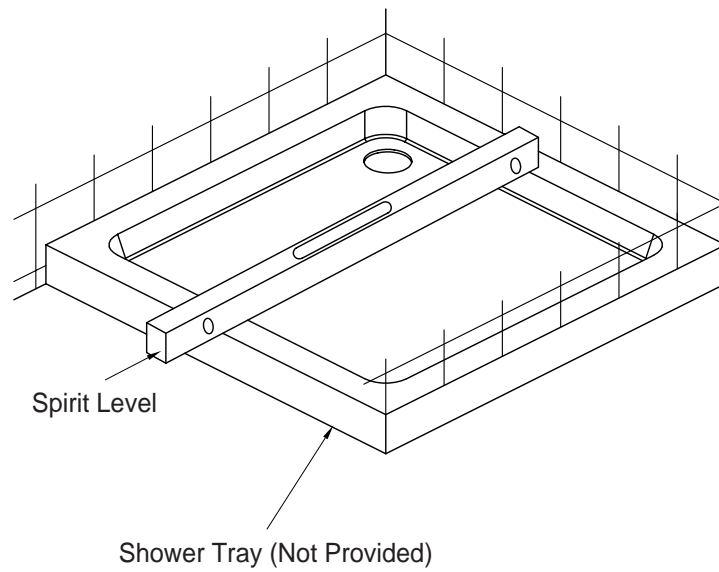
\*Side Panel Optional

### SHOWER TRAY ASSEMBLY

Locate shower tray in the required position. Check with spirit level.

- Assemble waste in the tray and connect the drainage. Consult a plumbing professional if necessary.

Note: Shower tray and waste are not provided.  
Always check for leakage before final fitting.

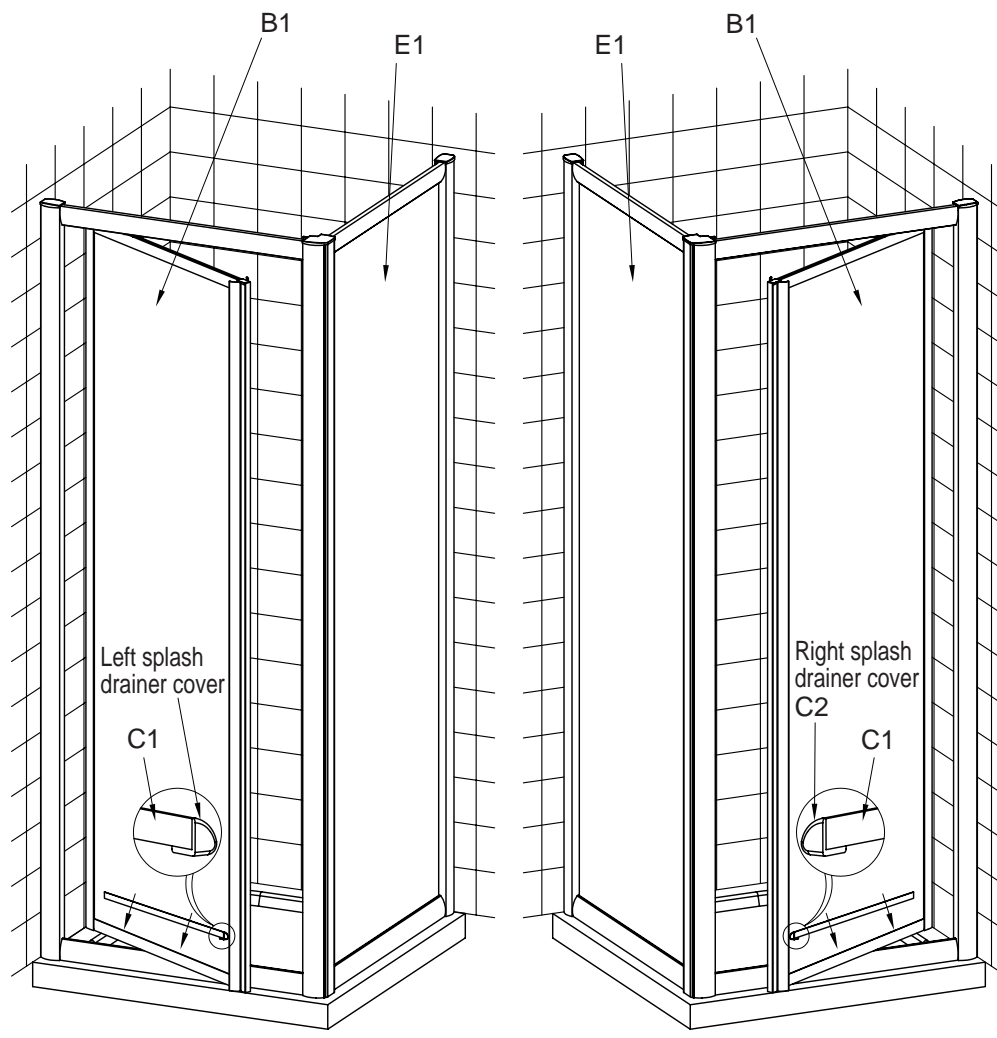


### GENERAL DESCRIPTION

This shower enclosure is suitable for both right and left side opening.

This installation manual is for left side opening.

To install the door on right side opening, 180° reverse the movable glass door (B1) & side panel (E1) and change the splash drainer cover according to the diagram.

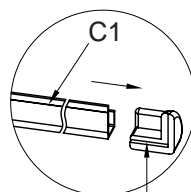


Left Side Opening

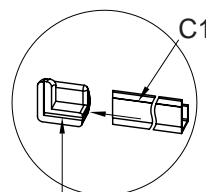
Diagram 1

Right Side Opening

Diagram 2



Left splash  
drainer cover



C2  
Right splash  
drainer cover

### WALL PROFILE ASSEMBLY

- Place the wall profiles (A1) at 25mm distance counted from the edge of the tray and check with spirit level.
- Mark drill points via pre-drilled holes (See diagram 1).
- Take away the wall profiles (A1). Drill holes with  $\text{Ø}6.5\text{mm}$  bit in 35mm depth. Insert wall plugs (E2) with rubber hammer (See diagram 2 & 3).
- Fix wall profiles (A1) with screws ST4.2x35 (D2) (See diagram 4).

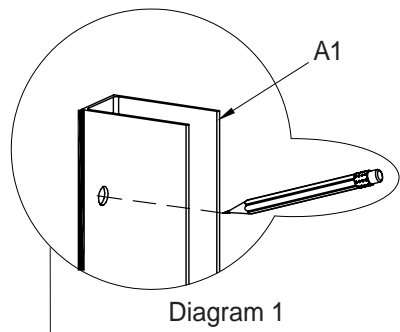


Diagram 1

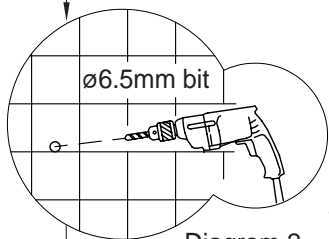


Diagram 2

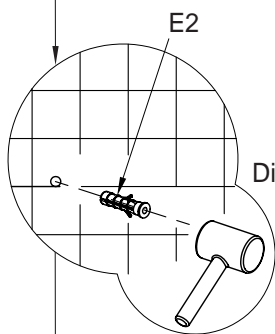


Diagram 3

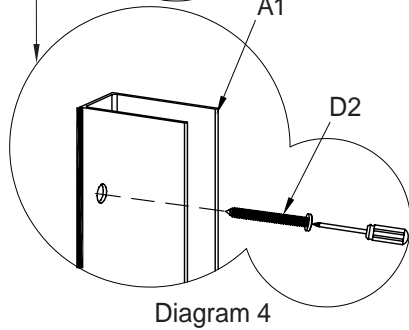
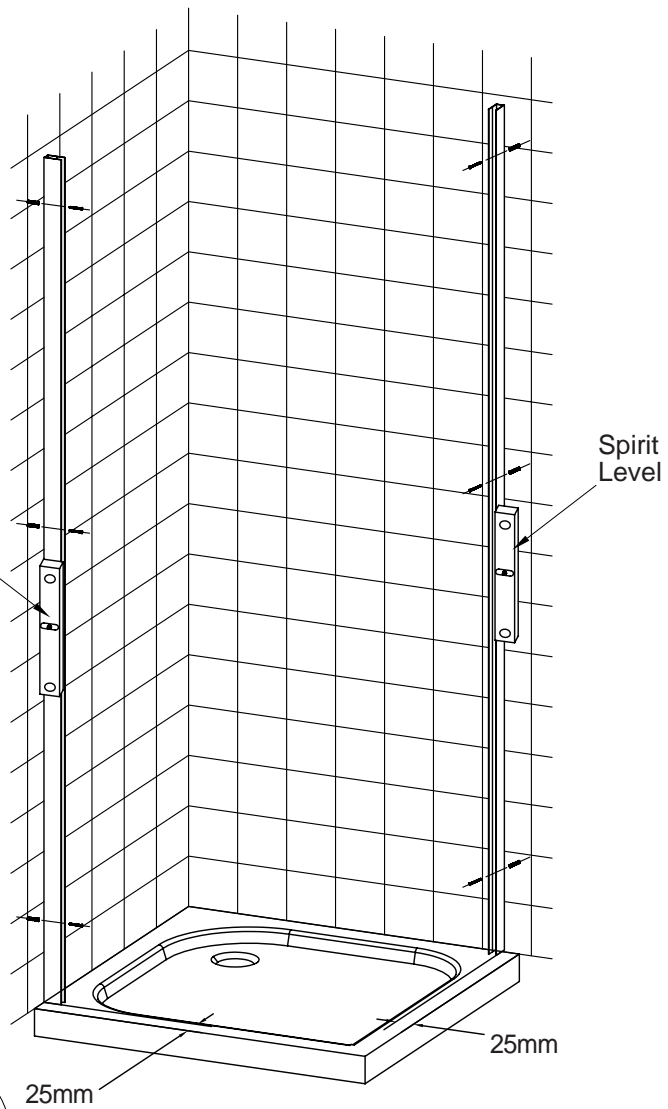
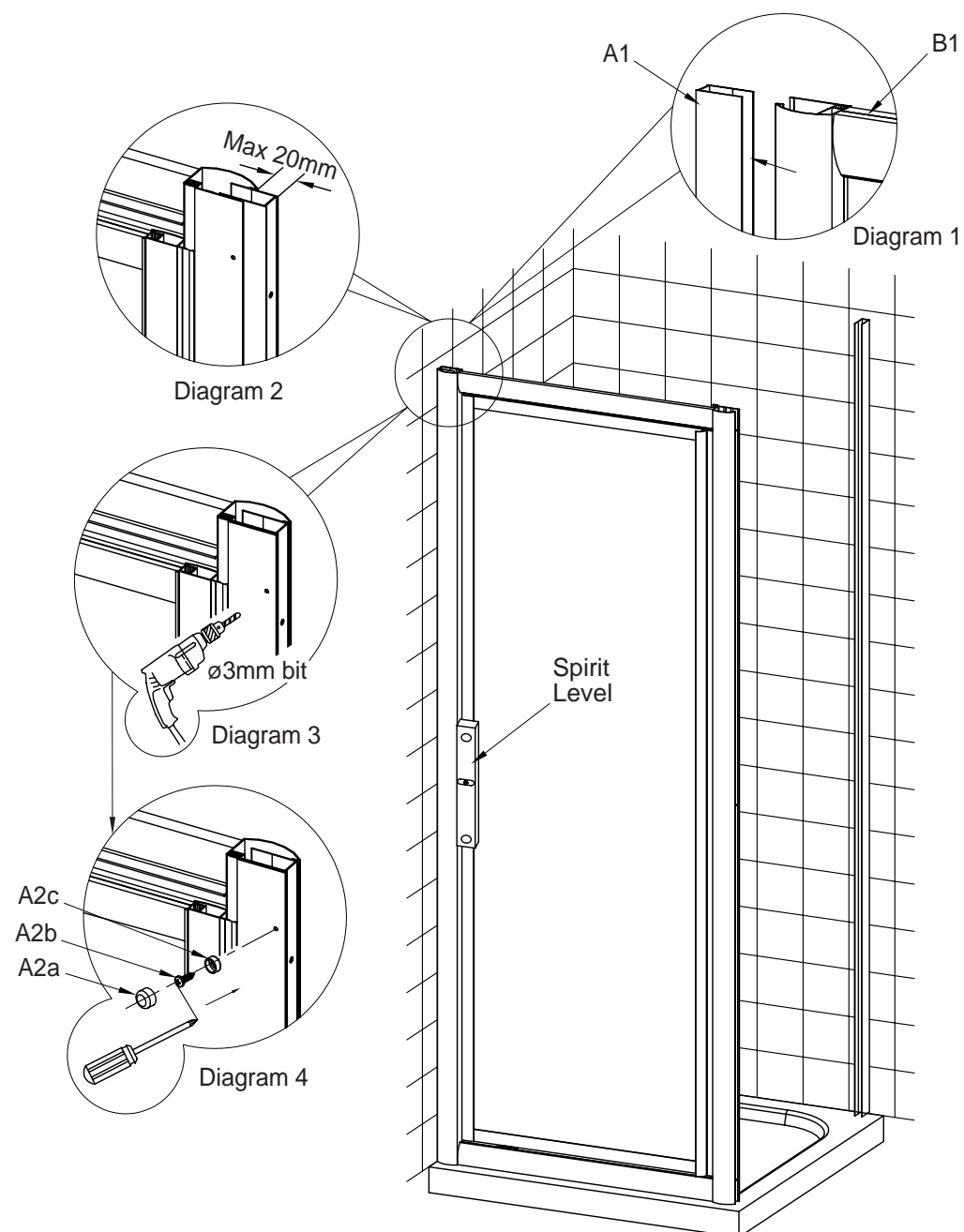


Diagram 4



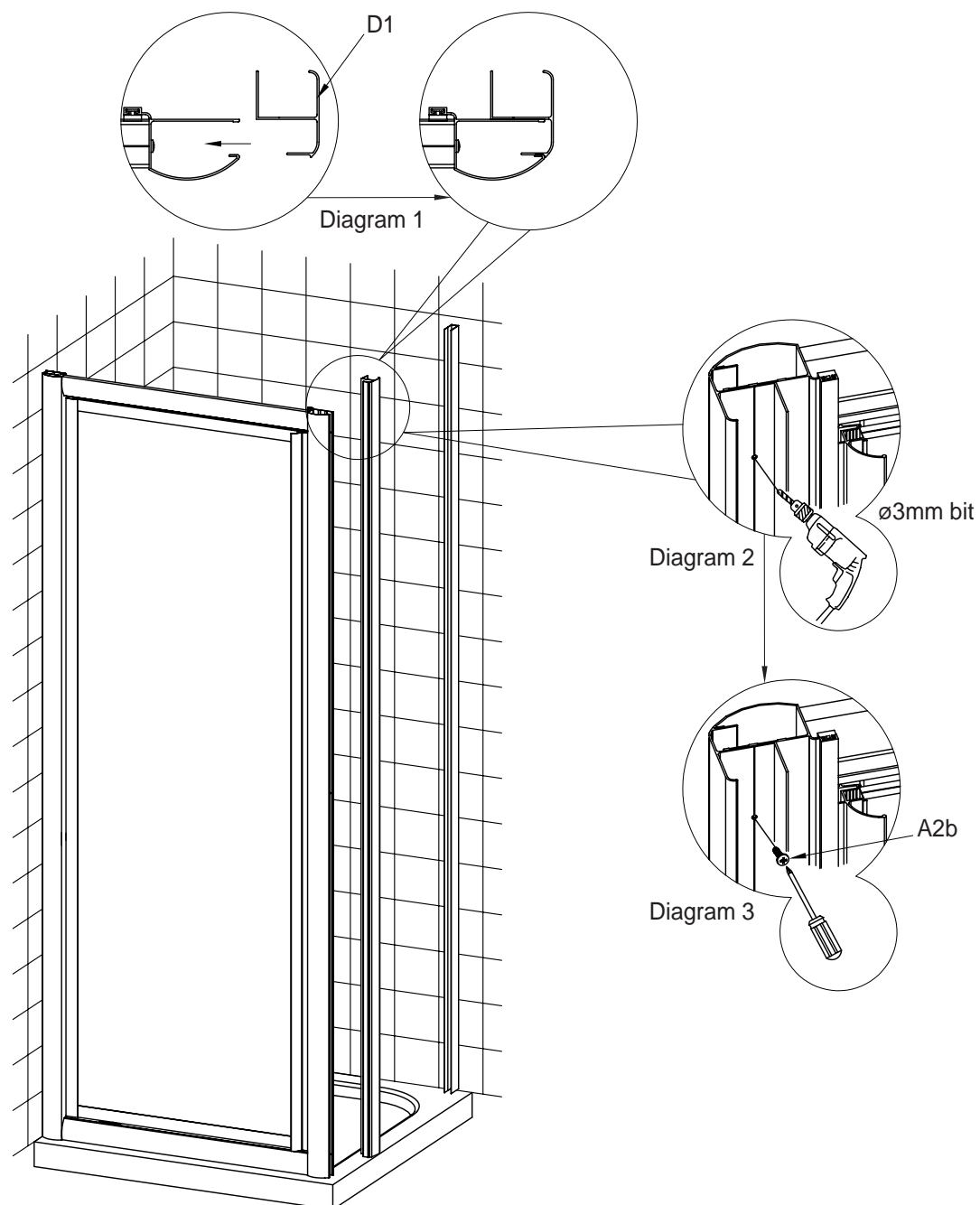
### MOVABLE GLASS DOOR ASSEMBLY

- Plug the movable glass door (B1) into the wall profile (A1) and check with spirit level (See diagram 1).  
Note: There is maximum 20mm adjustable distance for out-of-true wall case (See diagram 2).
- Drill holes with  $\varnothing 3\text{mm}$  bit in 5mm depth via the pre-drill holes of the profile (See diagram 3).  
Note: Please do not drill through the profile or otherwise it will damage the profile's surface.
- Fix it with screws ST3.5x14 (A2b) and screw caps (A2c) (See diagram 4).
- Clip screw covers (A2a) on (See diagram 4).



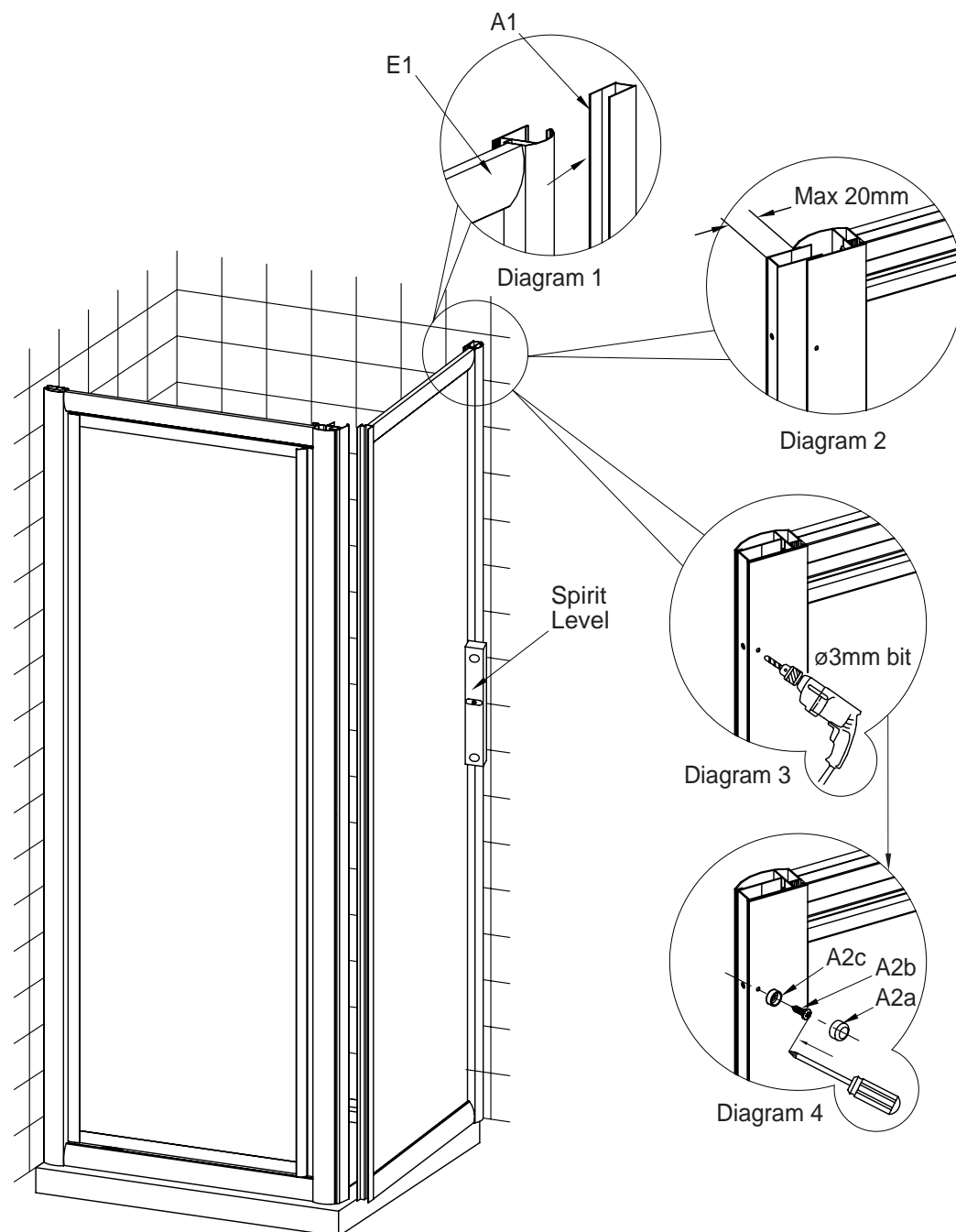
### DOOR PROFILE ASSEMBLY

- Plug the movable glass door (B1) into the door profile (D1) (See diagram 1).
- Drill holes with  $\varnothing 3\text{mm}$  bit in 5mm depth via the pre-drill holes of the door profile (D1) (See diagram 2).  
Note: Please do not drill through the profile or otherwise it will damage the profile's surface.
- Fix it with screws ST3.5x14 (A2b) (See diagram 3).



### SIDE PANEL ASSEMBLY

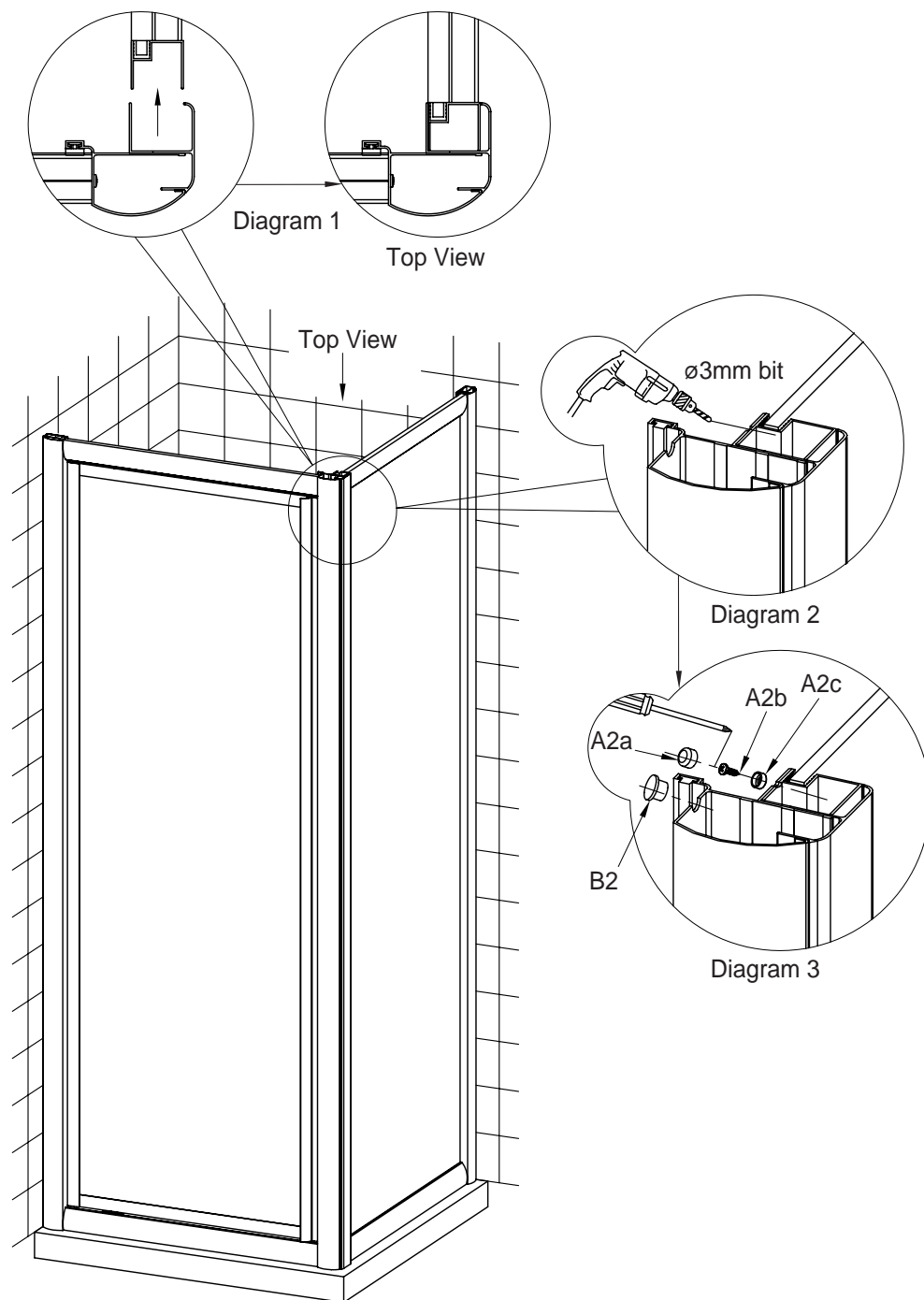
- Plug the side panel (E1) into the wall profile (A1) and check with spirit level (See diagram 1).  
Note: There is maximum 20mm adjustable distance for out-of-true wall case (See diagram 2).
- Drill holes with  $\varnothing 3\text{mm}$  bit in 5mm depth via the pre-drill holes of the profile (See diagram 3).  
Note: Please do not drill through the profile or otherwise it will damage the profile's surface.
- Fix it with screws ST3.5x14 (A2b) and screw caps (A2c) (See diagram 4).
- Clip screw covers (A2a) on (See diagram 4).





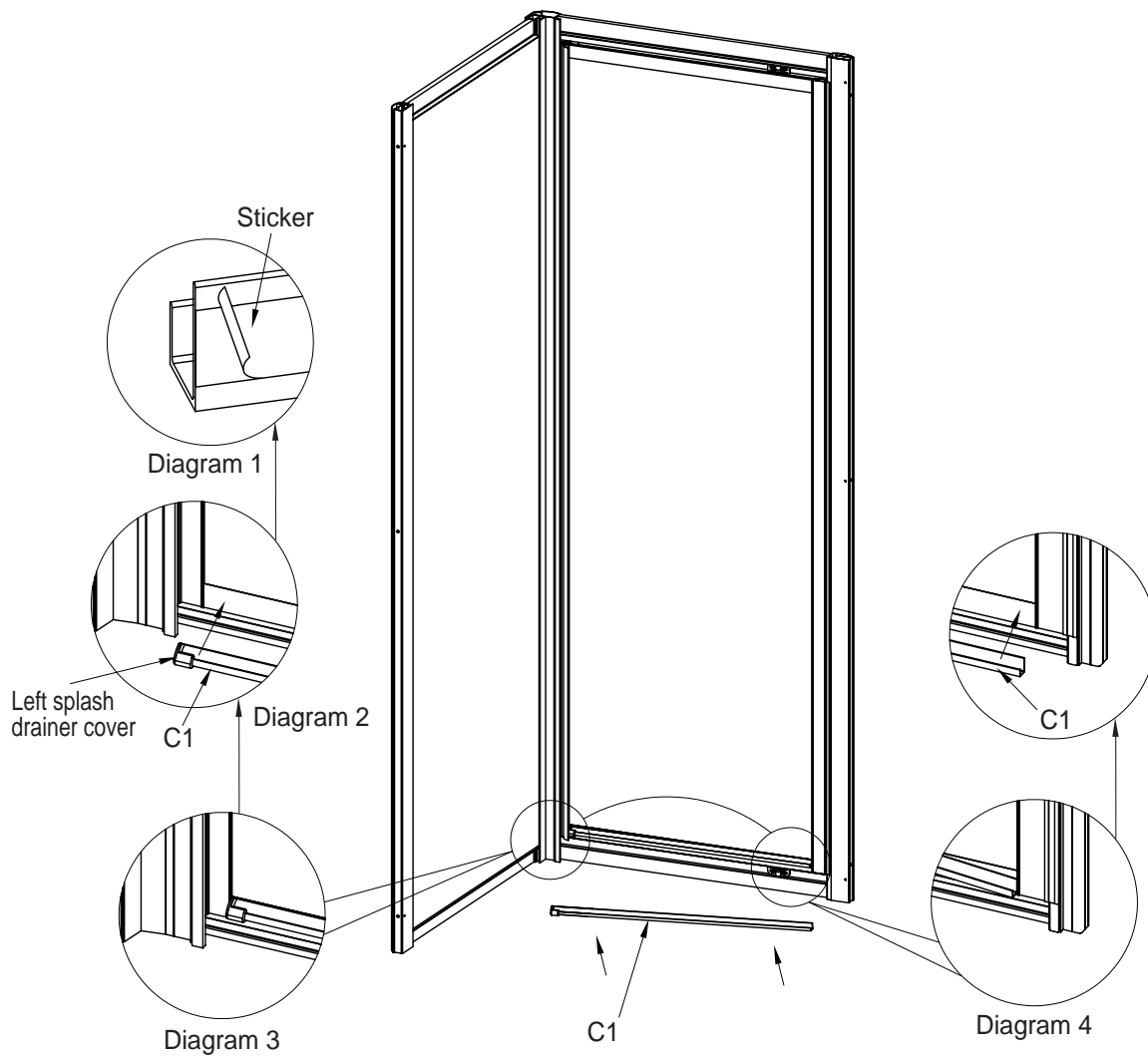
### MOVABLE GLASS DOOR & SIDE PANEL SET ASSEMBLY

- Connect the movable glass door (B1) and the side panel set according to diagram 1.
- Drill holes with  $\varnothing 3\text{mm}$  bit in 5mm depth via the pre-drill holes of the door profile (See diagram 2).  
Note: Please do not drill through the profile or otherwise it will damage the profile's surface.
- Fix it with screws ST3.5x14 (A2b) and screw caps (A2c) (See diagram 3).
- Clip screw covers (A2a) & covers (B2) on (See diagram 3).



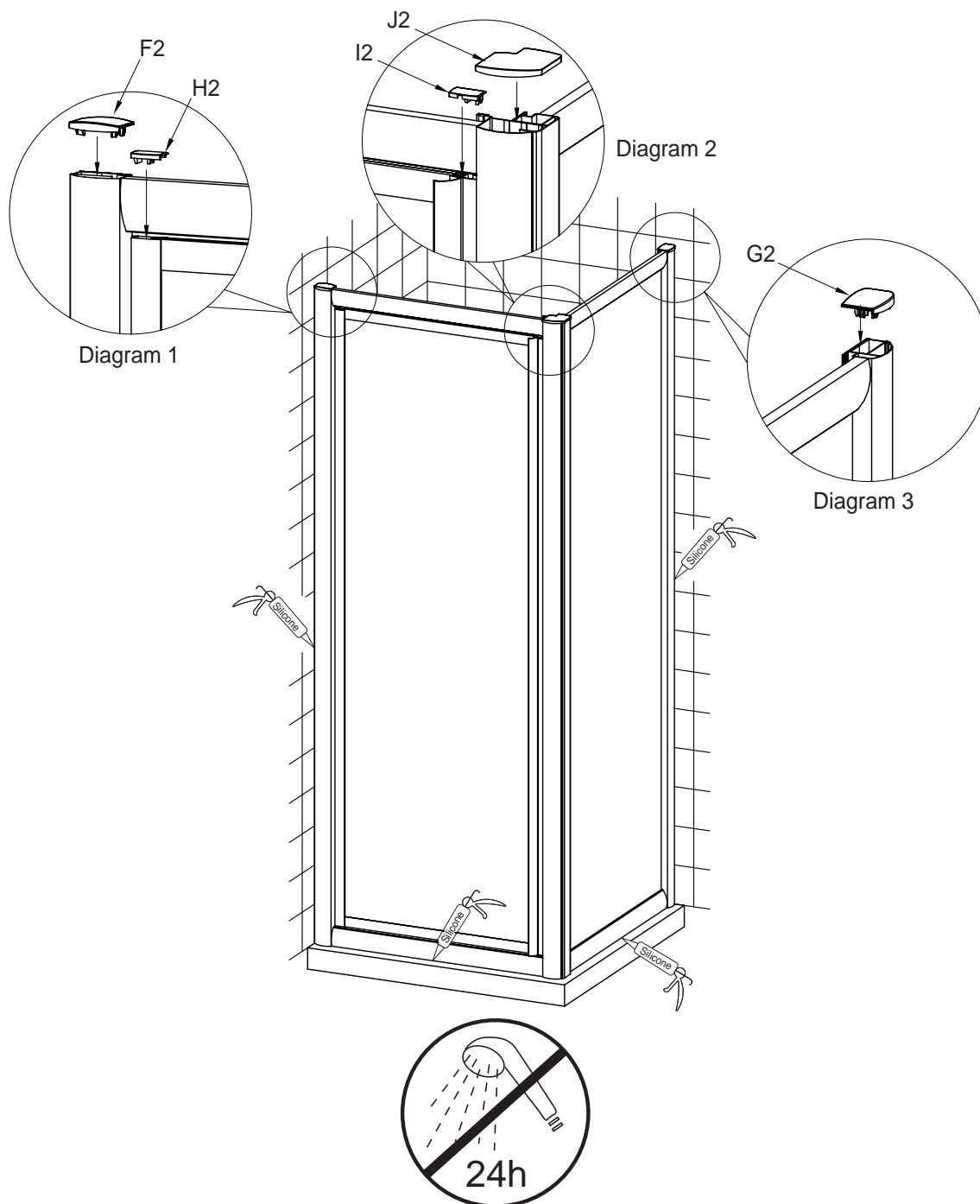
### SPLASH DRAINER ASSEMBLY

- Peel off the sticker from the back of the splash drainer (See diagram 1).
  - Place the splash drainer (C1) on the required position as shown in diagram 2 & 3.
- Note: One side of the splash drainer must be placed downward as shown in diagram 4.



### PROFILE CAPS ASSEMBLY

- Clip profile caps (F2, G2 & J2) and door profile caps (H2 & I2) on the required position as shown in diagram 1, 2 & 3.
- Apply silicone to all the joints between walls, profiles, shower tray and under shower enclosure.  
Note: Do not use the shower enclosure for at least 24 hours in order to allow silicone to dry fully.



DO NOT USE THE ENCLOSURE FOR AT LEAST 24 HOURS IN ORDER TO ALLOW SILICONE TO DRY FULLY.

- For further information, please contact Customer Services [customerservices@bathroombrands.co.uk](mailto:customerservices@bathroombrands.co.uk)

**plumbworld**  
**Big brands, small prices.**

Pdf Supplied By <http://www.plumbworld.co.uk/>