

Customer Care Helpline

Our customer care centre can be contacted during normal working hours. For spare parts and after sales service proof of purchase must be provided. If an engineer's visit is requested, we require a pre-authorisation against a valid credit/debit card prior to call-out. If the product is found not to be faulty and the call-out is due to installation error we will charge a call-out fee.

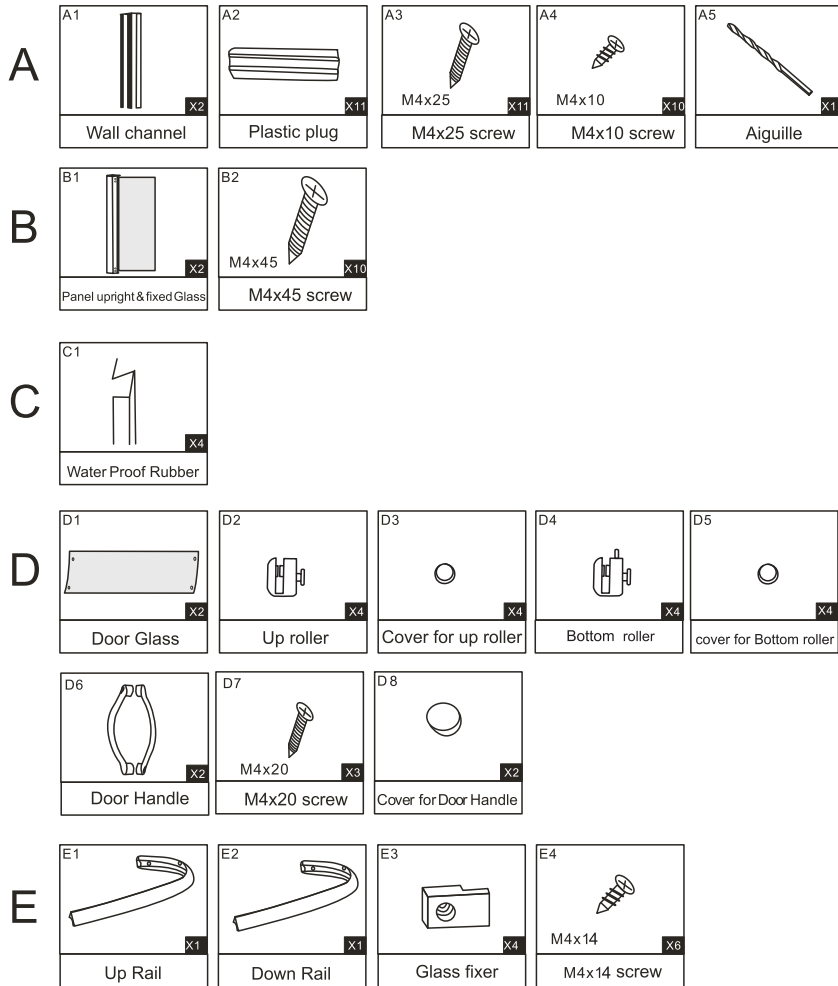
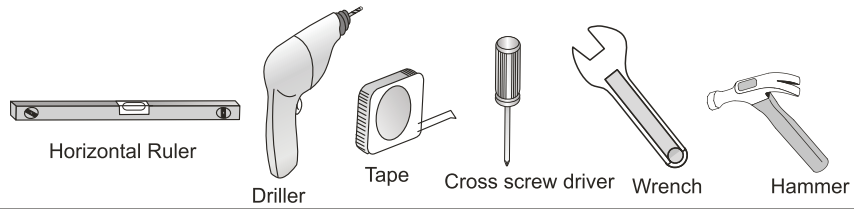
The terms and conditions of our after sales service are available upon request. Please contact our customer care line for further information.

Tel: **+44 (0) 845 257 6973**

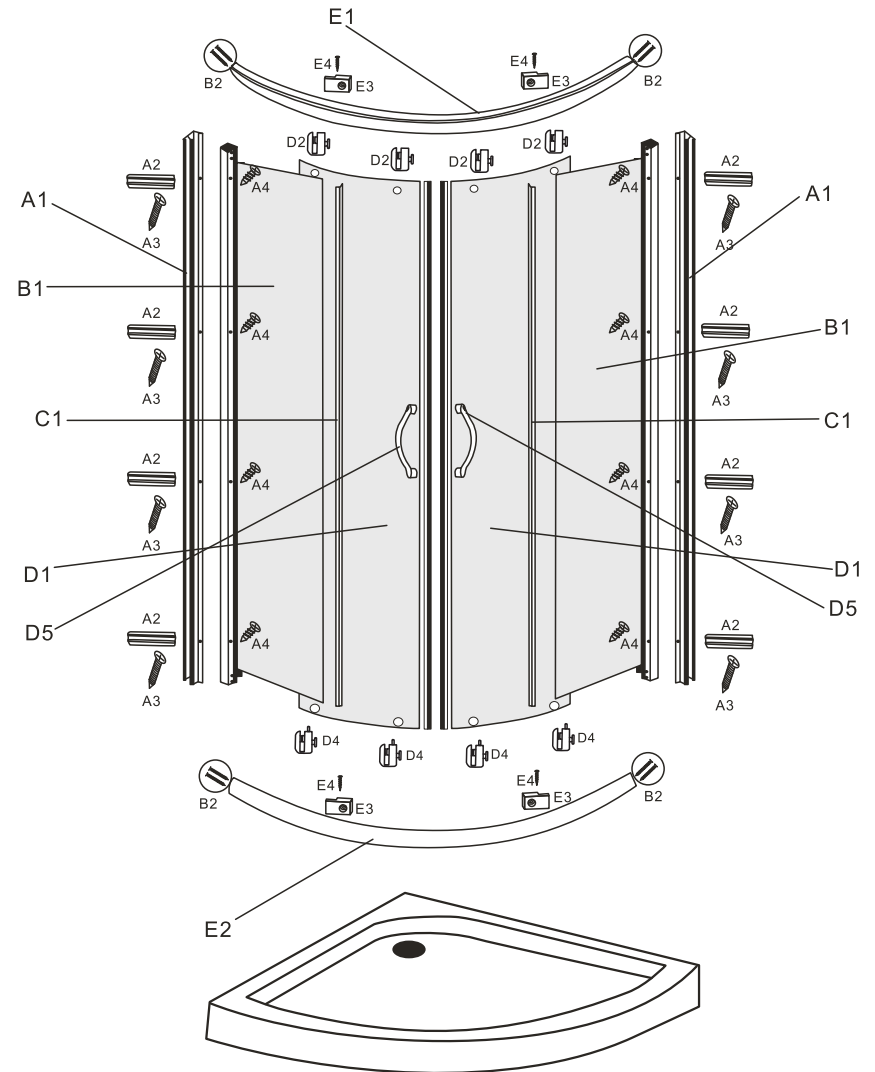
Email: **customerservice@mfbp.co.uk**

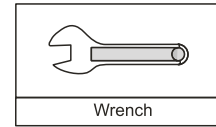
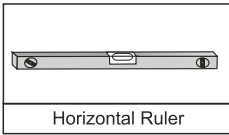


Tools for Installation



Structure Sketch

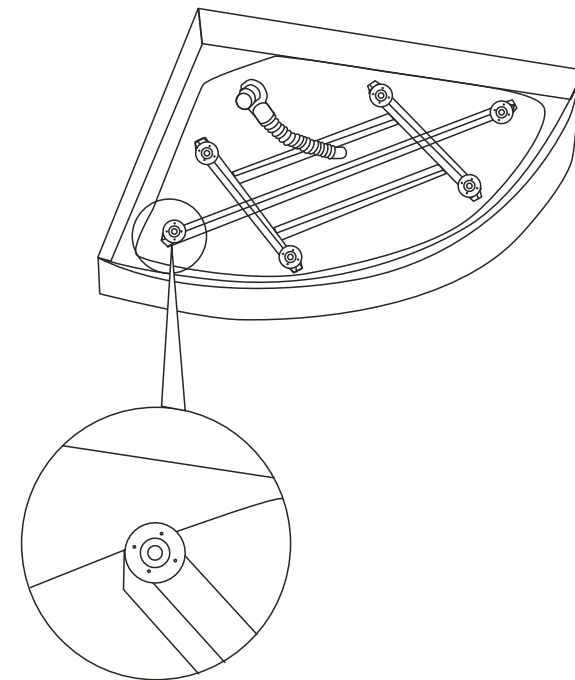
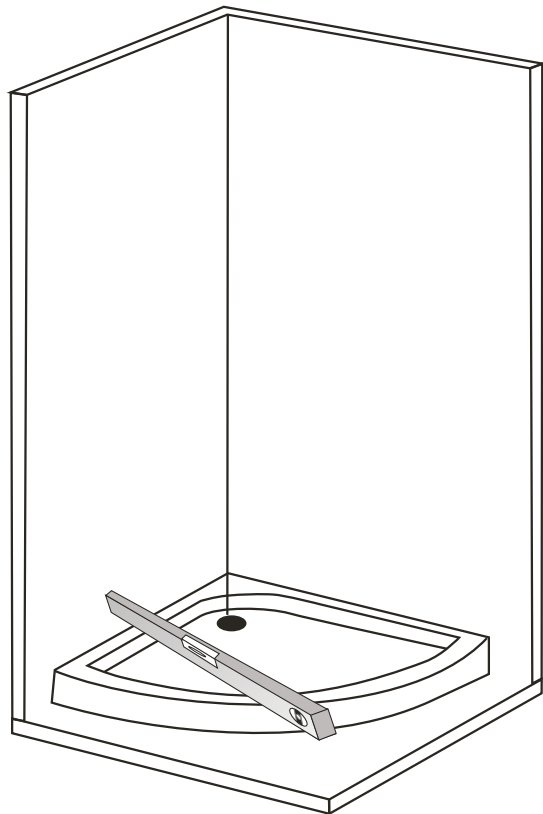


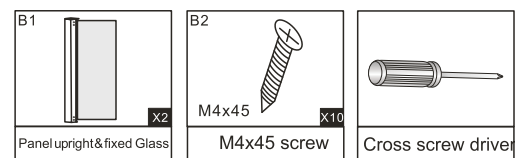
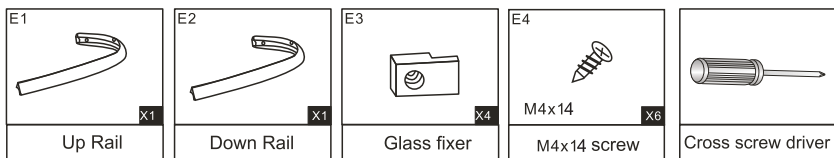


I. Installation of shower tray.

1. Put the tray on the proper place, measure with horizontal ruler.

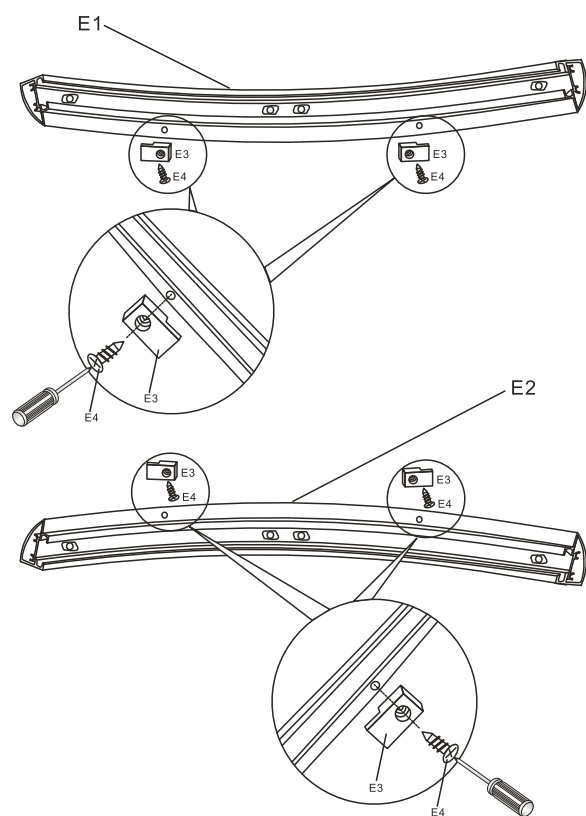
2. Adjust the legs till the tray to be horizontal.



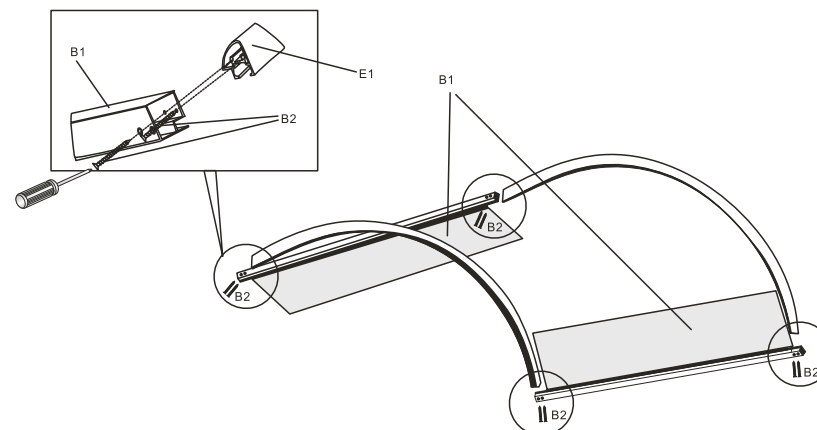


II. Installation of Glass Room.

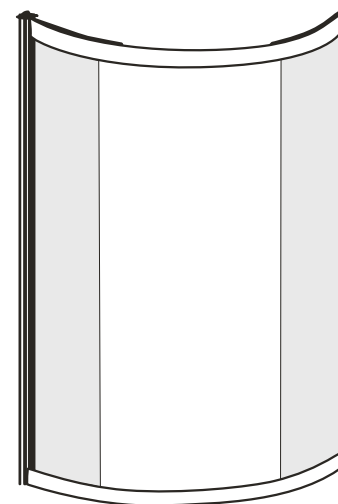
1. Install the Glass fixer on the up and down rail.

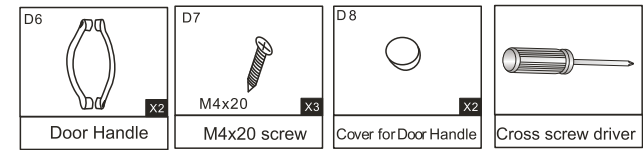
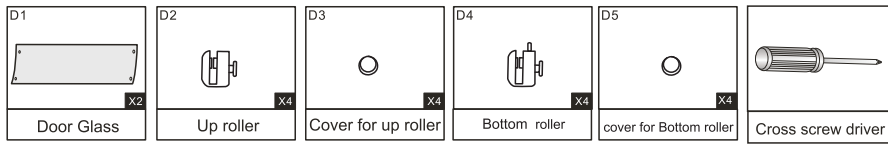


2. Connect the up and down rail to the panel upright and fixed glass.

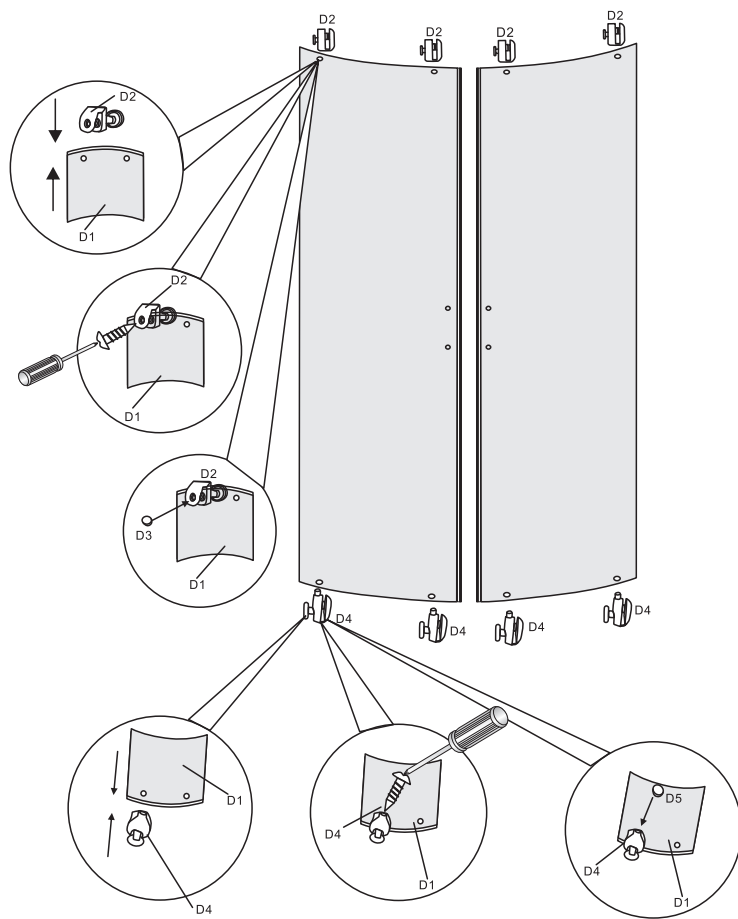


3. Make the glass room upright.

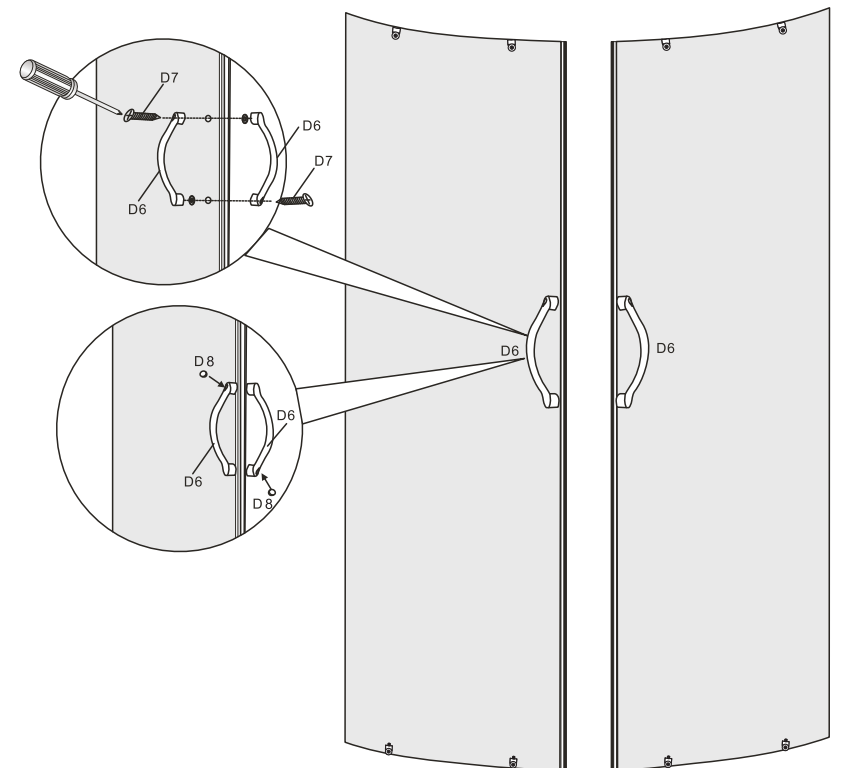


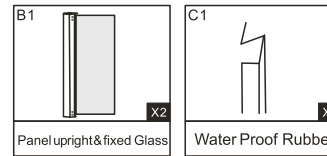


III. Assemble the up Rollers and Bottom roller

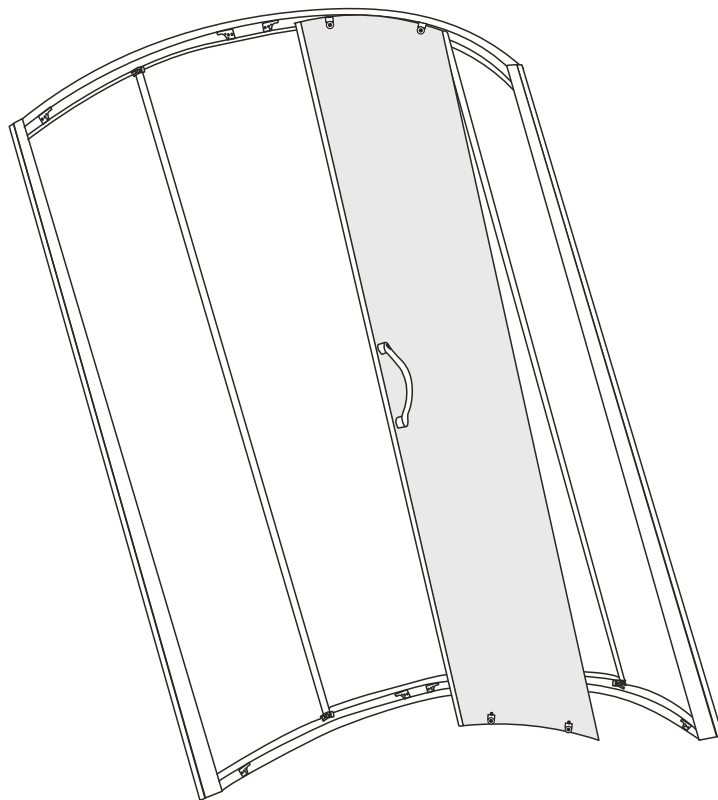


IV. Assemble the Door Handles.

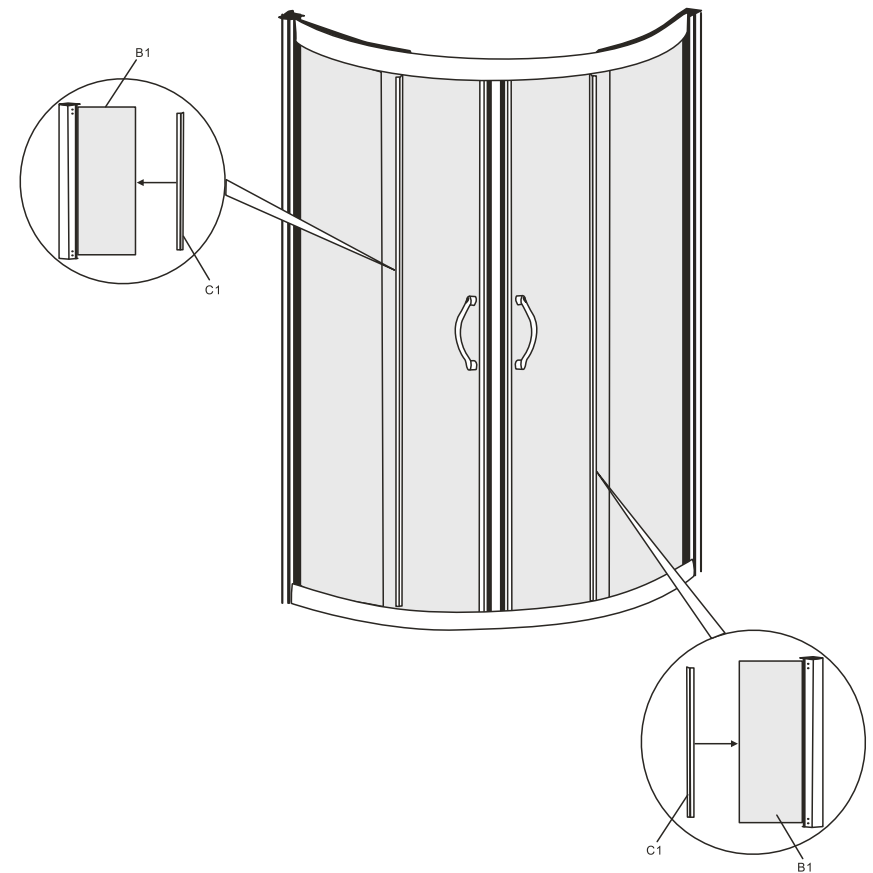


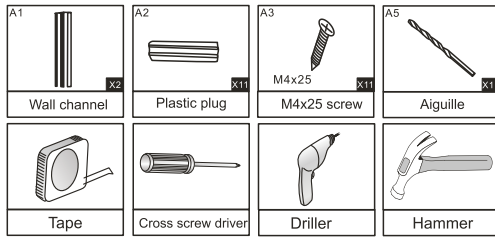


V. Put the door Glass into the up and down Rail.

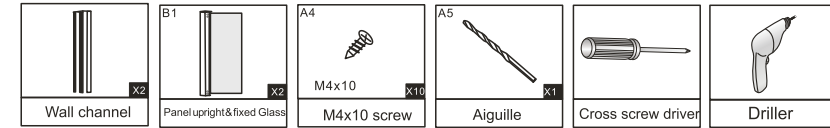
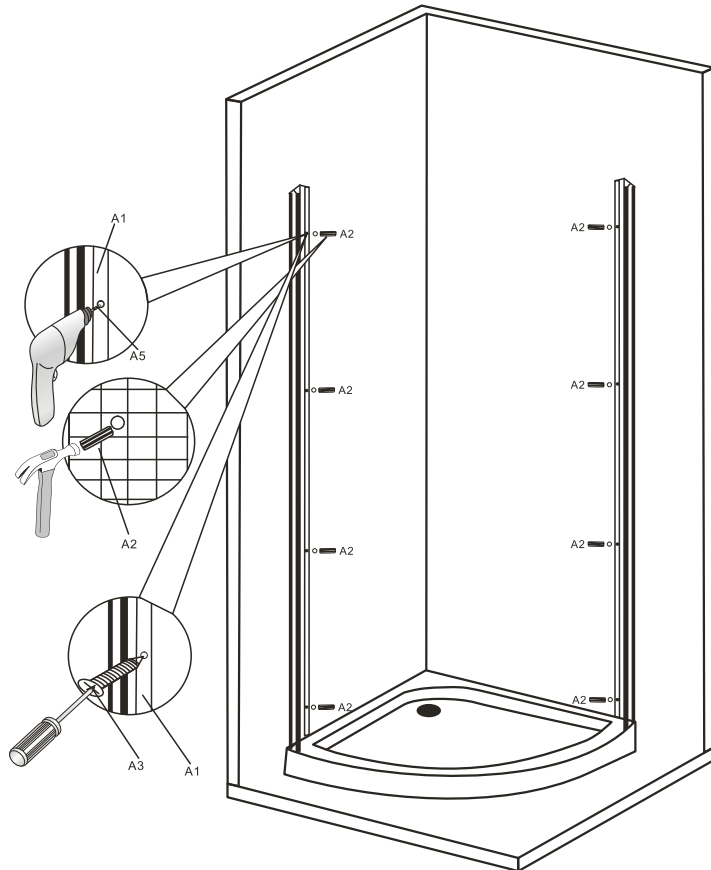


VI. Insert the Water Proof Rubber.





VII. Fix the wall channel on the wall.



VIII. Insert the Wall channel into the panel upright of the Glass Room. Fix them together with the screw.

