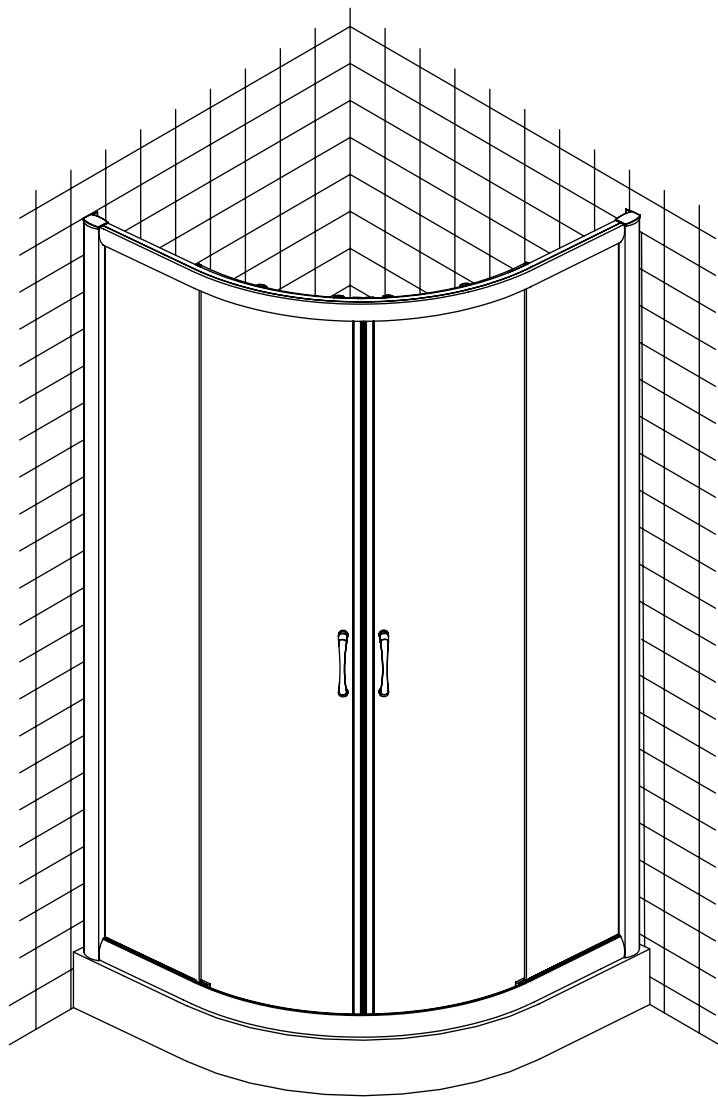


plumbworld

SH12 SHOWER ENCLOSURE
800mmX800mmX1850mm
900mmX900mmX1850mm
INSTALLATION MANUAL



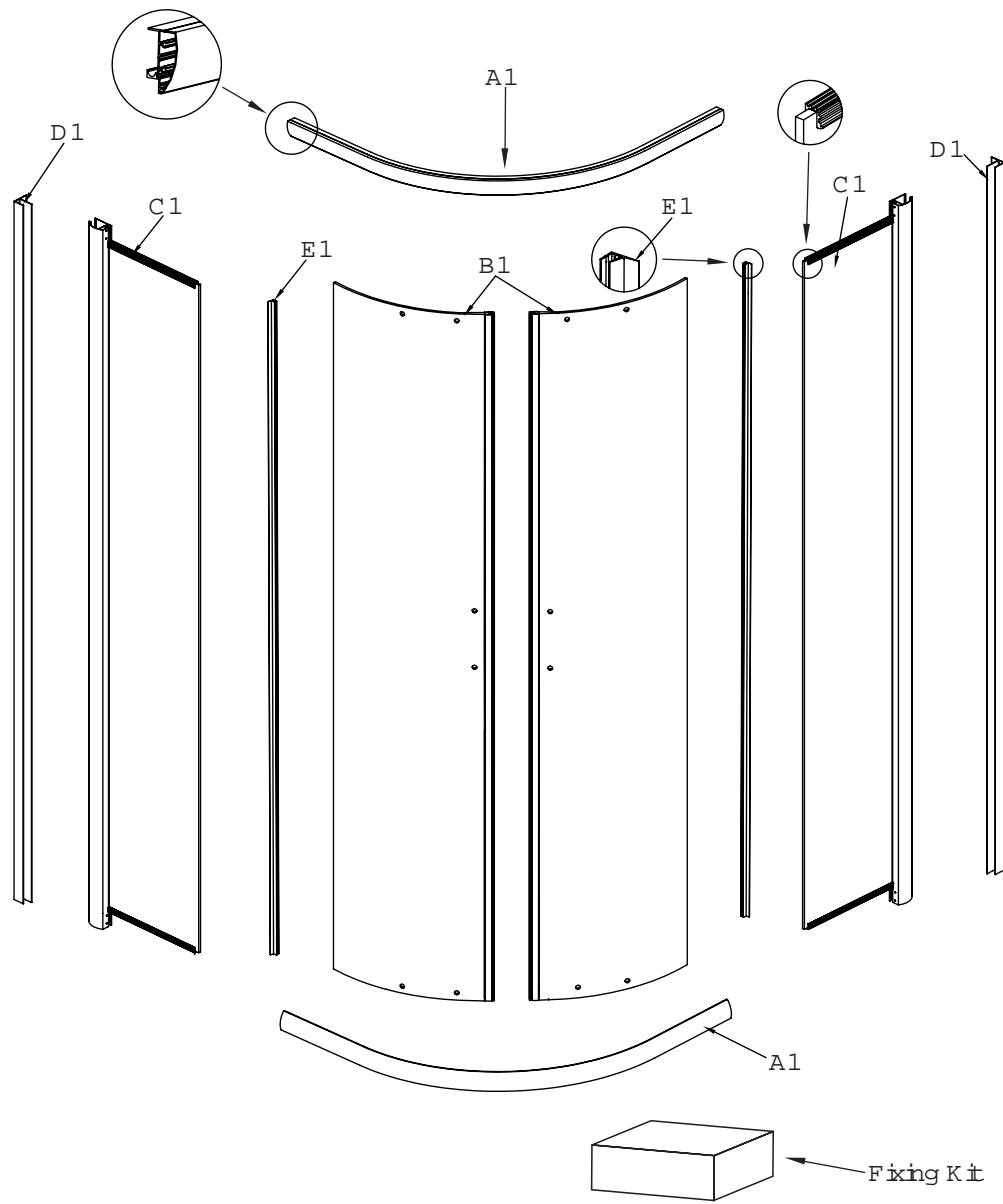
INSTRUCTIONS FOR ASSEMBLY,
INSTALLATION AND USE

TABLE OF CONTENTS

Enclosure Specifications and Contents	2
Fixing Kit and Contents	3
Shower Tray Specifications and Contents	4
Tools Required (Not Supplied)	5
Pre-installation and Technical Requirements, Important Safety Notes and Aftercare Instructions	6
General Description	7
Shower Tray Assembly	8
Fixed Side Panel Assembly	9
Glass Fastener Assembly	10
Wall Profile Assembly	11-12
Movable Glass Door Assembly	13
Fix Wall Profiles with Fixed Side Panel Set	14
Door Handle, Splash Seal and Profile Cap Assembly	15
Apply Silicone Sealant to the Joints	16

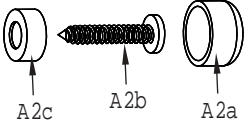



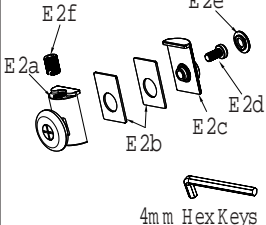
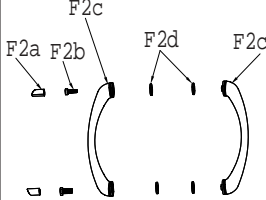
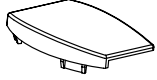
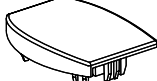
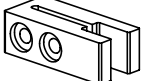

BOX 1 / 2

ENCLOSURE SPECIFICATIONS AND CONTENTS



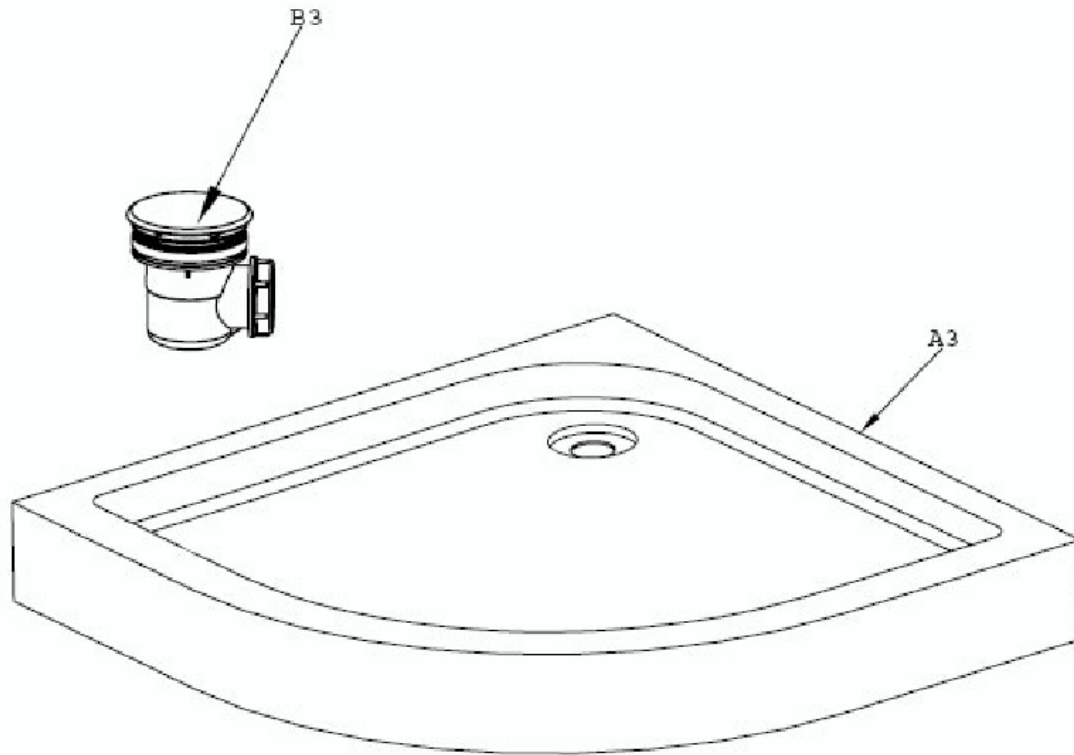
Ref	Content	Qty	Ref	Content	Qty
A1	Top Track and Bottom Track (Included 2 glass stoppers per track)	1 for each	B1	Movable Door Panel	2
C1	Fixed Side Panel	2	D1	Wall Profile	2
E1	A3 Splash Seal	2			

FIXING KIT AND CONTENTS

Ref	Content	Illustration	Qty
A2	Screw ST3.5 x 14 (A2b)		4
	Screw Cap (A2c)		12
	Screw Cover (A2a)		12
B2	Screw ST3.5X30		8
C2	Screw ST4.2X35		8
D2	Wall Plug		8
E2	String Wheels		8
F2	Handle Set		2
G2	Right Profile Cap		1
H2	Left Profile Cap		1
I2	Glass Fastener		4
J2	Screw ST 3.5 x 16		8

BOX 2 / 2

SHOWER TRAY SPECIFICATIONS AND CONTENTS



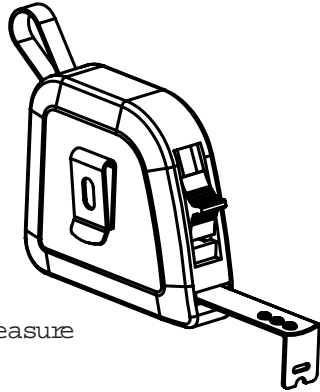
Ref	Content	Qty
A3	Tray (900X900mm /800X800mm)	1
B3	Waste	1

Note: Check the packs and make sure you have all the parts listed. If not, contact your vendor who will be able to help you.

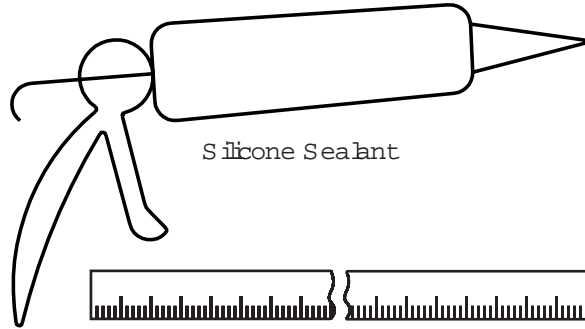
TOOLS REQUIRED (NOT SUPPLIED)

When you're ready to start, make sure that you have the following tools to hand, plenty of space and a clean dry area for assembly.

Two people are needed. Please note: although these instructions are comprehensive, we always recommend that a technically competent installer should undertake installation.



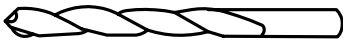
Tape Measure



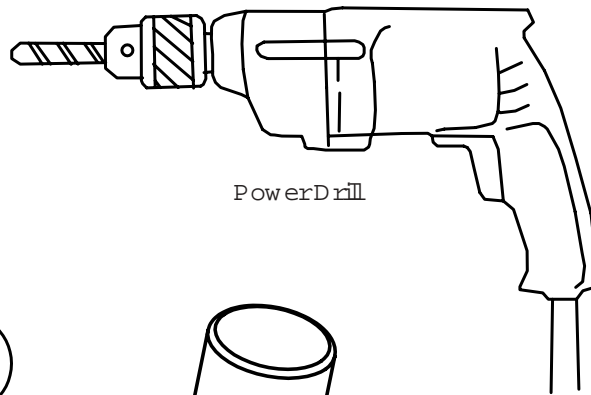
Silicone Sealant



Measure



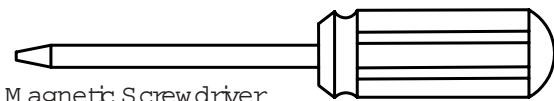
3mm Diameter Drill Bit



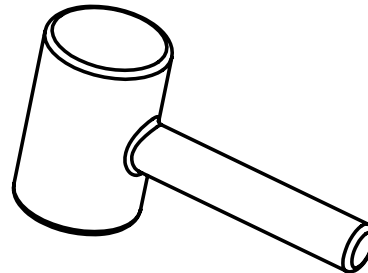
Power Drill



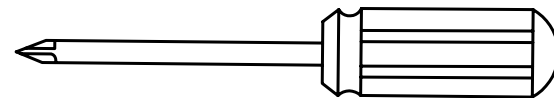
6.5mm Diameter Masonry Drill Bit



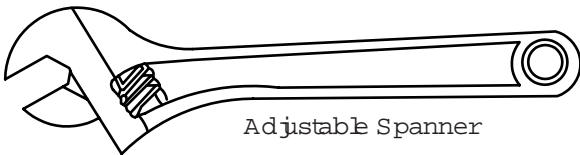
Magnetic Screwdriver



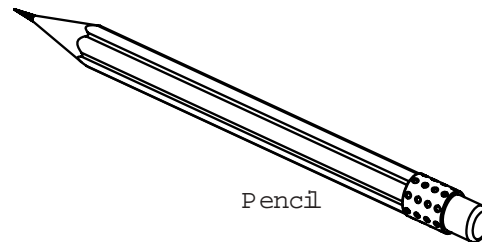
Rubber Hammer



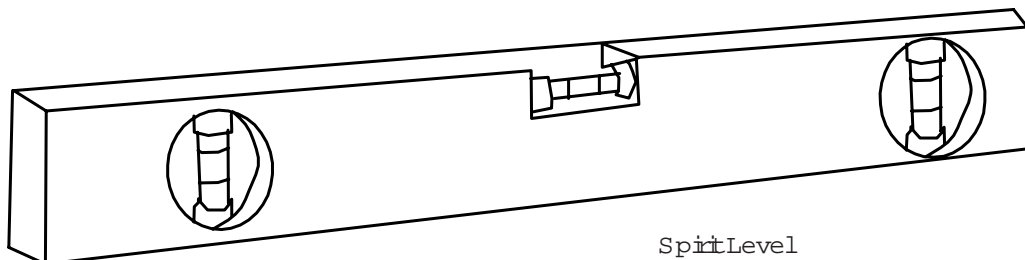
Magnetic Crosshead Screwdriver



Adjustable Spanner



Pencil



Spirit Level

PRE-INSTALLATION AND TECHNICAL REQUIREMENTS

- All dimensions are shown in millimeters, except where otherwise indicated.
- Ensure that the enclosure set is fitted to a level floor and vertical wall surface.

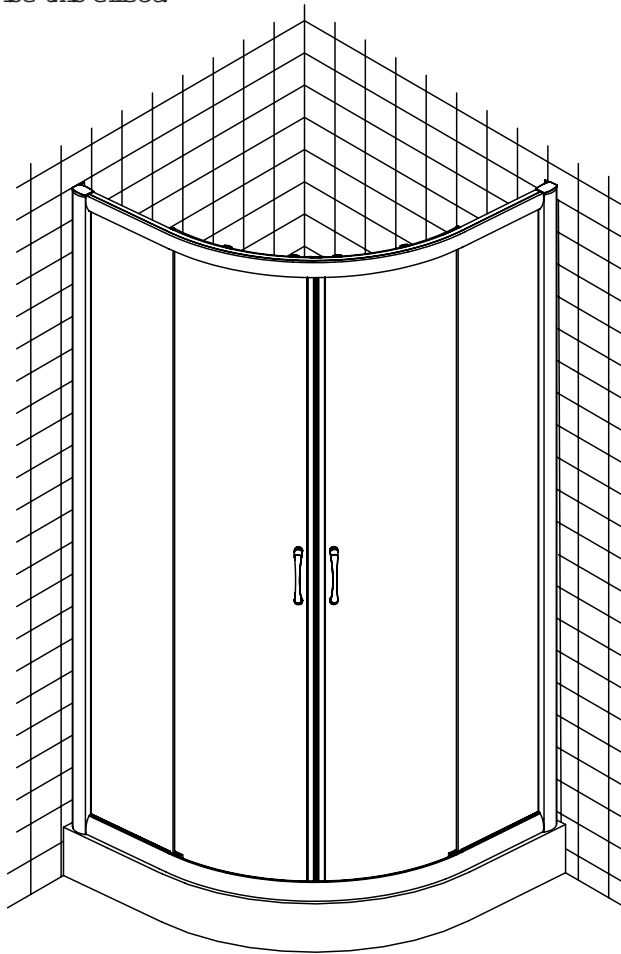
Please note: The wall fixings included with this product are suitable for solid walls only. Plasterboard or stud walls may require specialist fixings (not supplied).

IMPORTANT SAFETY NOTES

- Please handle all glass with care, avoiding knocks and shock loading to all sides and edges. Safety glass cannot be reworked.
- Care should be taken when drilling into walls to avoid hidden pipes or electrical cables.

AFTERCARE INSTRUCTIONS

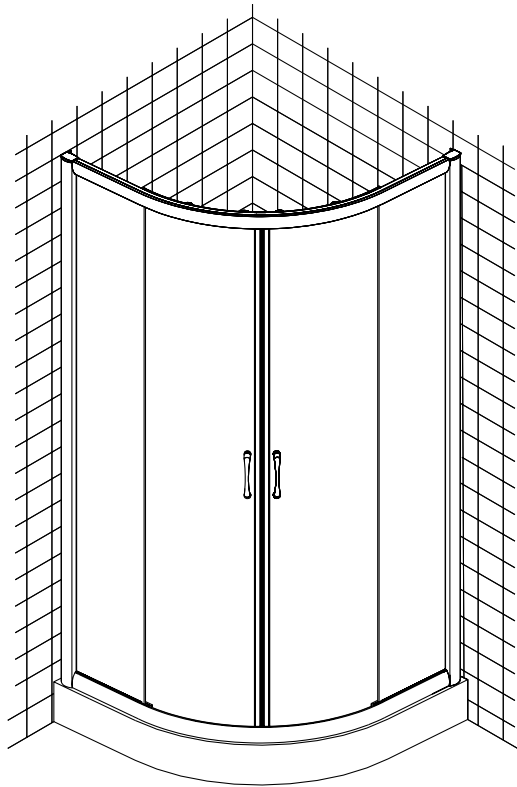
- Soap and water will be adequate to clean the glass - a glass cleaner can be used if required.
- In hard water districts, insoluble lime salts may be deposited on the glass. If this deposit is allowed to build up it becomes increasingly difficult to remove and looks unsightly. Regular cleaning will minimise this effect.



GENERAL DESCRIPTION

-This instruction manual is applicable for both pre-tiled walls and plain walls.
15mm distance is reserved for tiling of plain walls.

Pre-Tiled Walls



Plain walls

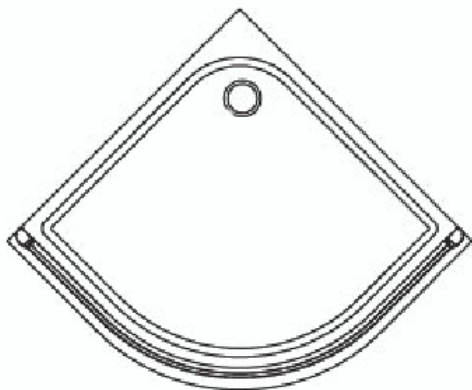
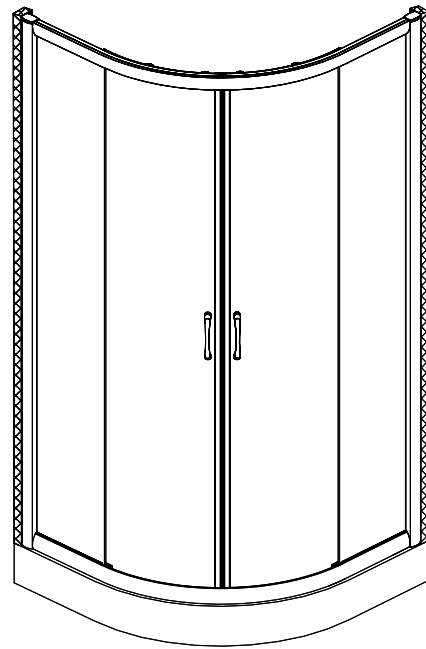


Diagram 1

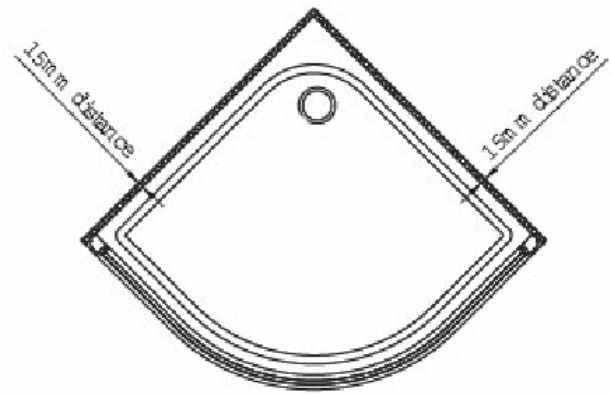
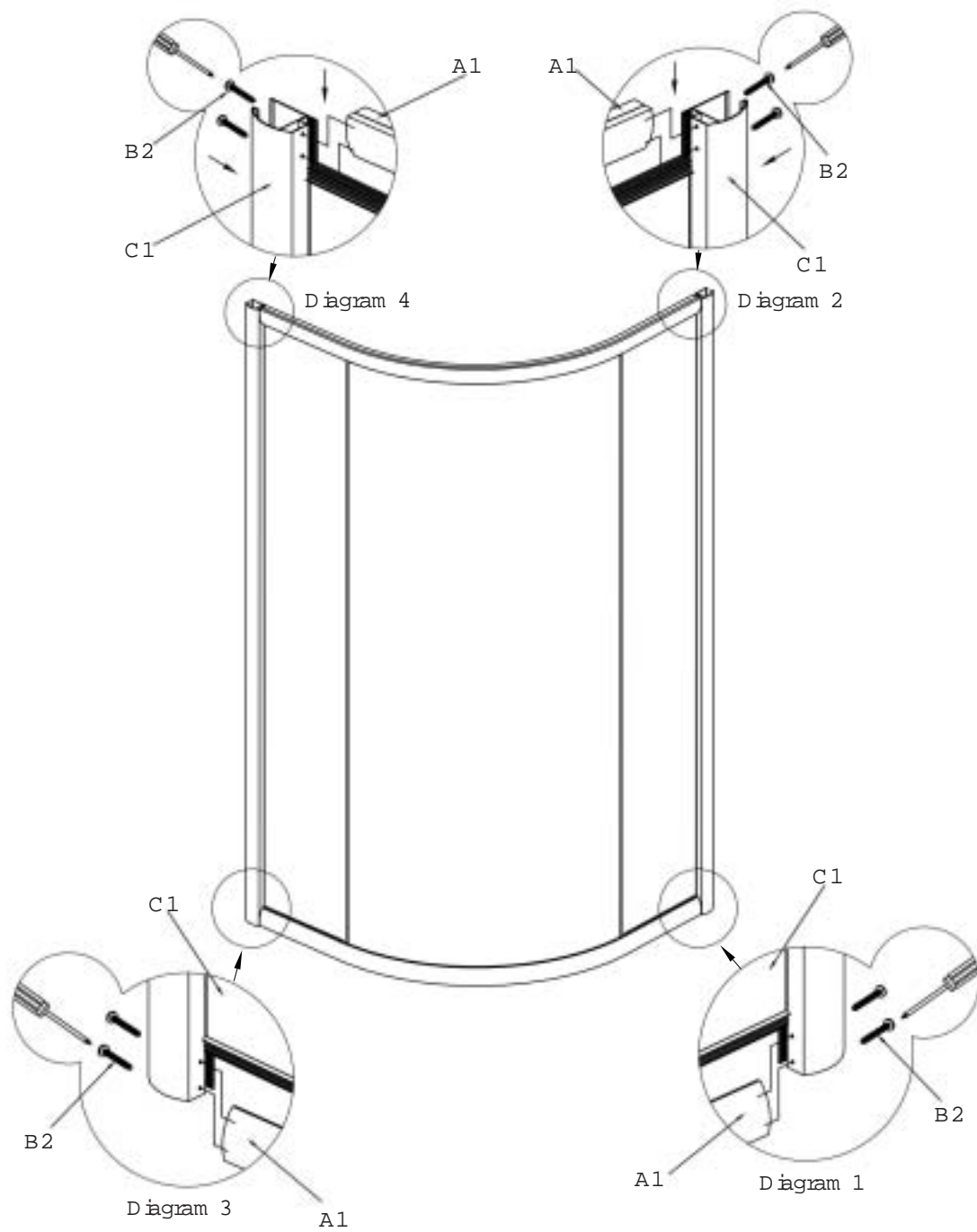


Diagram 2

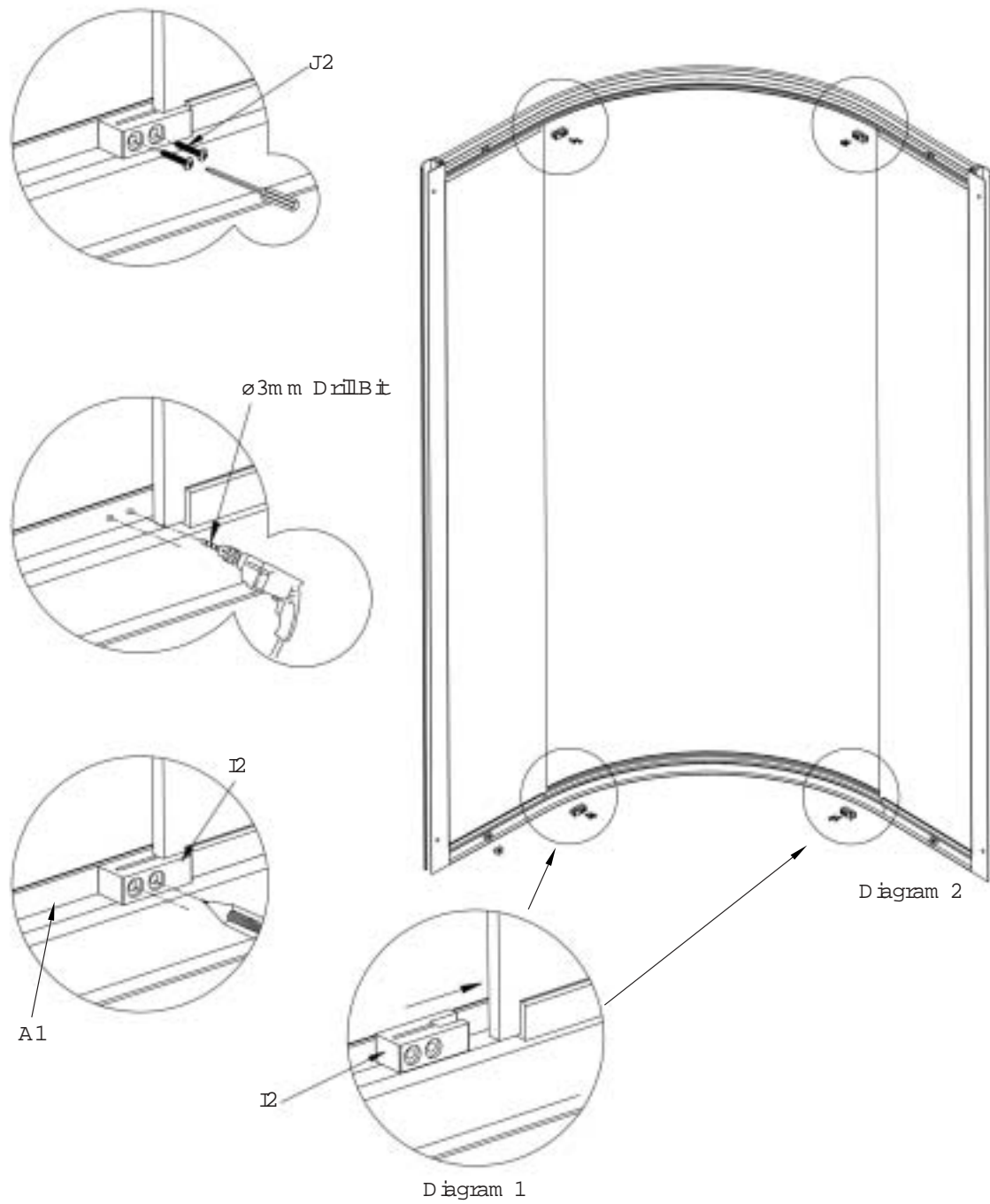
FIXED SIDE PANEL ASSEMBLY

- Insert fixed side panels (C1) into top track and bottom track (A1) as shown in diagram 1 to 4.
- Fix top and bottom track (A1) to fixed panels by screw ST3.5x30 (B2) (See diagram 1 to 4).



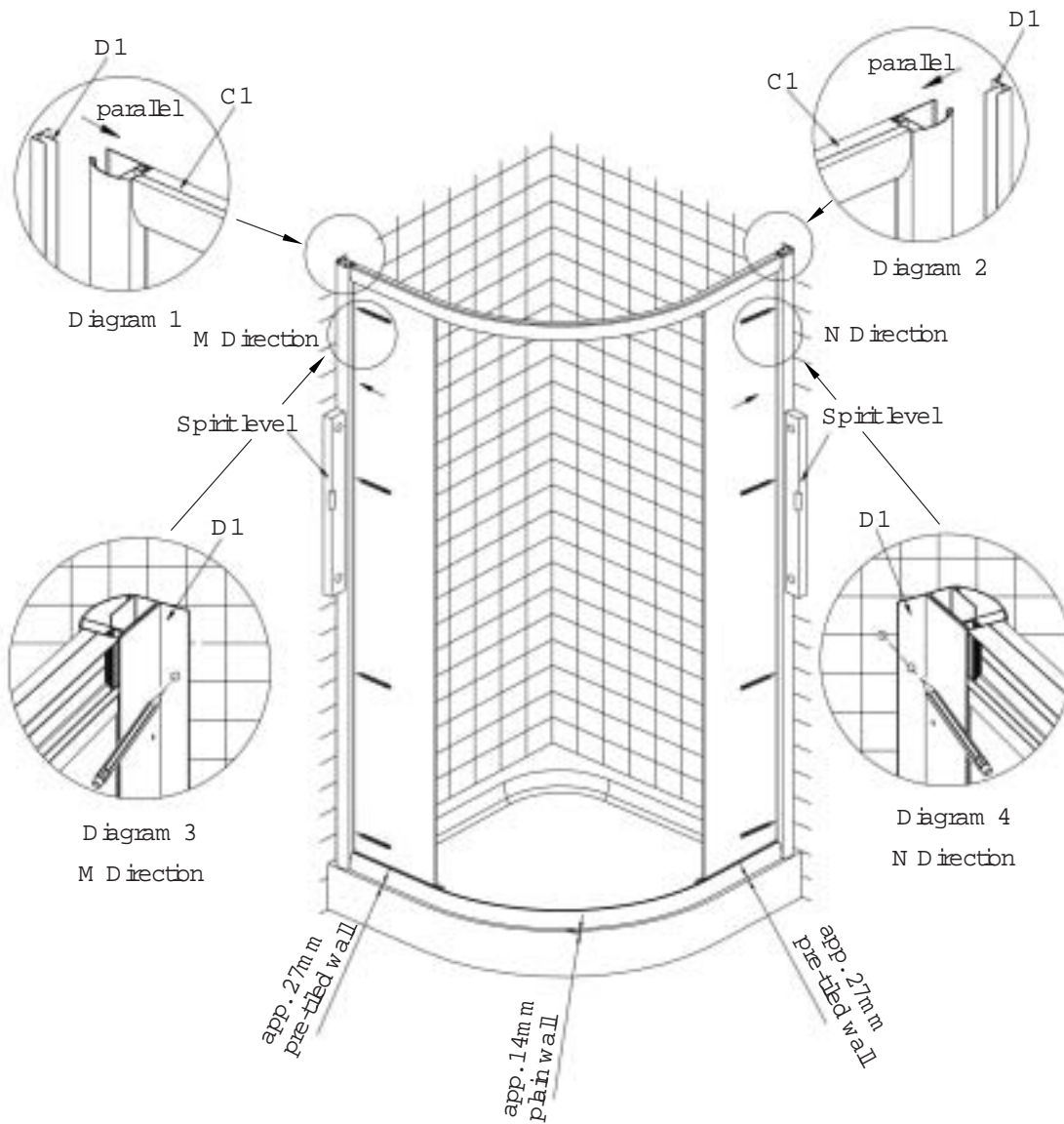
GLASS FASTENER ASSEMBLY

- Set glass fasteners (I2) at 4 corners of fixed side panels (See diagram 2).
- Mark drillpoints on the top and bottom track (A1) via pre-drilled holes of glass fasteners (I2) with pencil.
- Drill holes with $\varnothing 3\text{mm}$ bit in maximum 5mm depth.
(Note: Please do not drill through the tracks A1 or otherwise it will damage the track's surface.)
- Fix the glass fasteners by 2 screws ST3.5x16 (J2) (See diagram 1).

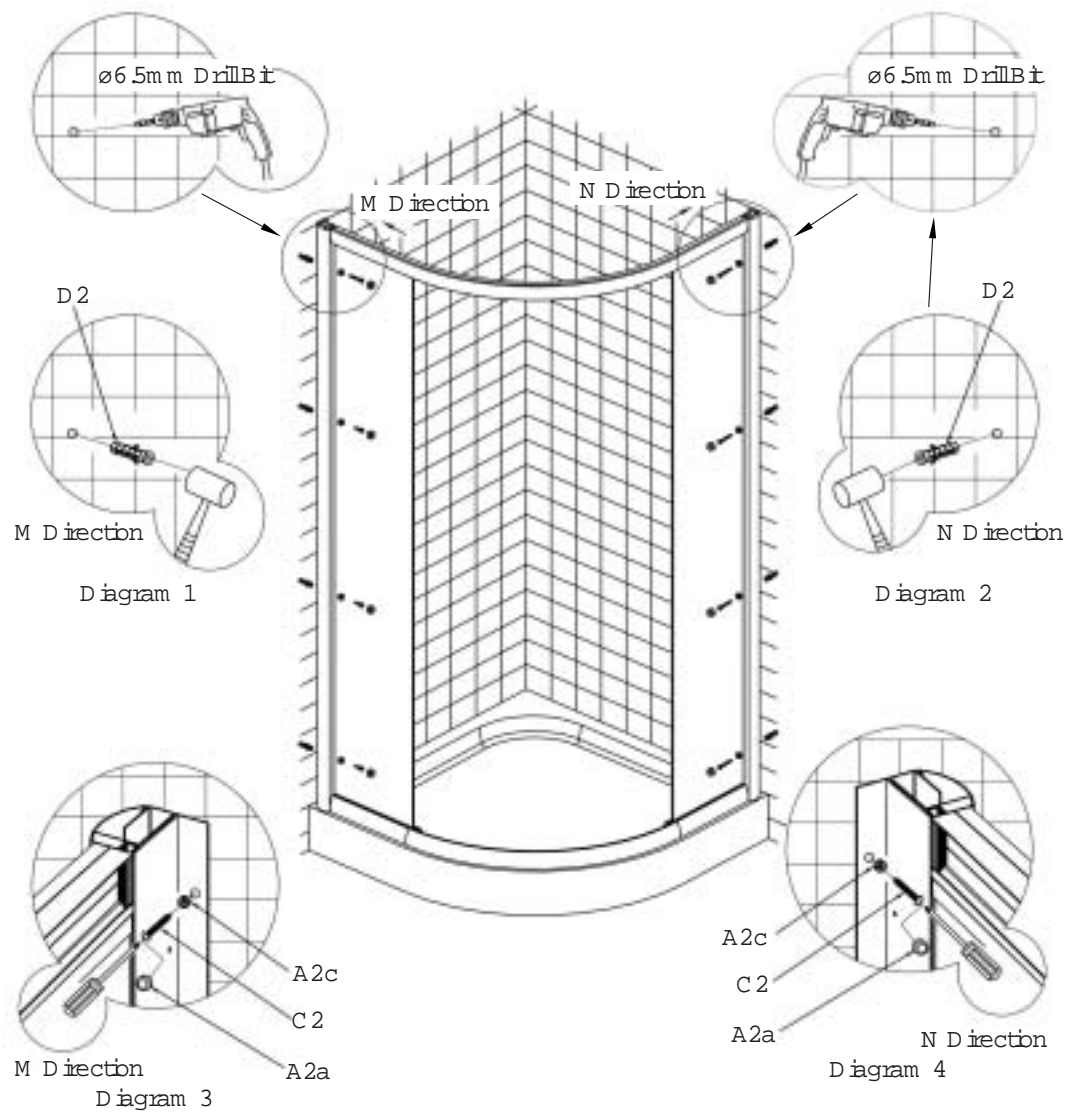


W ALL PROFILE ASSEMBLY

- Insert wall profiles (D1) into the left and right fixed side panels according to diagram 1 and 2. The wall profiles and curve track must be parallel.
- Place the whole panel set on the tray.
(Note: The distance between the edge of curve track and the edge of tray should be app. 27mm for pre-tiled wall and 14mm for plain wall).
- Place wall profiles vertically align on walls and check with spirit level. Use pencil to mark drill points via pre-drilled holes of wall profiles. Put the whole panel set down from the tray. (see diagram 3 and 4)



- Drill hole with $\varnothing 6.5\text{mm}$ bit in 35mm depth, use rubber mallet to insert wall plugs (D2) into the hole (See diagram 1 and 2).
- Put the whole fixed panel setback on the tray. Fix it with screw (C2) and screw cap (A2c). Clip screw cover (A2a) on (See diagram 3).
- Repeat procedure for the right wall profile (See diagram 4).

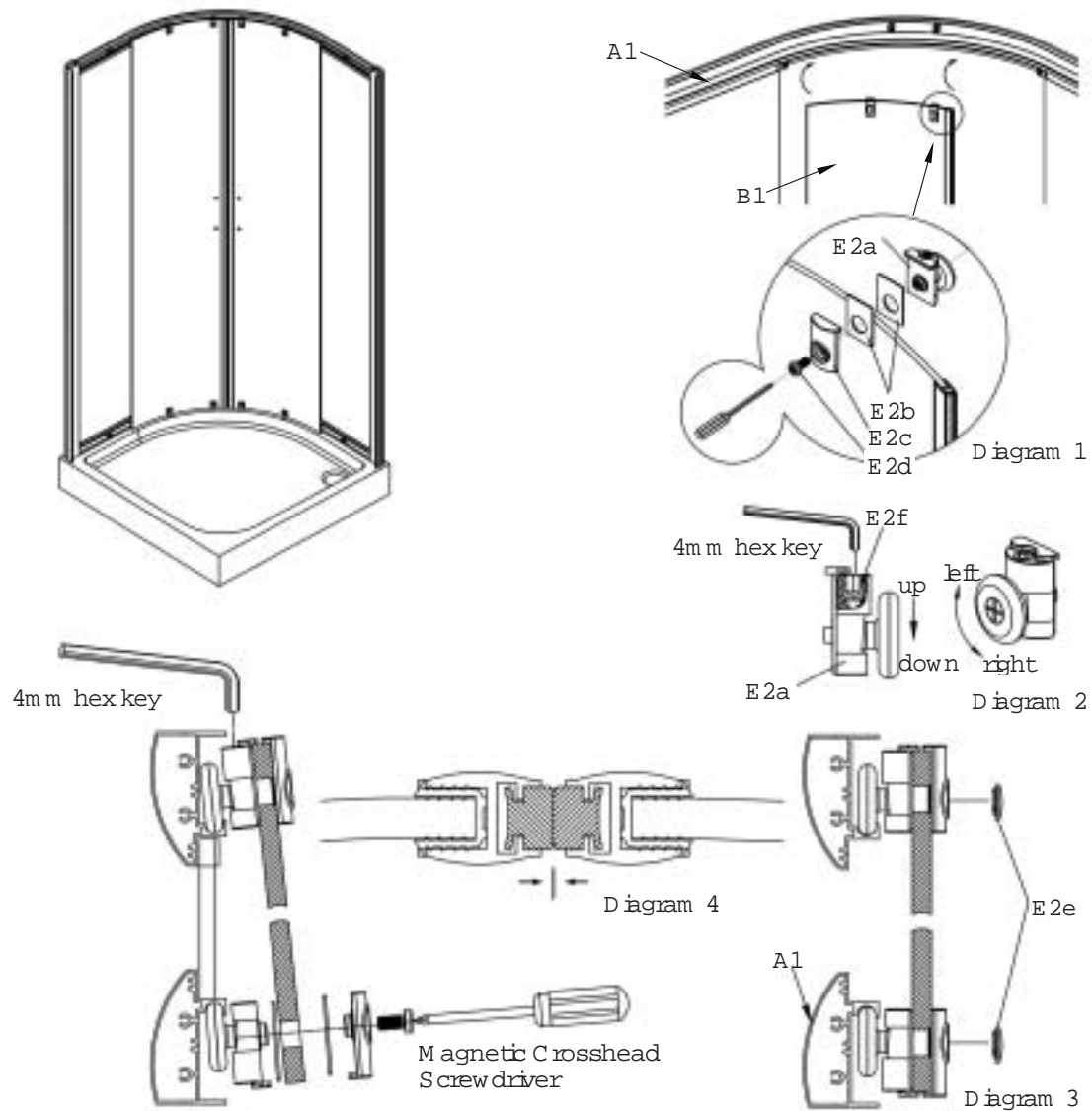


MOVABLE GLASS DOOR ASSEMBLY

- Release wheelsets (E2), fix two wheelsets via holes of movable glass panel according to diagram 1. (Note: Glass panel must be between two rubber mats.) Hang glass doors (B1) on the top track (A1).
- According to diagram 2, adjust screw E2f by 4mm hex key. Make sure the wheelsets work smoothly.

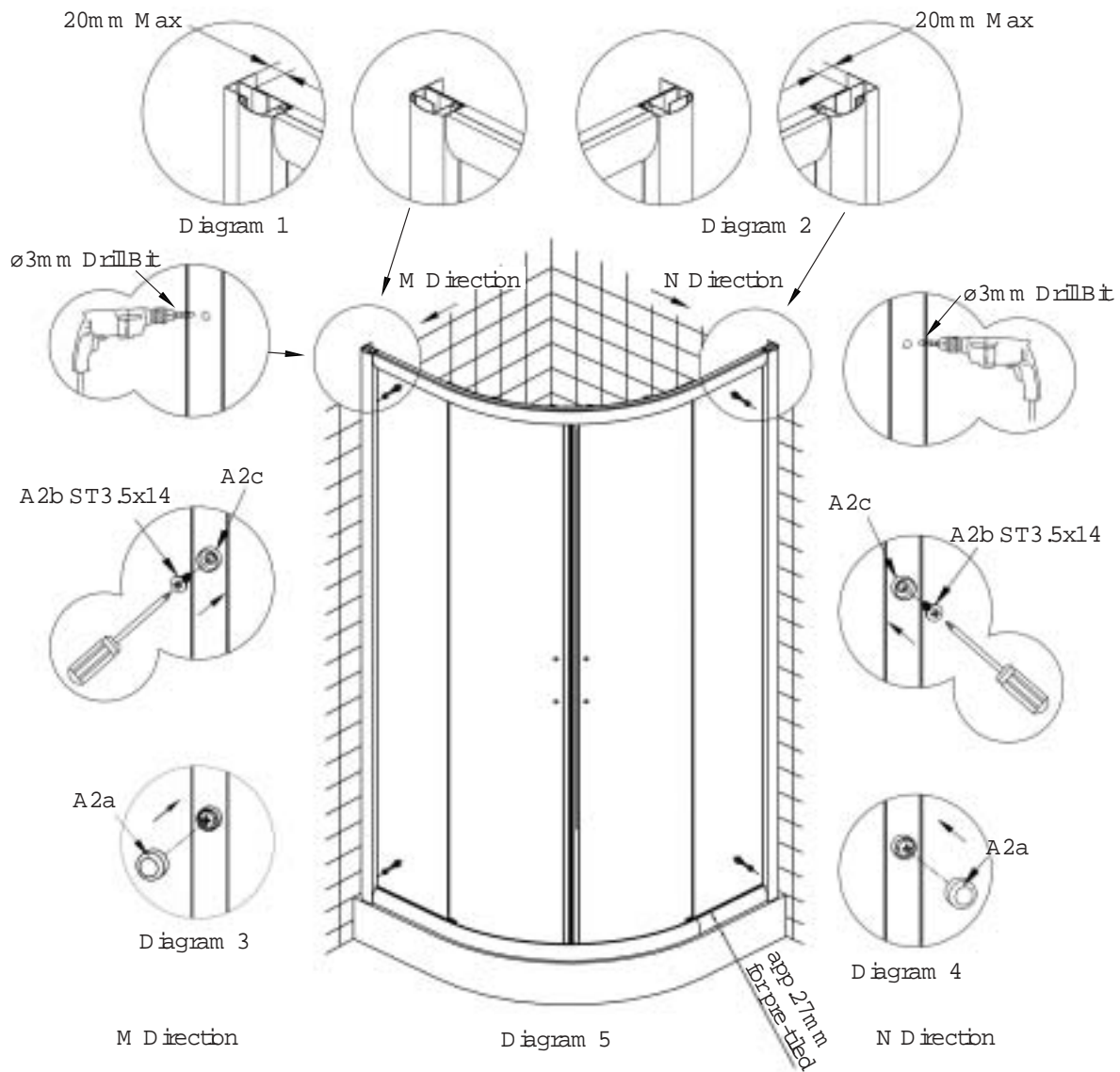
Note: Do not fix the wheelsets too tight. Over-force will damage the wheels.

- Install sliding wheelsets (E2) on the bottom of glass doors to the bottom track (See diagram 3).
- Repeat procedures for sliding wheels of left movable door.
- Note: Adjust door sliding wheels by 4mm hex key until the movable doors can be closed completely (See diagram 4).



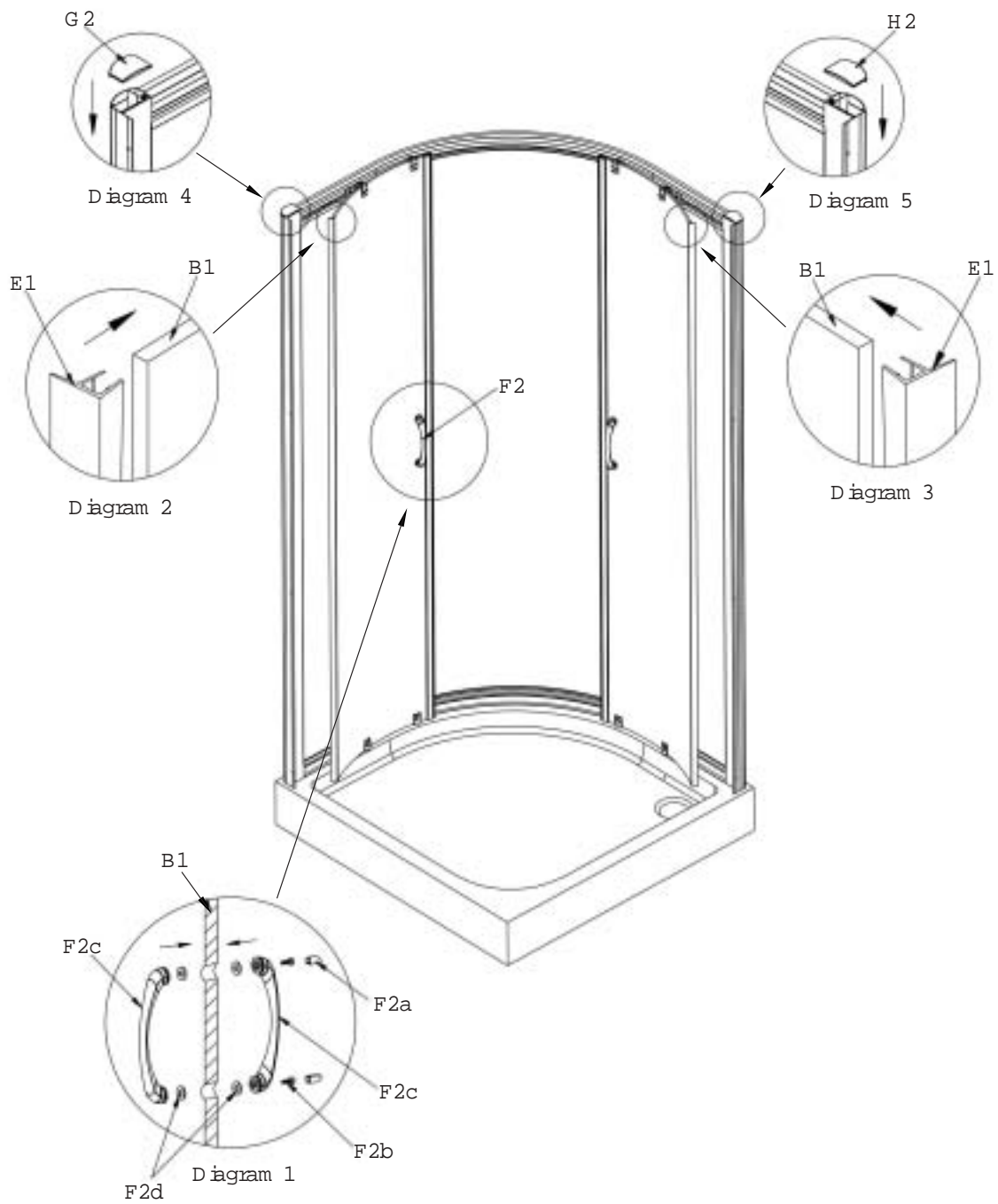
FIX WALL PROFILES WITH FIXED SIDE PANEL SET

- Keep bottom track aligns on tray completely by adjusting overlap surface between the wallprofiles (D1) and fixed side panelprofiles.
- Note: There is maximum 20mm adjustable distance for out of true wall case (See diagram 1 and 2).
- Keep the edge of bottom track in an average distance with the edge of tray by adjusting overlap surface between wallprofiles and fixed side panelprofiles too. The distance between edge of bottom track and edge of tray is app. 27mm for pre-tiled wall installation (See diagram 5).
- Drill holes with $\varnothing 3\text{mm}$ bit in 5mm depth via pre-drilled holes of fixed side panels (C1).
- Fix wallprofiles (D1) with fixed side panels by screw ST3.5 x 14 (A2b) and screw cap (A2c), clip screw covers on (A2a) (See diagram 3 and 4).



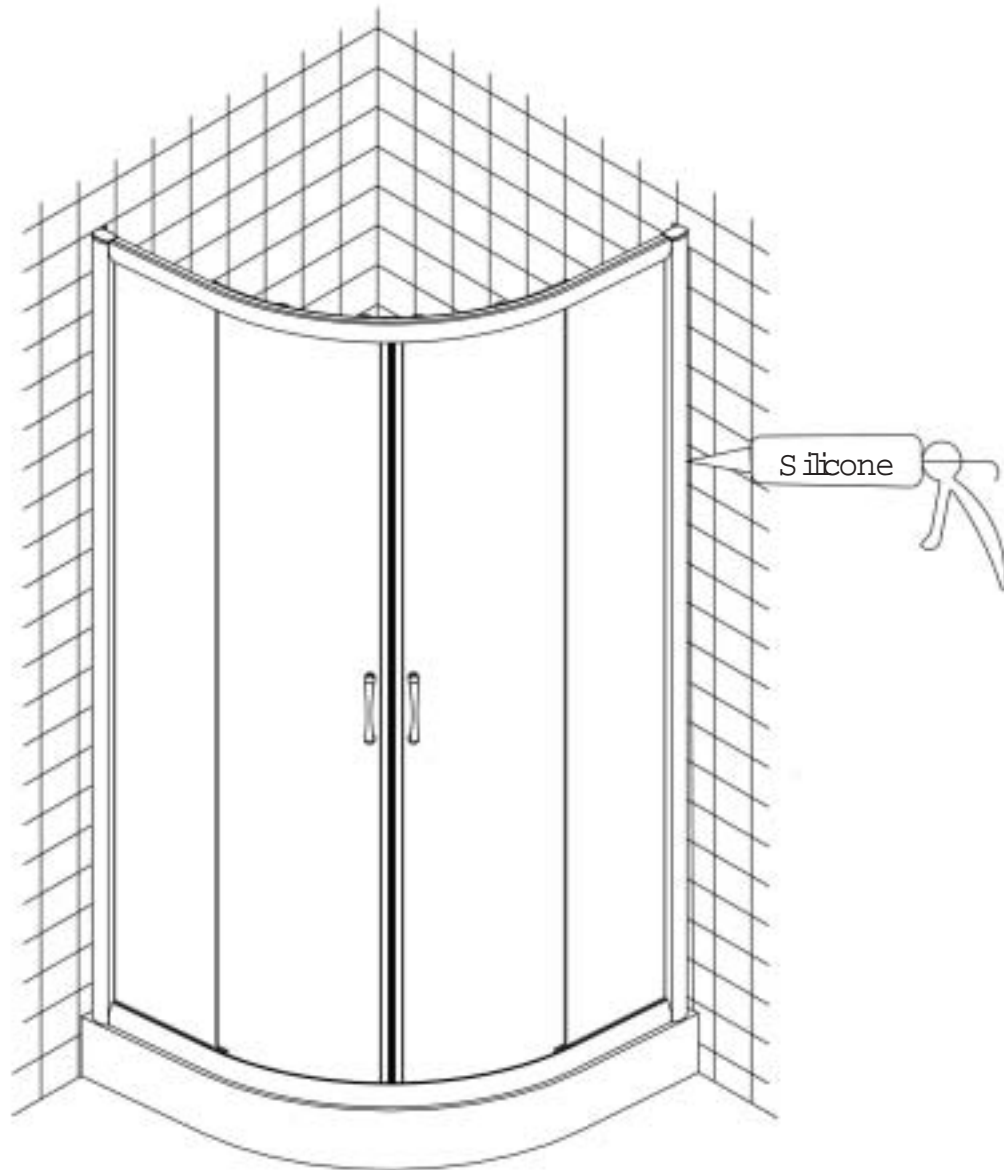
DOOR HANDLE , SPLASH SEAL AND PROFILE CAP ASSEMBLY

- Set door handle on the holes of movable door according to diagram 1.
- Note: Rubber mats F2d should be placed on both sides of glass door.
- Insert splash seal (E1) at each side of movable glass door B1 (See diagram 2 and 3).
- Clip left and right profile caps (G2 and H2) on the fixed side panels according to diagram 4 and 5.

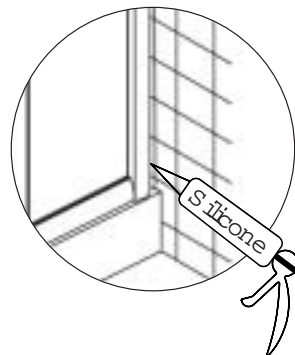


APPLY SILICONE SEALANT TO THE JOINTS

-Do not use the enclosure for at least 24 hours in order to allow silicone to dry fully.



DO NOT USE THE ENCLOSURE FOR AT LEAST 24 HOURS IN ORDER TO ALLOW SILICONE TO DRY FULLY.



Apply silicone sealant to the joints.

-For further information, please contact Customer Services customerservices@plumbworld.co.uk

plumbworld
Big brands, small prices.

Pdf Supplied By <http://www.plumbworld.co.uk/>