



MR8 MR11 MR16/GU10 WALKOVER UPLIGHTS IP68




**PLEASE READ THESE INSTRUCTIONS CAREFULLY BEFORE INSTALLATION
LEAVE A COPY FOR THE USER / MAINTENANCE ENGINEER FOR FUTURE REFERENCE**

FEATURES

- IP68 rated low/mains voltage walkover uplights.
- Suitable for interior and exterior use e.g. bathrooms, decking etc.
- Fitted with 0.5m of cable for connection to the supply.

IMPORTANT INSTALLATION INFORMATION

- Installation should be carried out in accordance with the latest edition of the I.E.E. Wiring Regulations (BS7671) and taking into consideration the latest Building Regulations. If in doubt, consult a qualified electrician.
- **WARNING! The lens and front bezel can become very hot!** For installations where the lens or bezel may come into contact with bare skin (e.g. shower or bathroom) a maximum 10-Watt lamp is permitted. A maximum 20-Watt lamp may be used in walkways.
- This luminaire can be fitted with various lamp types dependent upon its size and application:
 - AU-WU691/25
 - MR8 Low Voltage Halogen – Max. 20W (requires low voltage transformer)
 - MR8 LED (requires Aurora LED controller)
 - AU-WU691/35
 - MR11 Low Voltage Halogen – Max. 20W (requires low voltage transformer)
 - MR11 LED (requires Aurora LED Controller)
 - AU-WU691/50
 - MR16 Low Voltage Halogen – Max. 35W (requires low voltage transformer)
 - MR16 LED (requires Aurora LED Controller)
 - GU10 Mains Voltage Halogen or LED – Max. 35W (Earth required with mains voltage)
- **IMPORTANT.** Ensure that ALL electrical connections are tight with no loose strands, including factory made connections
- This luminaire is suitable for installation outside in decking. Do not use this product supplied at mains voltage in bathrooms and showers. Supply at low voltage.
- The luminaire must not, under any circumstances, be covered with any insulation materials and luminaires must not be installed close to flammable materials.
- Before commencing installation or maintenance, ensure electricity is switched off at the mains.
-  Suitable for mounting on normally flammable surfaces. (AU-WU691/25/35 – Max. 20W Halogen lamp. AU-WU691/50 – Max. 35W Halogen lamp).
- In the case of the AU-WU691/50 and using mains Halogen lamps, the body of the luminaire **must** be earthed. If supplying at low voltage (12V AC or DC) the body of the luminaire **must not** be earthed.

IMPORTANT USER INFORMATION

- There are no user serviceable parts in this luminaire.
- Replace any cracked protective glass immediately and use only original parts to do this.

INSTALLATION INSTRUCTIONS

1. Select the required position for the luminaire. Beware of joists, water pipes and electric cables. Use the cut-out template on the inside lid of the box to cut a hole in the mounting surface for the type of luminaire to be fitted.
2. When installing mounting sleeve (Fig.1) into ground always prepare a minimum of 30cm of drainage gravel under the sleeve housing, to allow for drainage. Check that drainage is adequate by filling the sleeve with water and confirming that the water has completely drained in 30 minutes. To avoid any water damage to this luminaire it may be necessary to add further drainage (e.g. a drainage tube)

3. Open luminaire cover with tool provided. Ensure spring is in place before connecting lamp to the lampholder (See Fig.2). In the case of the AU-WU691/50 a GU10 or an MR16 lampholder (both provided) can be used.
4. Hold in the sprung wings on the sides of the luminaire and push the luminaire into the cut-out aperture. If required silicon sealant may be used to seal the product in the aperture.

GENERAL

- This fitting is IP68 rated and is protected against immersion in water to a maximum depth of 2m when correctly installed. It is suitable for installation in locations containing a bath or shower, as defined by the I.E.E Wiring Regulations, Zones 0, 1, 2 & 3. See Fig.3 below.
- NOTE: Only electrical items protective by SELV (Safety Extra Low Voltage – a nominal voltage not exceeding 12V AC or 30V DC) are permitted in Zone 0

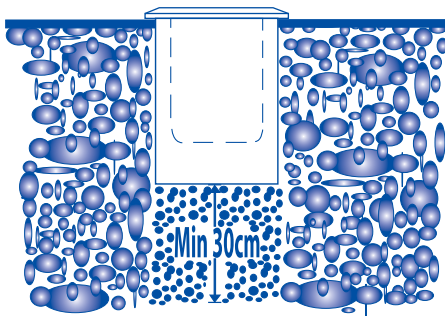
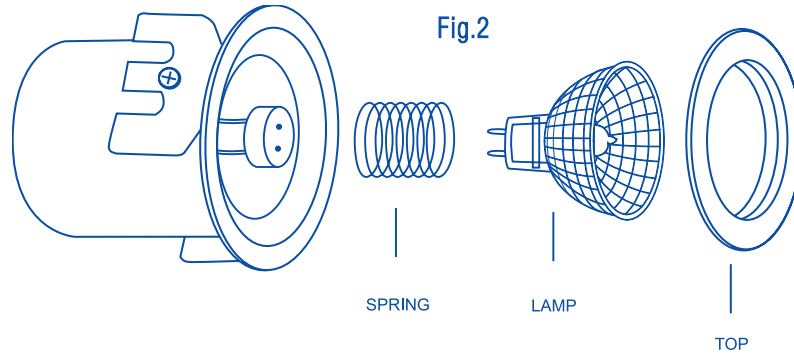


Fig.1

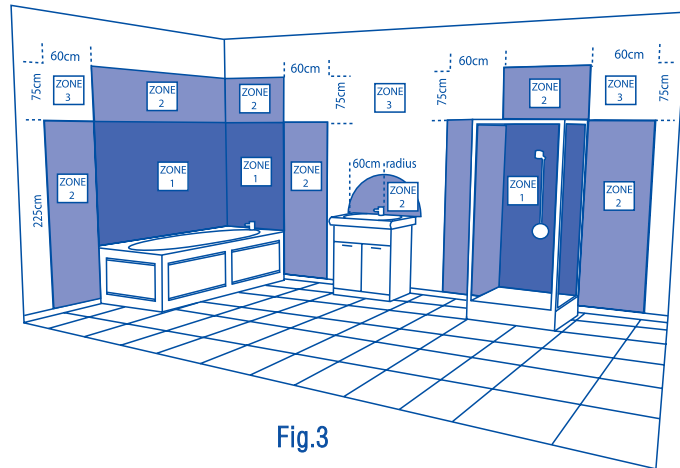


Fig.3

GUARANTEE

This product is guaranteed in the UK for a period of 1 year from the date of purchase. The guarantee is invalid in the case of improper use, installation, tampering, removal of the Q.C. date label, installation in an improper working environment or installation not according to the current edition of the I.E.E. Wiring Regulations (BS7671). Should this product fail during the guarantee period it will be replaced free of charge, subject to correct installation and return of the faulty unit. Aurora does not accept responsibility for any installation costs associated with the replacement of this product. Your statutory rights are not affected. Aurora reserves the right to alter specifications without prior notice.