



Bathroom Wall Lights



INSTALLATION INSTRUCTIONS

READ THESE INSTRUCTIONS BEFORE INSTALLATION

PLEASE LEAVE A COPY FOR THE USER/MAINTENANCE ENGINEER FOR FUTURE REFERENCE

GENERAL

- Aurora mirror lights are to be connected to a 240V mains supply.
- Ensure that ALL electrical connections are tight with no loose strands.
- This fitting may be dimmed using a standard incandescent dimmer switch. Ensure that the maximum load rating of the dimmer is not exceeded. Take note of the dimmer manufacturer's de-rating advice for halogen lamps.
- Dependent on your product a pull cord switch has been incorporated into this luminaire for your convenience to allow independent switching.

IMPORTANT

- Installation should be carried out by a qualified electrician and in accordance with the latest edition of the I.E.E. Wiring Regulations (BS7671) and taking into consideration Part P of the building Regulations. If in doubt, consult a qualified electrician.
- Input voltage - 240V 50Hz AC.
- Use only with G9 lamp cap, maximum rating 25-Watts.
- This luminaire is for indoor use only.
- Before commencing installation ensure electricity supply is switched off at the mains.
- This fitting is IP44 rated and is protected against splashing water from all directions when correctly installed. It is suitable for installation in locations containing a bath or shower, as defined by the I.E.E Wiring Regulations, Zones 1, 2 & 3 EXCEPT where water jets are likely.

IMPORTANT USER INFORMATION

- Always switch off mains supply before servicing, fitting or changing the lamp.
- Replace failed lamps immediately. Allow the glass, lamp and fitting to cool before replacing the lamp.
- Check that the correct lamp type and wattage is fitted as indicated on the rating label.

INSTALLATION

1. Loosen the two mounting base fixing screws on the fitting and remove the base from the bracket.
2. Fix the mounting base to the wall with the screws / wall plugs provided. Beware of joists, water pipes and electric cables when drilling holes.
3. Connect the mains supply cable to the terminal block as follows. Ensure that there are no exposed conductors or trapped insulation. Conductor size 1 - 1.5mm². Connections should be tight with no loose strands.

SWITCHED LIVE - (red or brown) to terminal marked L.

NEUTRAL - (black or blue) to terminal marked N.

EARTH - (green/yellow) to terminal marked E or 

These fittings must be earthed.

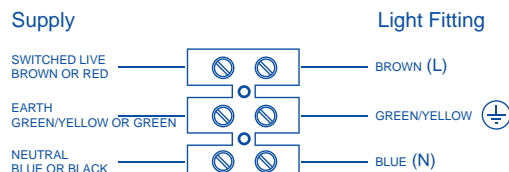


Fig.1

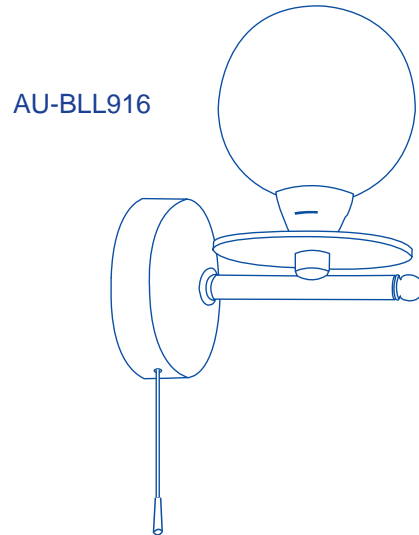


Please note: If your light fitting is not at the end of a wiring 'spur' there will be a pair of live 'through' wires in your supply wiring which are coloured either red or black. These should be connected together using an additional terminal block as shown in Fig.1 overleaf. If in any doubt, consult a qualified electrician.

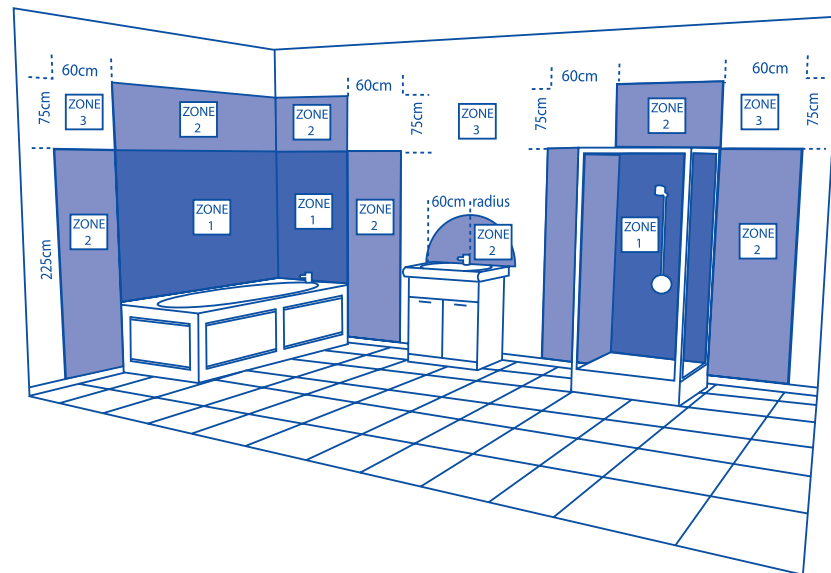
4. Replace the cover ensuring that cables are not trapped between the cover and the wall/mounting bracket. Replace the two mounting bracket fixing screws.
5. Unscrew the glass shade and insert the lamp into the lampholder by pushing the two pins in. Ensure that the lamp is correctly located in the lampholder, replace the glass shade. Switch on the power supply.

GUARANTEE

This product is guaranteed in the UK for a period of 1 year from the date of purchase. The guarantee is invalid in the case of improper use, installation or tampering. Should this product fail during the guarantee period it will be replaced free of charge, subject to correct installation and return of the faulty unit. Aurora does not accept responsibility for any installation costs associated with the replacement of this product. Your statutory rights are not affected. Aurora reserve the right to alter specifications without prior notice.



This fitting may be installed in rooms containing a bath or shower, Zones 2 & 3 EXCEPT where water jets are likely. Please refer to the I.E.E Wiring Regulations BS7671:2001 Section 601 for Zone dimensions.



plumbworld
Big brands, small prices.

Pdf Supplied By <http://www.plumbworld.co.uk/>