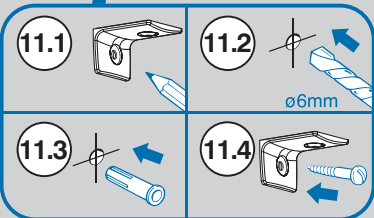
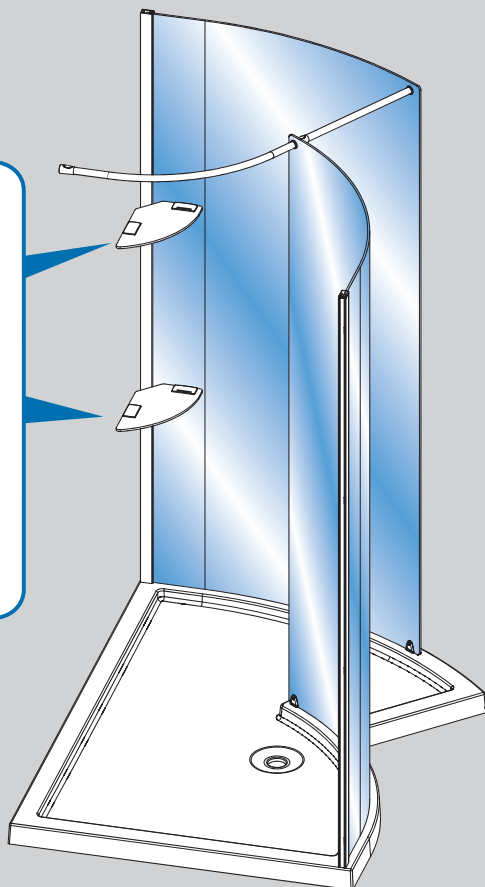
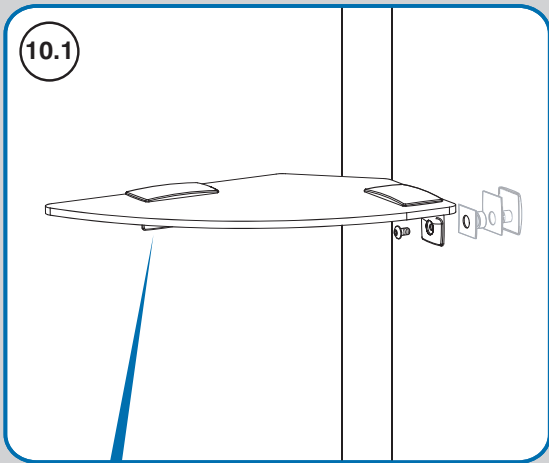
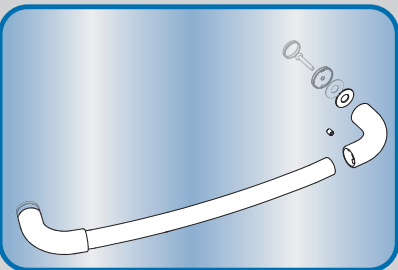
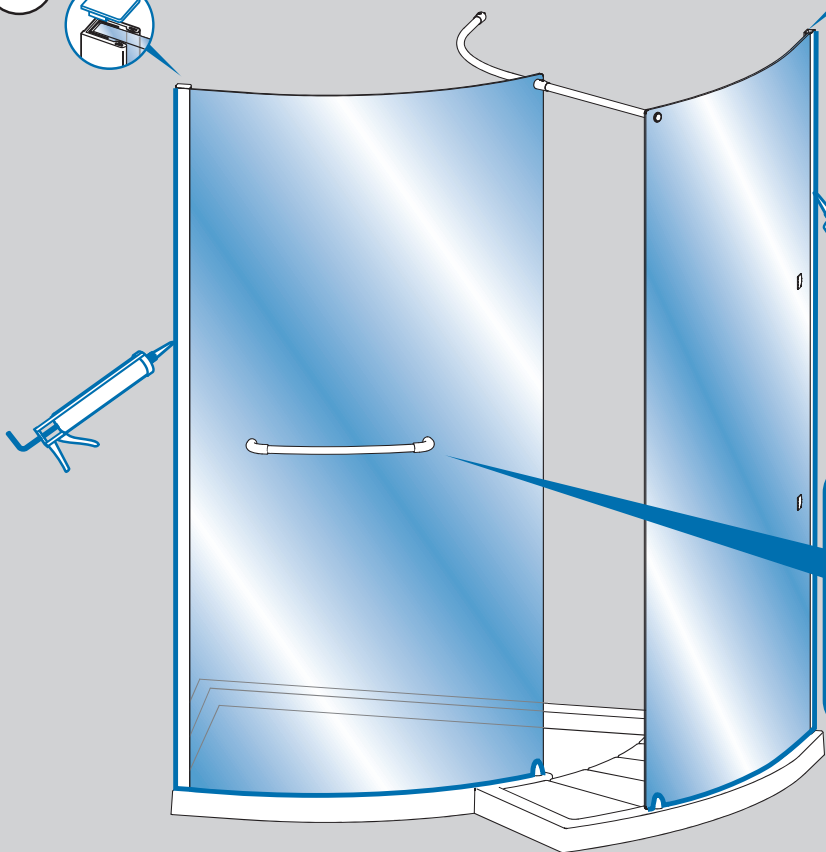


10

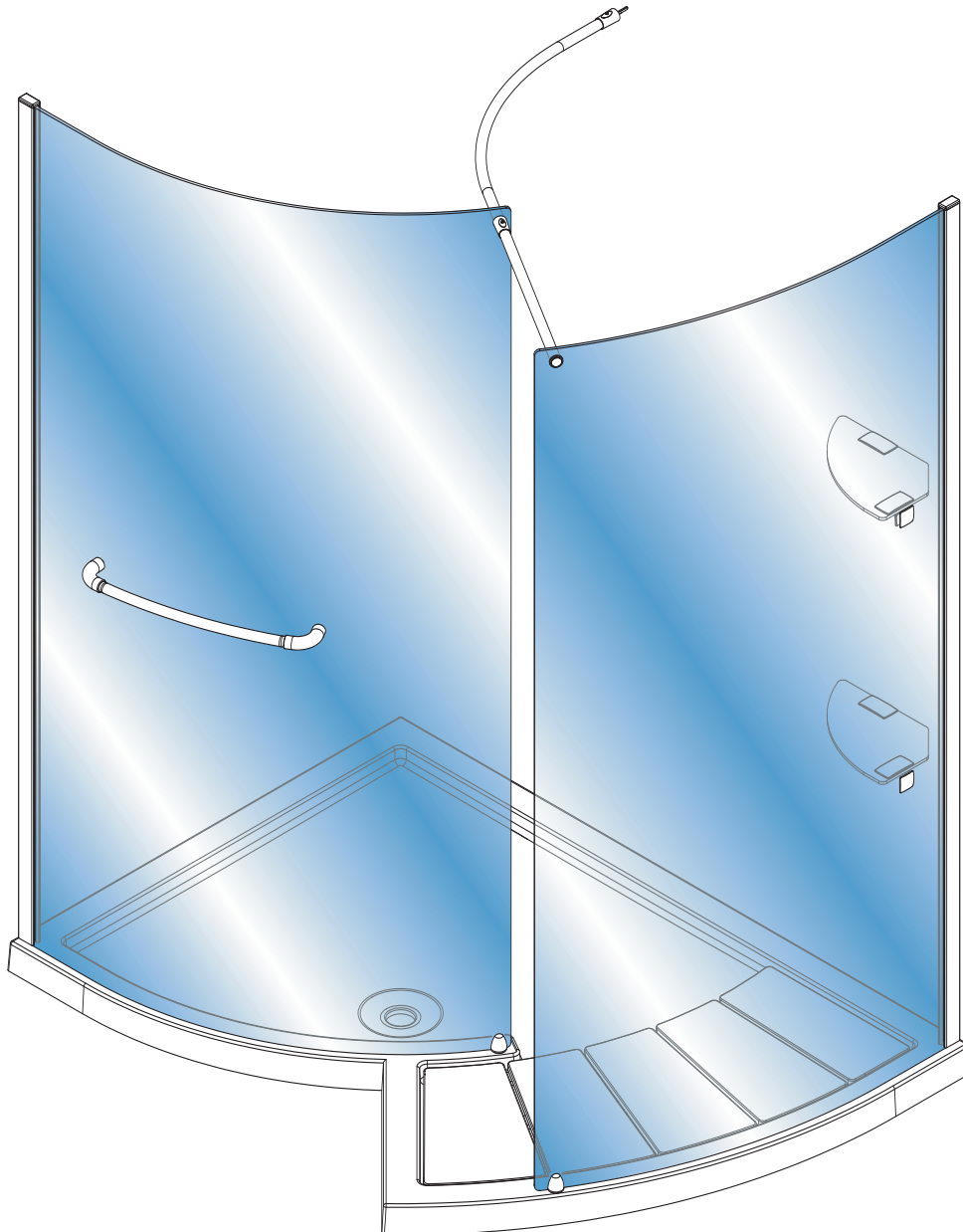
10.1



12

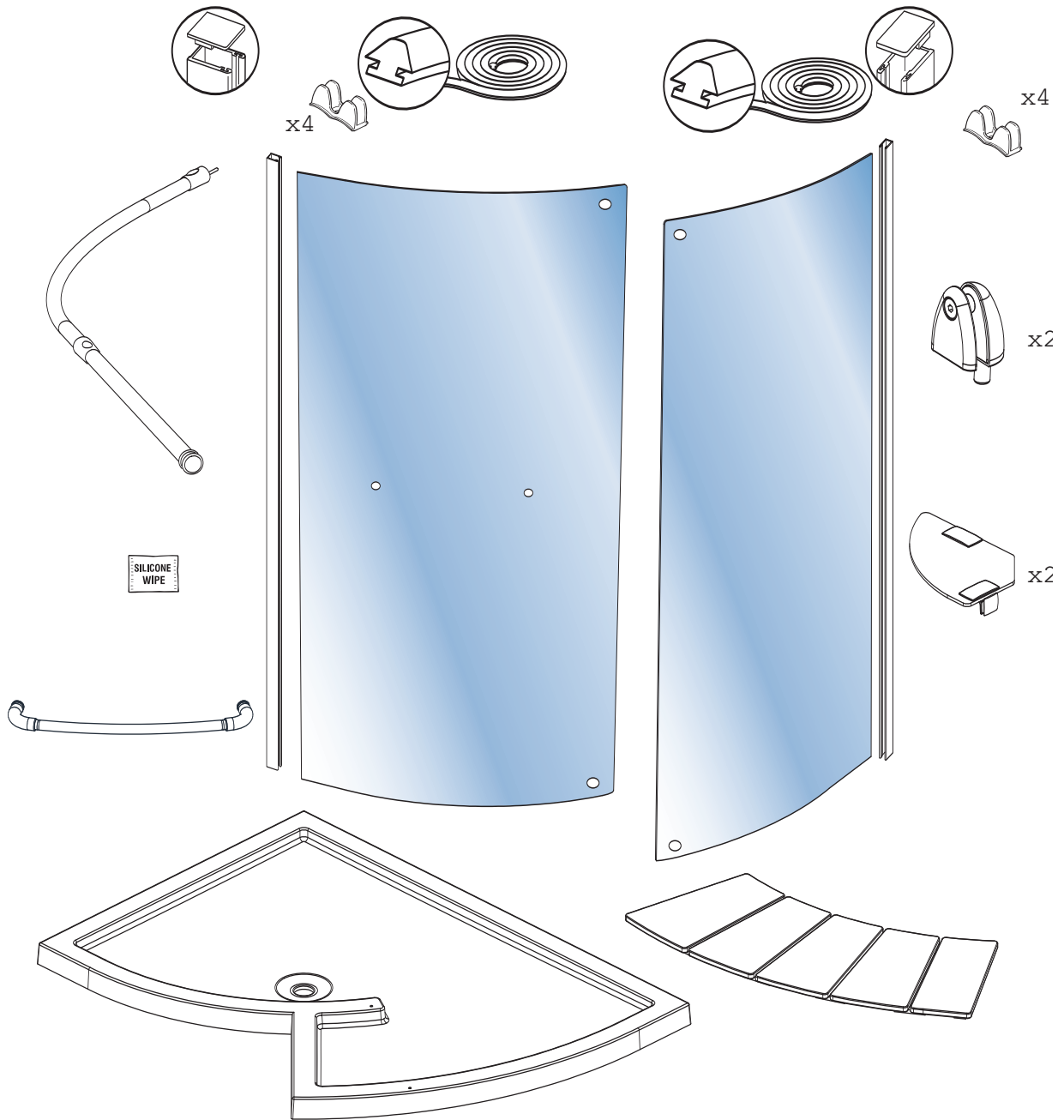


# Walk Around Shower Enclosure



## Step-by-Step Installation Guide

# Walk Around Shower Enclosure Components



## BEFORE YOU START!

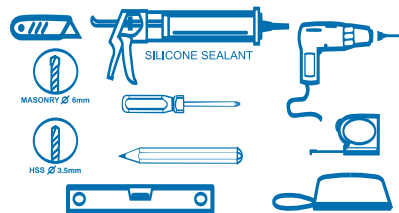
Ensure that there is room for the product to fit  
Check the stated size adjustment ranges on the label

Inspect the product for any damage

Consult the installation instructions

The enclosure must be fitted to a non-porous surface

Fully seal the tray with silicone sealant before fitting the enclosure

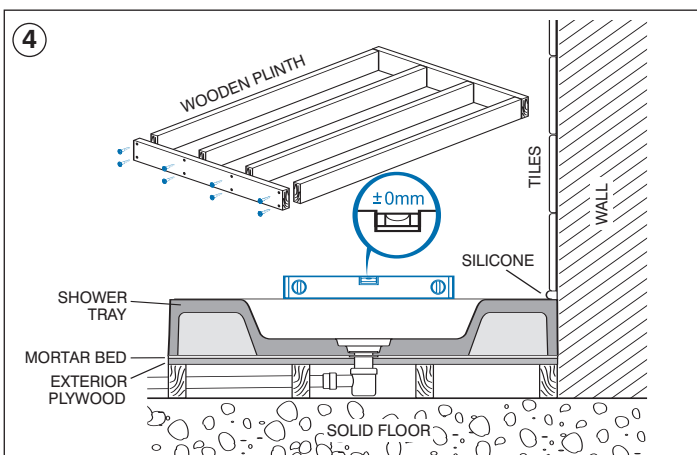
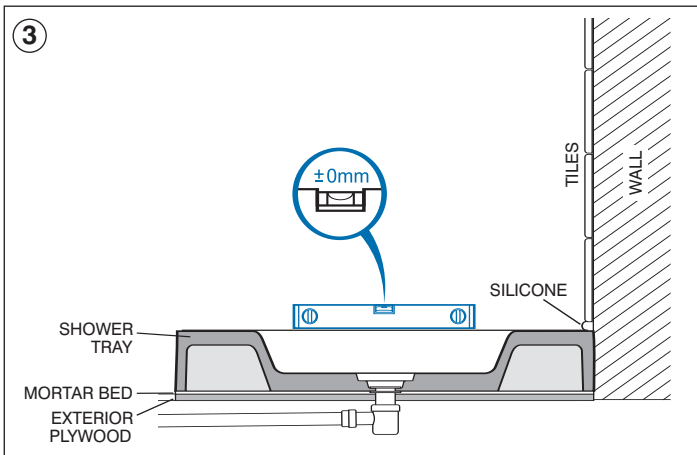
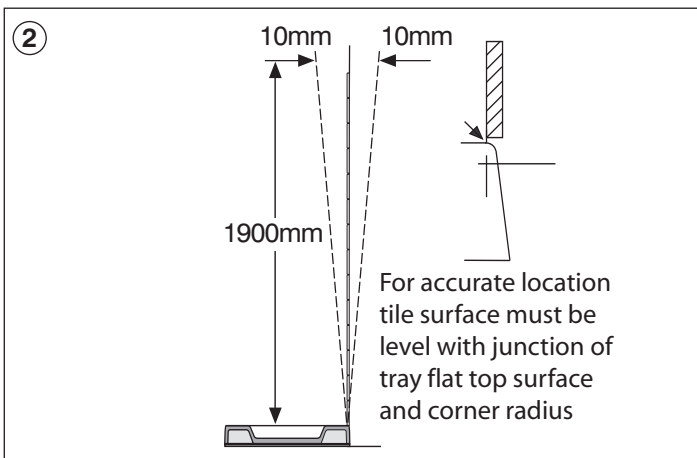
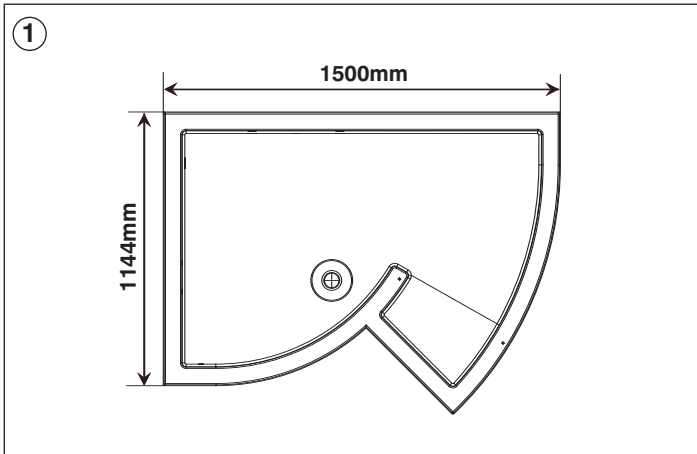


**0870 241 6131**

LINES OPEN: 8.30am - 5.00pm MONDAY - FRIDAY  
STANDARD NATIONAL CALL CHARGE RATE  
FROM BT LANDLINES

**WARNING: These shower trays are fragile! HANDLE WITH CARE!**

**Read these instructions carefully before starting the installation.**



- The shower tray should be protected with cardboard, cloth or other similar soft material whilst work is in progress.
- It is essential that the shower tray is installed with the edges level and totally supported to prevent movement or rocking when used.
- Remove the protective film and check all surfaces for chips, marks or cracks. Once the product installation has commenced the manufacturer can take no responsibility for damage to the product, with the exception of porosity.
- Place the shower tray on a flat surface and check that it is not twisted, and that the Walk-in shower panel(s) will sit on the surface when fitted.
- Please note: The tray needs to be fitted directly to a solid floor, or alternatively onto 12mm (1/2") thick exterior plywood, which can either be surface mounted or inlaid to joist level for suspended floors, see diagram 3.
- **IMPORTANT:** When fitting shower tray to the wall, check the shower door dimensions and adjustments to make certain that the shower tray is exposed to fit the product correctly onto it, see diagrams 1 & 2. Use a spirit level to check the walls are plumb or fall within 10mm dimensions shown.
- Stone or cement floors, see diagram 4: A wooden plinth to suit base of the shower tray should be built. Ensure that the depth is adequate to accommodate the waste trap. Secure a piece of 20mm exterior plywood of a suitable size to the top of the plinth.
- Set up the tray and carefully mark a circle through the waste outlet hole with a pencil.
- Remove the tray and cut a suitable sized hole to take the waste trap fitment. Make certain that neither the waste pipe nor trap will be obstructed as this may cause leakage. Care should be taken to keep the size of the hole to a minimum, so as to maximise an even loading over the base of the tray.
- Fit the waste trap, using silicone sealant and PTFE tape where applicable.
- Mix a stiff 5/1 composition of sand and cement mortar, or use ready mixed sand and cement, prepared to manufacturers instructions and spread it evenly over the area that the base of the tray will sit.
- Place tray onto mortar bed, then using a spirit level make sure it is absolutely level, see diagrams 3 & 4.
- Connect the waste pipe, and then water test the tray and pipe connection.
- When tiling down to the tray, leave a 3 - 4mm gap to allow a good sized silicone sealing bead. Use a waterproof tile adhesive and anti-fungal grout.
- Alternatively, use a cladding solution, fitted to the manufacturer's recommendations.
- Make sure that the surfaces are clean, dry and dust free then generously seal the joint between the tray and tiles/cladding with an anti-fungal silicone.
- **A COMPLETE WATERTIGHT SEAL IS ESSENTIAL AS ANY LEAKAGE COULD DAMAGE THE FLOOR OR PLYWOOD SUPPORT.**
- **Wait 24 hours before standing on the tray, to allow the mortar to fully set and the silicone to cure.**
- Wooden support plinth (diagram 4) - When the shower tray has been installed we recommend that the faces of the plinth are fully tiled.
- **CLEANING AND GENERAL CARE** - Clean the tray with soapy water using a soft, bristle brush for the crevices, then rinse and dry. Finish off with a soft clean towel. Avoid all abrasives and harsh detergents.
- The wooden foot board should be cleaned regularly with soapy water, allowed to dry, and when required coated with clear hardwood or linseed oil. NB After re-oiling allow 24 hours before use, to reduce the risk of slipping.

