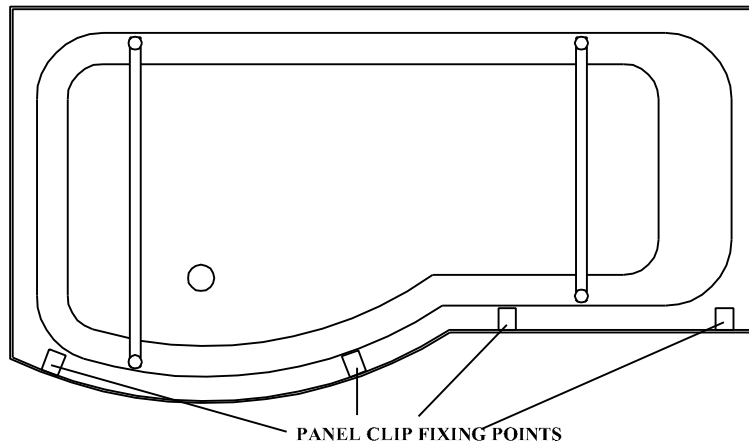
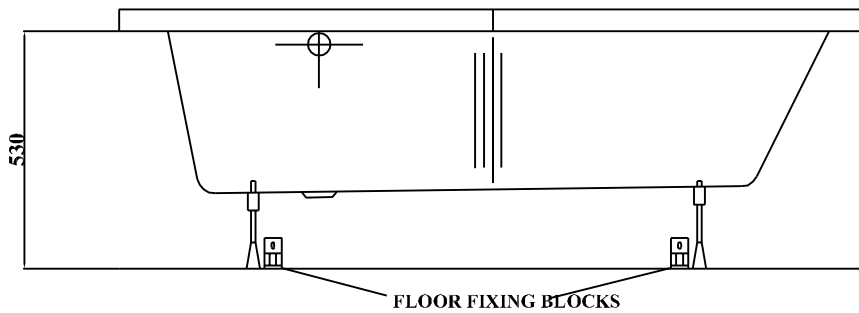


## **B BATH PANEL FIXING INSTRUCTIONS**

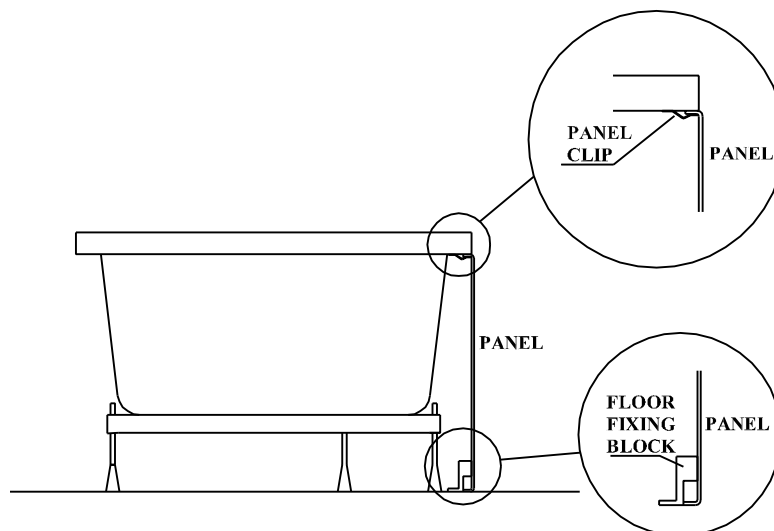


**FIX THE PANEL CLIPS TO THE 4 WOODEN BLOCKS UNDER THE BATH RIM**



**MEASURE THE HIEGHT OF THE PANEL, AND SET THE BATH TO THIS DIMENSION FROM THE FLOOR TO THE UNDERSIDE OF THE BATH RIM.**

**SET THE FLOOR FIXING BLOCKS INTO POSITION AS SHOWN ABOVE.**



**PLACE THE FLOOR BLOCKS SO THEY ARE PLUMB WITH THE BATH RIM AND CLIP THE PANEL INTO POSITION.**

**plumbworld**  
**Big brands, small prices.**

Pdf Supplied By <http://www.plumbworld.co.uk/>