

# Installation Instructions For Monsoon Universal Twin Pump



High Pressure N2.5 bar  
High Pressure N3.5 bar

High Pressure N4.1 bar

INDEX .....	Page No
Product Description .....	1
Application .....	1
Storage .....	2
Typical Installation .....	2
Pre-Installation Check .....	2
Pump Location .....	3
Pipework .....	5
Pump Connections .....	6

INDEX .....	Page No
Electrical Installation .....	10
Commissioning .....	13
Maintenance .....	15
Technical Specification .....	18
Noise .....	19
Trouble Shooting Guide .....	19
Environment Protection .....	20

## PRODUCT DESCRIPTION

Electric motor driven twin ended peripheral pumps complete with an automatic control system, consisting of flow switches, pressure switch and pressure vessel and electronic controls.

## APPLICATION

Monsoon Universal pumps are suitable for positive or negative head installation conditions. The pumps are designed for whole house pressure boosting applications in vented stored water systems. Inlet pressures to the pump and ambient temperatures must not exceed the values given in the technical specifications.



- **This pump set must not be used for any other application without the written consent of Stuart Turner Limited and in particular, must not be connected directly to the mains water supply.**
- **This appliance is not intended for use by persons (including children) with reduced physical, sensory or mental capabilities, or lack of experience and knowledge, unless they have been given supervision or instruction concerning use of the appliance by a person responsible for their safety.**  
**Children should be supervised to ensure that they do not play with the appliance.**
- **WARNING - Washer/condenser dryers and condenser dryers.**  
**The pump must not be used in the water supply line to a washer/condenser drier or a condenser drier, which uses a constant flow of cold water to aid the condenser drying process, as damage can occur to the pump. If in doubt or for further information contact Stuart Turner Ltd.**

**Please leave this instruction booklet with the pump as it contains maintenance and safety information**

## STORAGE

If this product is not to be installed immediately on receipt, ensure that it is stored in a dry, frost and vibration free location in its original packaging.

## TYPICAL INSTALLATION (Universal Twin Pump System)

This diagram should be used for schematic reference only

- Item 1 = System service valves (not supplied) should be fitted.
- Item 2 = Flexible hoses complete with integral pump isolating valves (supplied).



The plumbing installation

must comply with the following:  
The Water Supply (Water Fittings) Regulations 1999.  
BS6700 and building regulations.  
Be installed by a competent person.

- If in doubt consult **Stuart Turner Ltd.**

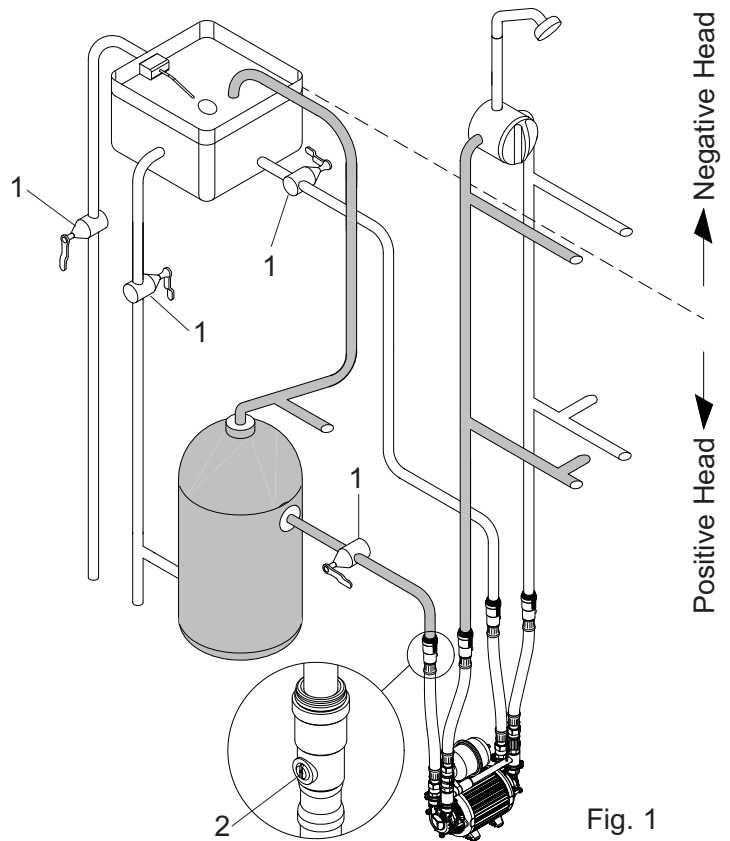


Fig. 1

## STEP 1: PRE-INSTALLATION CHECK

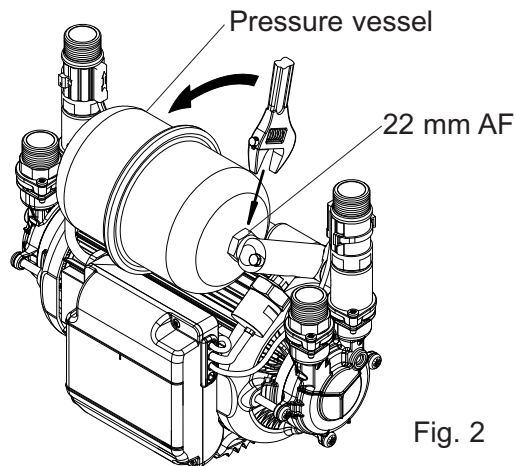


Fig. 2

The pressure vessel (Fig. 2) is factory fitted to the pump assembly.

To eliminate any risk that the vessel has lost its assembly torque and sealing ability during transit, it must be checked prior to installation.

Tighten the vessel as shown to confirm a secure hand tight connection. A spanner can be used if required to nip tight to 5-6 N/m torque.

**Note: Do not overtighten pressure vessel.**

## STEP 2: PUMP LOCATION

### WARNINGS:



- **Pump Location**  
If possible site the pump in a location where in the unlikely event of a water leak, any spillage is contained or routed to avoid electrics or areas sensitive to water damage.
- **Care should be taken to protect pump from frost and freezing, particularly when located in loft position.**
- **The motor casing can become hot under normal operating conditions, care should be taken to ensure it cannot be touched during operation.**
- **The pump must not be located where the static pressure on the inlet or outlet to the pump is greater than permitted. Should the installation exceed these limits, contact Stuart Turner for further advice.**

The pump must be installed so that the following conditions are met:

Locate the pump in a dry, frost free position where it cannot be sprayed with water. It should be positioned horizontally on its anti-vibration mounting feet and should not be screwed down. It should be positioned as close to the water source as possible having a minimum flooded suction head of 0.5 metres at all times.

The pump has a side mounted terminal box. Ensure the pump is mounted in a position that allows easy access to the box if required.

Ensure the water flow is in the direction of the arrow that is marked on the flow switch reed clamp (vertically upwards).

Before deciding where to position the unit, check to ensure the static inlet and outlet heads of water above the pump (Figs 3 & 4), do not exceed the maximum permitted limits.

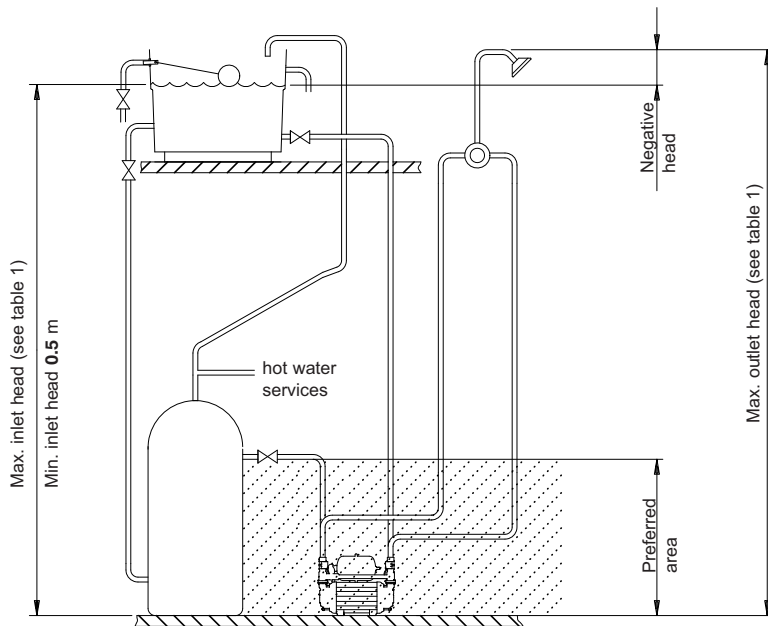
Typical pump locations are in an airing cupboard, or inside a vanity unit with a small purpose build dry and ventilated enclosure. The enclosure should have a minimum clearance of 80 mm (3 ") between the pump and housing on all sides. The enclosure should be secure and access should only be available by the use of tools.

The anti-vibration mounting feet and flexible hoses which are supplied as standard, are a precaution to reduce noise transmission, however care must be taken when mounting the pump that any noise is not amplified through loose panels, pipework or other mounting medium.

The preferred pump location is at floor level next to the hot water cylinder or a level that is below the secondary tapping that feeds the pump. This will ensure the pump has access to an air free water supply which is important for trouble free operation (Fig. 3).

Either end of the pump is suitable for hot or cold water.

Cont....



Preferred Pump Location (shaded area). Pump at a level below draw off tapping in cylinder.

Model	Max. inlet head	Max. outlet head
N2.5	8 m	8 m
N3.5	12 m	12 m
N4.1		

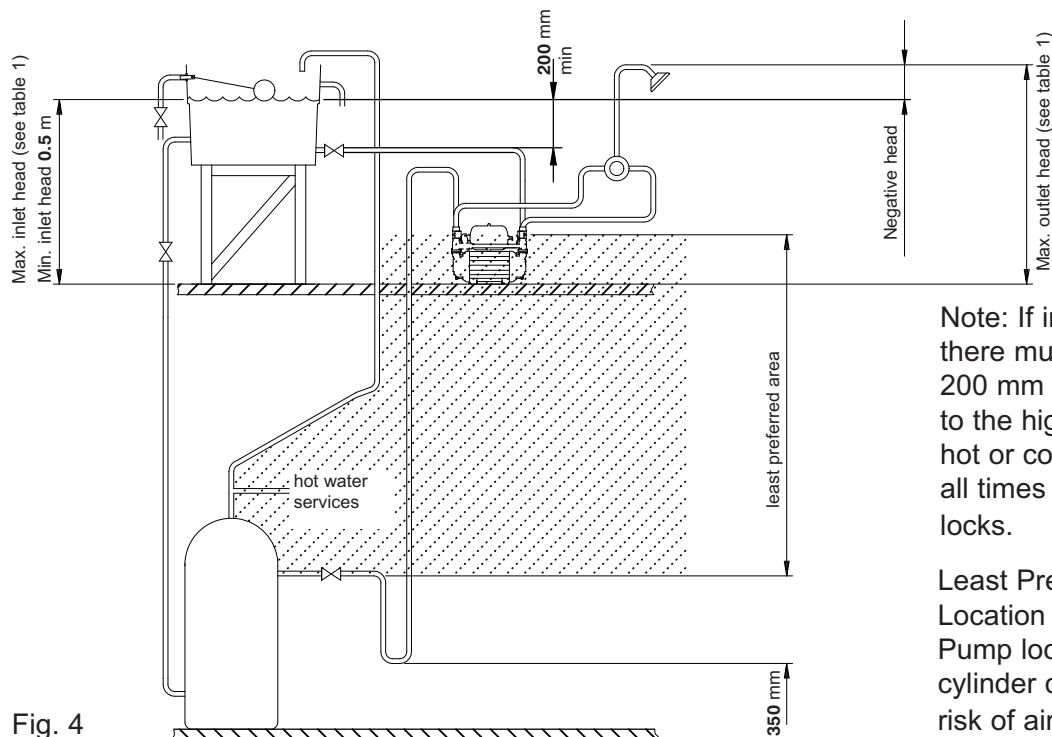
Table 1

Fig. 3

If it is not possible to locate the pump in the preferred area due to site limitations and it is necessary to position the unit in the loft, or in a position above the secondary tapping that feeds the pump, then there is an increased risk of air locks. This risk must be eliminated.

The following measures are suggestions that may overcome the problem:

- 1) A "U" bend or downward loop in the supply pipe to the pump of 350 mm depth before rising to the pump should ensure the cylinder vents its air up the expansion pipe not up the pump feed (Fig. 4).
- 2) An alternative to the above would be the installation of an automatic air vent situated at the top of a vertical pipe run directly connected to the pump discharge. This will ensure any air collecting in the pump is automatically vented.



Note: If installed in loft there must be a height of 200 mm from water surface to the highest point of the hot or cold inlet pipework at all times to prevent air locks.

Least Preferred Pump Location (shaded area). Pump located above the hot cylinder can increase the risk of air locks.

Fig. 4

### STEP 3: PIPEWORK (General)

#### WARNINGS:



- Ensure pipework to and from pump is independently supported to prevent forces being transferred to inlet and outlet branches of pump.
- Do not introduce solder flux to pumps, pump parts or hoses manufactured from plastic. All solder joints should be completed and flux residues removed prior to pump connection.
- Do not allow contact with oil or cellulose based paints, paint thinners or strippers, acid based descalents or aggressive cleaning agents.
- Never operate pump with inlet and/or outlet isolating valves in the closed position. Damage will occur!
- **Do not install a non-return valve, or devices which contain non-return valves, in the suction (inlet) pipework to the pump. The pump must be free to vent to the supply tanks at all times.**

It must be ensured that the water storage capacity is sufficient to meet the flow rates required by the pump and any other water using fittings and appliances, which may be operated simultaneously.

As a rule of thumb: assuming a cold water temperature of 10°C and a hot water temperature of 65°C.

- A 6-minute shower using 10 litres/min will consume 40 litres of hot water and 20 litres of cold. This means the total quantity of water used from the cold water storage tank will be 60 litres (40 + 20).
- A 10-minute shower using 15 litres/min will consume 100 litres of hot water and 50 litres of cold. This means the total quantity of water used from the cold water storage tank will be 150 litres (100 + 50).

The pipework feeds to the storage tank should be of adequate size to ensure replenishment rate of tank is sufficient to meet the needs of the pump.

Care should be taken in the design of pipework runs, to minimize the risk of air locks.

**The pump should be supplied with balanced pressure hot and cold supplies.**

To prevent loss of water pressure through pipework use 22 mm pipework throughout. Any bend requirements should be achieved by hand drawing the tube or by the use of the appropriate bend fittings. All pipework should be securely clipped.

The flexible hoses supplied incorporate integral isolating valves. These hoses should be fitted in the suction and delivery pipework to enable easy access to the pump when required.

#### Pipework Connections (Cold)

**The pump must be supplied with a dedicated feed direct from the cold water storage tank.**

The supply must be air free and connection of the feed pipe to the tank should be via a tank connector, positioned at a slightly lower level (25 mm minimum) than the feed pipe to the hot water cylinder.

## Pipework Connections (Hot)

When a hot water cylinder or storage tank is used, ensure the pipework size from the cold water storage to the hot water storage is of adequate size and a minimum of 22 mm.

**The pump must be supplied with a dedicated feed direct from the hot water cylinder or storage tank.**

The supply must be air free and connection to the cylinder can be made by one of the methods shown in Fig. 5.

When the method of connection is to be made via the expansion pipe, the cold water storage cistern should be at least 1 metre above the top of the hot water cylinder.

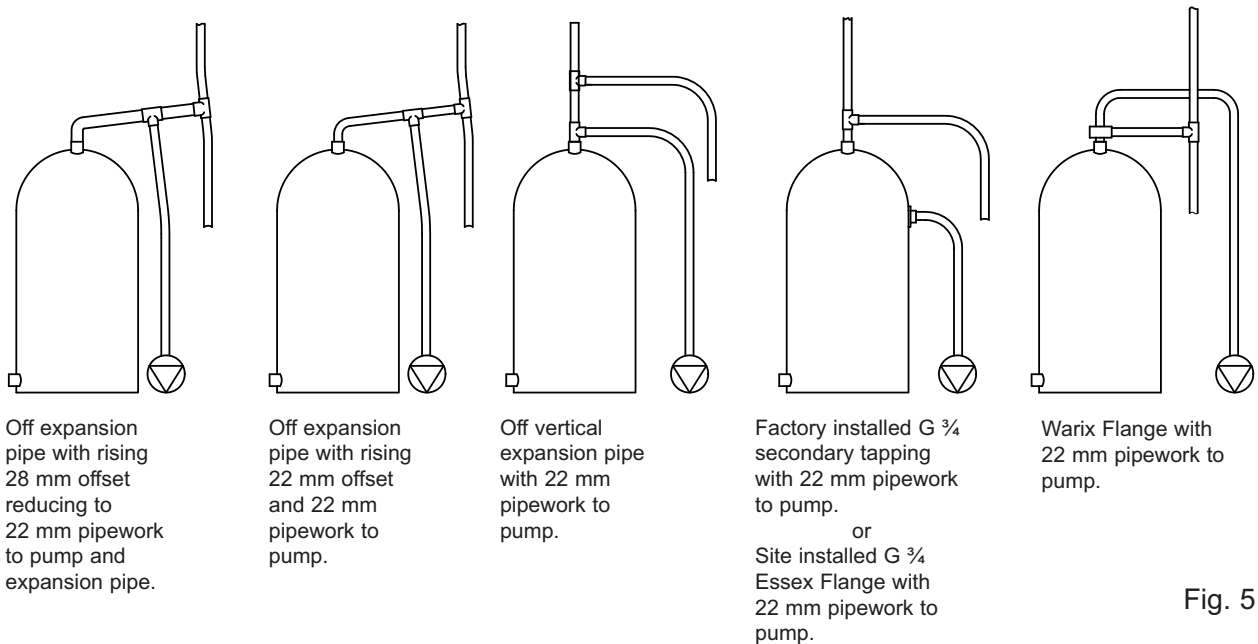


Fig. 5

## Pipework Connections (Connection between pump and system outlet)

This should run as far as possible in 22 mm copper tube. Pipework should only be reduced to 15 mm copper if necessary when entering the terminal fittings. By this method the maximum performance of the pump will be maintained.

### **STEP 4: PUMP CONNECTIONS** (Release and connection of push-in connectors)

#### **WARNINGS:**



- **Do not use stainless steel, chrome or nickel plated pipe with the flexible hose push-in plumbing connections.**
- **Do not introduce solder flux into the joint or surrounding area as connectors will be attacked and may fail.**  
**All solder joints should be completed and flux residues removed before final connection to push-in connections, on the flexible hose.**
- **Do not allow contact with oil or cellulose based paints, paint thinners or strippers, acid based descalents or aggressive cleaning agents.**
- **Never operate pump with inlet and/or outlet isolating valves in the closed position. Damage will occur!**

The pump is supplied with flexible hoses for connection to inlet and outlet pipework. It is recommended that only the Stuart Turner hoses supplied are used for making these connections.

## Hose to pump

The pump inlet and outlet ports have factory assembled fittings which are specifically designed for connection to the G<sup>3</sup>/<sub>4</sub> female running nuts on the flexible hoses. The hose end is fitted with a rubber sealing washer which is held captive within the nut assembly. Locate the hose into position and screw the nut fully onto the fitting by hand. Finally nip tight with a spanner (4/5 Nm) for a water tight seal (**do not overtighten**).

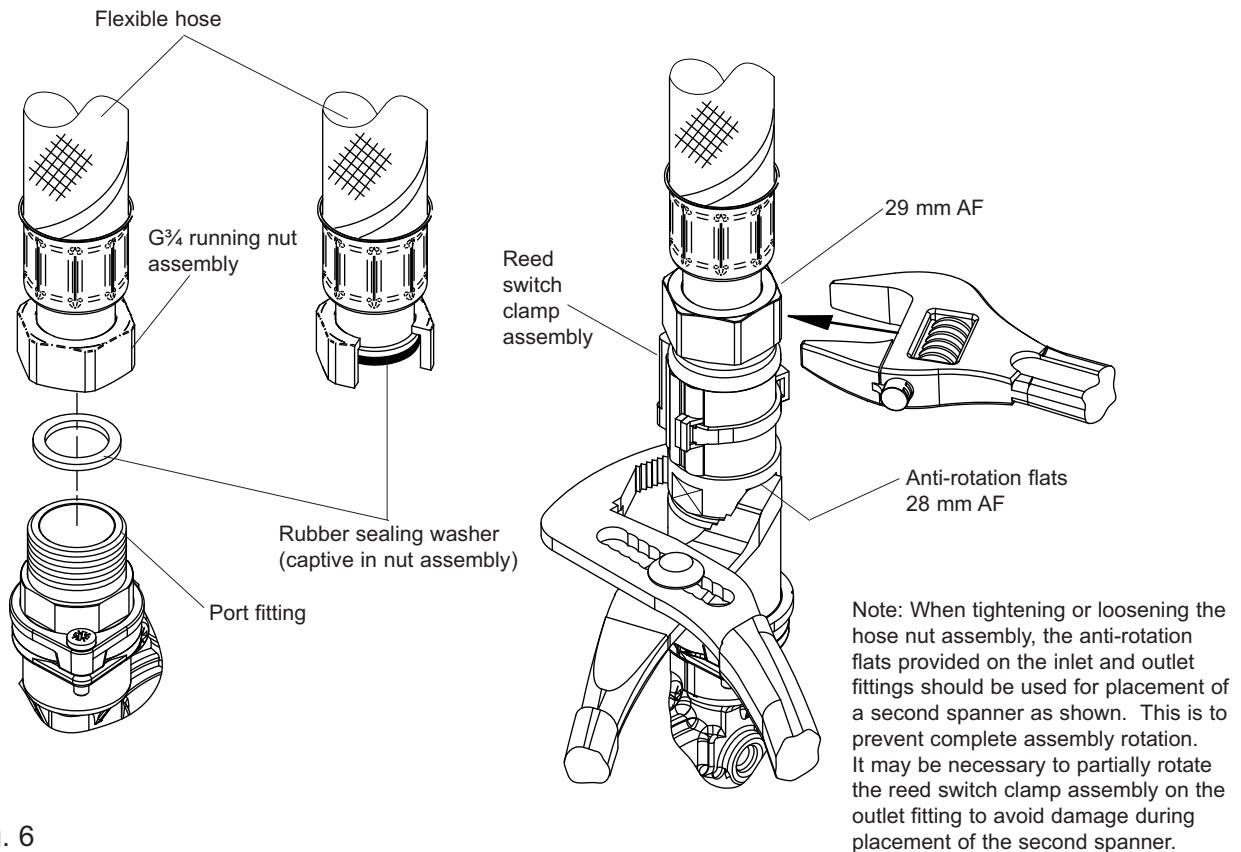


Fig. 6

## Hose to pipework

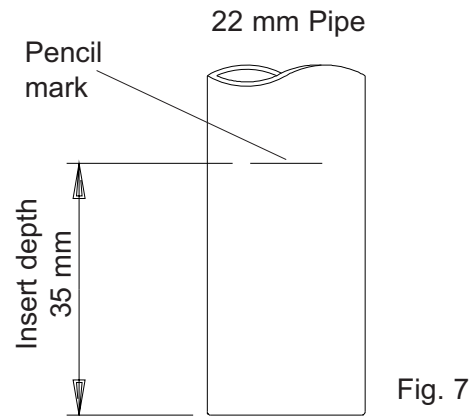
1. The hoses are fitted with plastic push-in connectors, which must only be connected with the following:
  - a) 22 mm diameter copper pipe to BS EN 1057 - R250 (half hard) - Table 3.
  - b) 22 mm plastic pipe to BS 7291 part 1 and part 2 (Table 1), or part 3 (Table 1) plus internal support sleeve\*.
    - \* The internal bore of the plastic pipe must be supported against collapse with the pipe manufacturers recommended support sleeve (pipe insert).
  - c) Appropriate plumbing fittings from the John Guest 'speedfit' push-in plumbing fitting range.

Other manufacturers fittings are not necessarily compatible and may not provide a water tight connection.

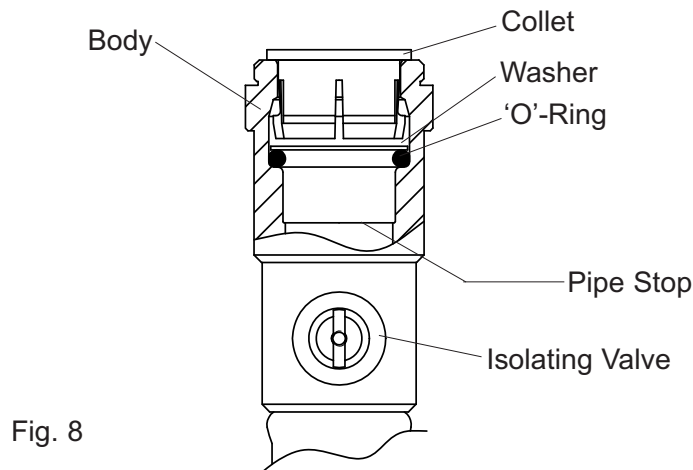
Ensure the pipe is free from all score marks and deformities in the area of the insertion depth (Fig. 7) and cut the pipe square removing all burrs and sharp edges to prevent damage to the sealing 'O'-ring.

Cont....

2. Prior to inserting pipe into fitting mark the insertion depth on the wall of the pipe with a soft pencil at a distance of 35 mm from the end to be inserted.



3. Check in the mouth of the fitting that 'O'-ring, nylon washer and collet are in position.



4. Push pipe firmly into fitting, until pencil mark is level with the top of the collet and the pipe stop resistance is felt. Pull on pipe to check it is secure and correctly fitted.
5. To break the joint, push pipe firmly into fitting, hold collet down and gently remove pipe. If the system has been filled with water care should be taken to isolate pump and towels used to absorb spilled water.

If you have any concern either about using push-in fittings or should the joint leak on final test, isolate the water supplies and contact Stuart Turner Service Dept. on 01491 572655.

Cont....

## Pump Connections (General)

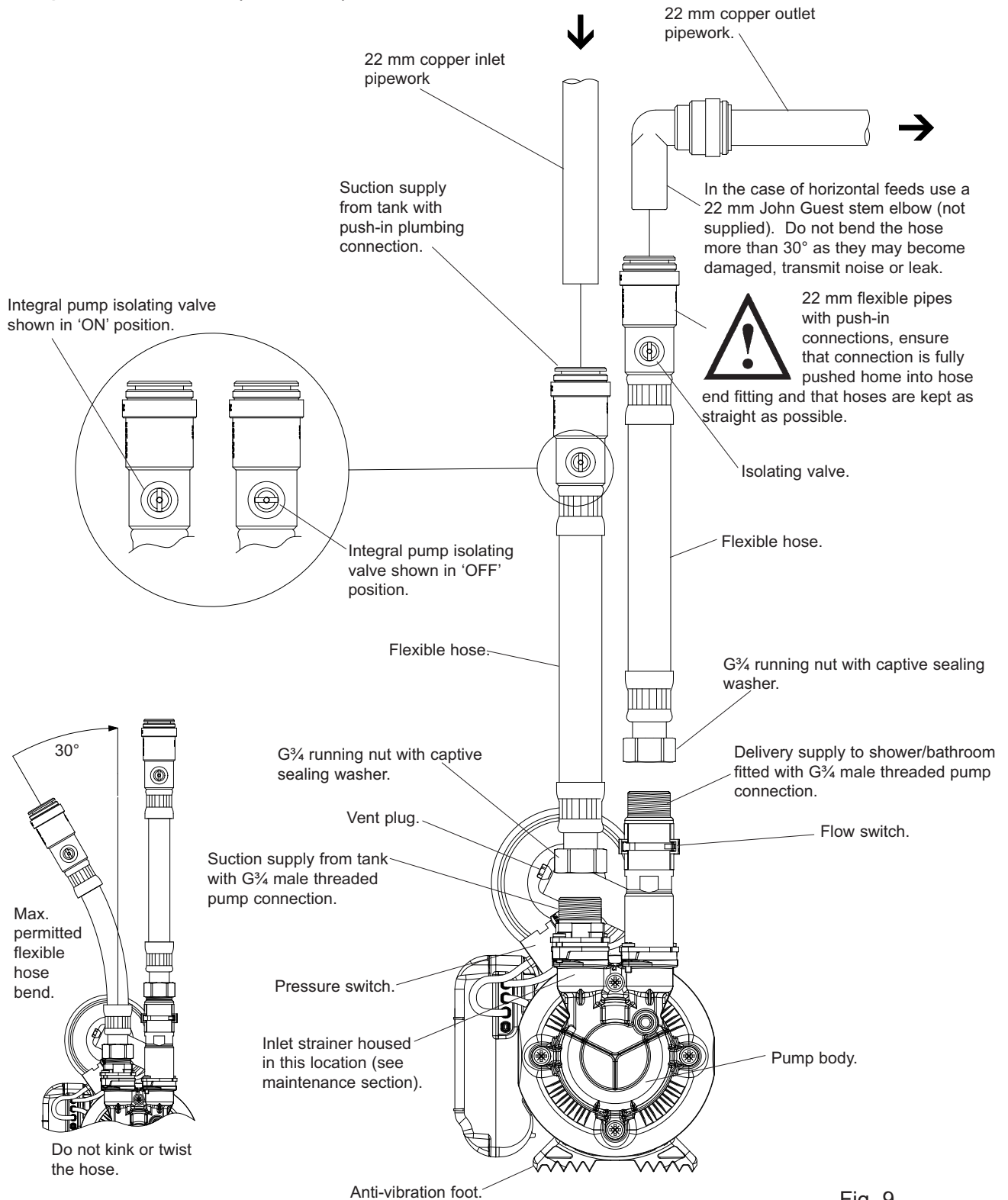


Fig. 9

The pump should not be screwed down, ensure anti-vibration feet and flex hoses are used.



**Never operate pump with inlet and/or outlet isolating valves in the closed position. Damage will occur!**

## Typical Low Level Installation

In certain installations it may be necessary to install a 90° bend on the inlet or outlet connections of the pump before the flexible hose to accommodate a low level installation.

Below are some preferred connection options. All connections seal on the pump body using a fibre or rubber sealing washer. Tap connector fittings should be used which must be of an appropriate pressure and temperature rating.

It is essential when using any of the fittings shown below, that a correct water tight seal is obtained between the pump body and selected fitting and also the flexible hose and selected fitting. If in doubt contact the fitting manufacturer and confirm compatibility with the connection to be sealed.

Carefully check connections and pipework for leaks whilst pump running and stationary before leaving the installation unattended.

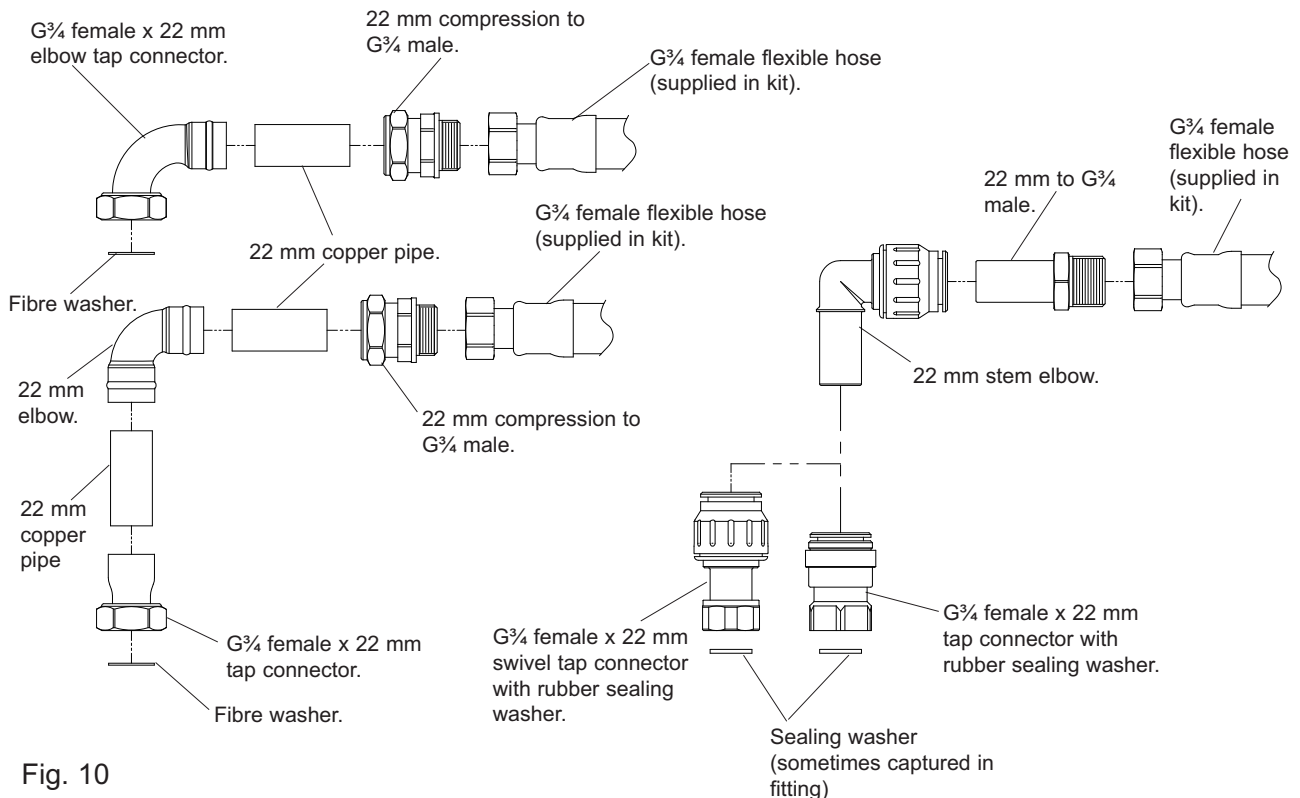


Fig. 10

## STEP 5 ELECTRICAL INSTALLATION

### WARNINGS:



- The electrical installation must be carried out in accordance with the current national electrical regulations and installed by a competent person.
- In the interests of electrical safety a 30 mA residual current device (R.C.D.) should be installed in the supply circuit. This may be part of a consumer unit or a separate unit.
- Before starting work on the electrical supply ensure power supply is isolated.
- This appliance must be earthed.
- The motor and wiring must not be exposed to water.
- Do not allow the supply cord to contact hot surfaces, including the motor shell, pump body or pipework. The cord should be safely routed and secured by cable clips.

The motor fitted to this pump is suitable for a 230/1/50Hz supply. It is thermally protected by an integral auto resetting thermotrip for your safety and rated for the duty listed in the technical specification section.

### Electrical Connection

The motor is provided with a factory fitted supply cord. This must be permanently connected to the fixed wiring of the mains supply. Means for disconnection must be incorporated in the fixed wiring in accordance with the wiring rules.

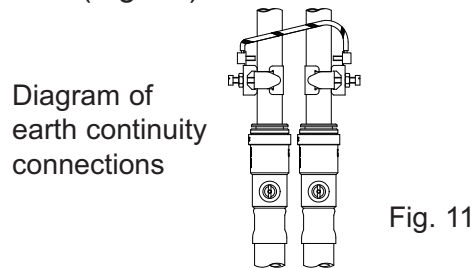
A suitable method of connection would be via a double pole switched, fused connection unit complying with BS 1363-4, protected with a fuse (see fuse section).

The connection unit should be mounted in an easily accessible position and should be labelled if confusion is possible, to allow easy identification of the pump isolating switch.

### Earthing

This appliance must be earthed via the supply cord, which must be correctly connected to the earth point located in the terminal box.

Copper or metallic pipework must have supplementary earth bonding where the continuity has been broken by flexible hoses or plastic components. Adjacent suction and delivery pipes should be fitted with earthing clamps to BS 951 and connected with earthing wire size 4 mm<sup>2</sup> (Fig. 11). A standard kit is available from Stuart Turner (Part No. 17044).



Certain installations may require additional earthing arrangements such as equipotential bonding. Reference should be made to the relevant regulations concerning this subject to ensure compliance.

### Wiring Of Connection Unit




**WARNING: This appliance must be earthed.**

The wires in the mains lead (supply cord) are coloured in accordance with the following code:

Green and Yellow: Earth                      Blue: Neutral                      Brown: Live

As the colours of the wires in the mains lead of this appliance may not correspond with the coloured markings identifying the terminals in your connection unit proceed as follows:

The wire which is coloured green and yellow must be connected to the terminal in the connection unit which is marked with the letter E or by the earth symbol:  or coloured green or green and yellow.

The wire which is coloured blue must be connected to the terminal which is marked with the letter N or coloured black.

The wire which is coloured brown must be connected to the terminal which is marked with the letter L or coloured red.

## Wiring Diagram (Schematic)



The supply cord and internal wiring within the terminal box are routed and secured to ensure compliance with the electrical standard EN 60335-1. It is essential that any disturbance of this internal wiring is avoided and the factory routing and securing of all internal wiring is always maintained.

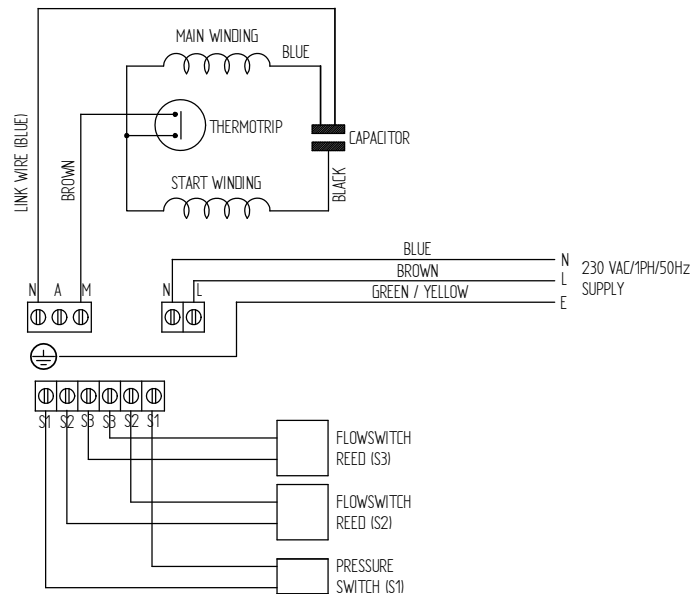


Fig. 12

## Fuses

The following fuse size should be used with the appropriate pump.

Model	Fuse Size (AMPS)
N3.5 bar Twin	13
N4.1 bar Twin	
All other models	5

## Supply Cord Replacement



The supply cord and internal wiring within the terminal box are routed and secured to ensure compliance with the electrical standard EN 60335-1. It is essential that prior to any disturbance of this internal wiring, all cable routing and securing details are carefully noted to ensure re-assembly to the same factory pattern is always maintained.

If the supply cord is to be changed or is damaged, it must be replaced with a special cord assembly available from Stuart Turner or one of their approved repairers.

On disassembly note the cord retention and routing system. Re-assemble to the same pattern.

For information on cable connection consult the wiring diagram and cable gland fitting instructions.

Cont....

## Cable Gland Fitting Instructions

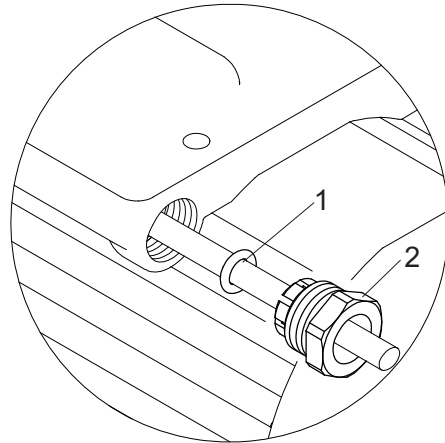


Fig. 13

To enable correct assembly of the cable gland the 'O'-ring (Fig. 13 item 1) must be placed over the cable before the clamping insert (Fig. 13 item 2) can be tightened.

Note: Cable diameter range:- 6.5 mm to 9.5 mm.

## Supply Cord Extension

The pumps are fitted with a supply cord to the following specification:-

All models . . . . .HO5VV-F3 G 0.75 mm<sup>2</sup> - 6 Amp rated cable.

If the supply cord is to be extended, a cord of the same specification should be used. Any connections or junction boxes used should be specifically suited for the application and installed in accordance with the manufacturers instructions.

## **STEP 6 COMMISSIONING**

### **WARNINGS:**



- **The motor casing can become hot under normal operating conditions, care should be taken to ensure it cannot be touched during operation.**
- **Do not run pump without guards and terminal box lid correctly fitted.**
- **The pump chamber must be full of water at all times. Seal damage will result if the pump runs dry.**



#### 1. System Flushing

This pump incorporates push-in connectors and plastic components that must not come into contact with solder flux, acid-based descalents or aggressive cleaning agents. The pipework system should be flushed out prior to the pump being connected to ensure any contaminants/chemical residues and foreign bodies are removed from elsewhere in the system.



#### 2. Water Supply

Always ensure that water storage capacity is adequate to meet the demand. Ensure the pump chamber is full of water before starting the pump. Failure to do this could result in seal damage. To ensure dry running does not occur the pump must be primed as described in priming section. **Do not run pump dry.**

### 3. Priming



#### WARNING

Never operate pump with inlet and/or outlet isolating valves in the closed position. Damage will occur!

The chambers must be primed (filled with water) before starting.

This is achieved as follows.

- a) Turn off the pump inlet isolating valves 1 & 2 and pump outlet isolating valves 3 & 4.
- b) Turn on water supply to pumps from the system service valves.
- c) Open pump inlet isolating valve (1).
- d) Place a towel under priming plug (Fig. 14) to absorb any spillage.
- e) Loosen priming plug on shuttle valve assembly (Fig. 14).
- f) Wait until an unrestricted and even flow of water is seen to flow from the priming plug location hole. This may take up to **30** seconds.
- g) Re-seal priming plug by nipping tight to 1.5 Nm.
- h) Close pump inlet isolating valve (1) and repeat process with pump inlet isolating valve (2).
- i) Now both pump chambers are full of water.
- j) Open both pump inlet and outlet isolating valves. The pump is now ready to start.

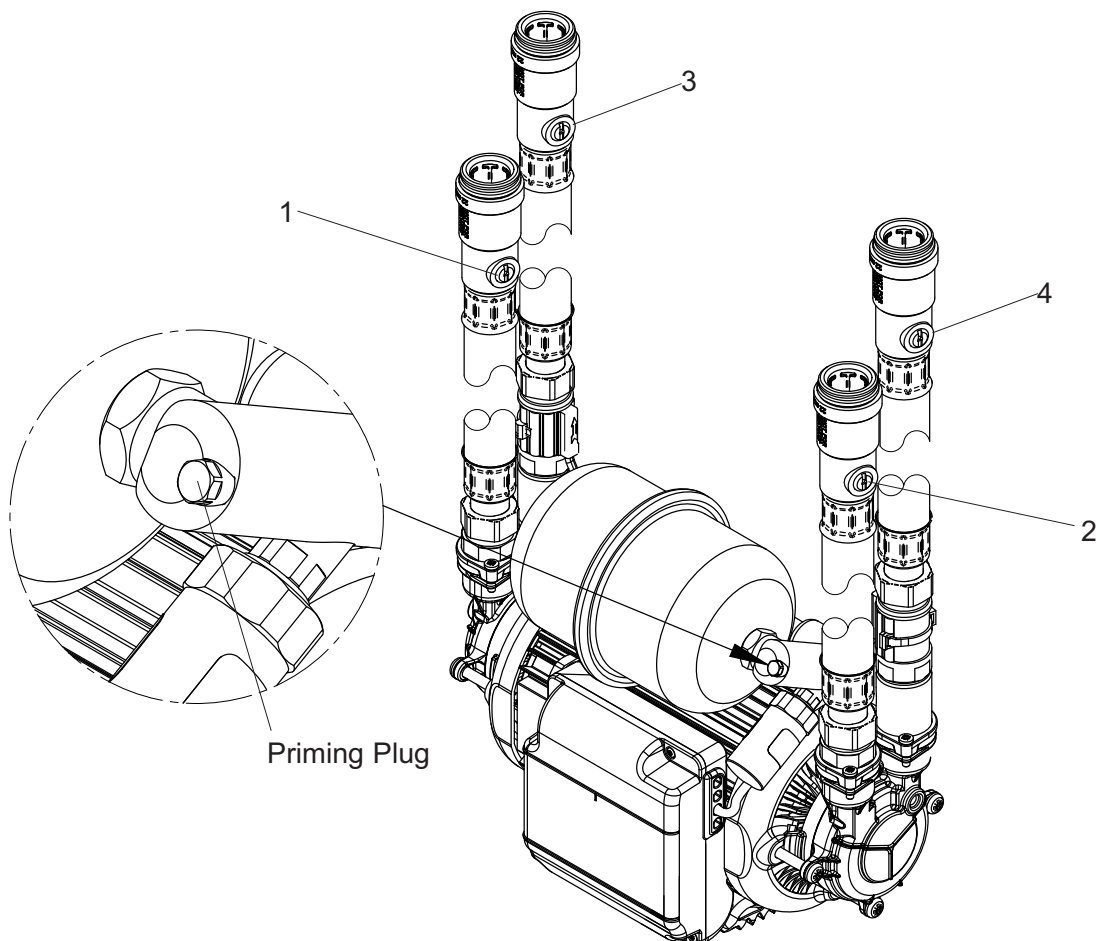
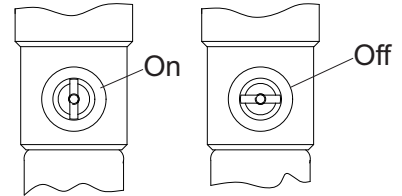


Fig. 14

#### 4. Starting The Pump

- a) Ensure all outlets are closed, turn power supply 'on' - pump will start, pressurise the system then stop.
- b) Open and close all outlets in turn associated with the pump, (including w/c systems) allowing water to flow from each outlet until all air is purged. As each outlet is opened and closed, the pump will start and stop respectively.  
Note: After closing the outlet there will be a small delay time before the pump stops, which is normal.  
Any tap or control valve within the system when opened and closed will now turn the pump on/off. Providing this is the case the system is now operating correctly.
- c) Carefully check pump and pipework for leaks whilst pump running and stationary before leaving the installation unattended.

#### For Further Technical Support

Phone the Stuart Turner support line on 01491 572655. Our staff are trained to help and advise you over the phone or arrange for a service engineer to call.

### **MAINTENANCE**

#### **WARNINGS:**



- **Care should be taken to protect pump from frost and freezing, particularly when located in loft position.**
- **Pump Location**

**If possible site the pump in a location where in the unlikely event of a water leak, any spillage is contained or routed to avoid electrics or areas sensitive to water damage.**



1. No routine maintenance is required, but provision should be made for easy access to the pump to allow repairs due to normal wear and tear.
2. Disconnect electrical supply before working on pump.
3. Turn off water supplies to the pump and release pressure by opening water outlets before attempting maintenance.
4. The inlet strainers may require periodical cleaning. The frequency of this operation is dependent upon installation conditions.  
The strainer is located in the inlet assembly of the pump casing (see pump connection section) and is removed as follows:-
  - a) Isolate pump electrically.
  - b) Release all system pressure.
  - c) Isolate hot and cold water supplies via the integral pump isolating valve located in the flexible hoses and release hose nuts connected to the pump (see pump connections section).
  - d) Remove M4 screws (2 off) from inlet assembly, lift brass inlet fitting (with 'O'-ring) and clamp away from pump casing (Fig. 15).
  - e) Remove strainer with long nose pliers noting location lug position upon removal (Fig. 15) and clean thoroughly.
  - f) Refit strainer taking care to position lug in body inlet port location slot (Fig. 15) and re-assemble pipework. Tighten M4 clamp screws to 1.5 Nm torque.
  - g) After maintenance is completed refer to commissioning section for instructions on re-starting pump.

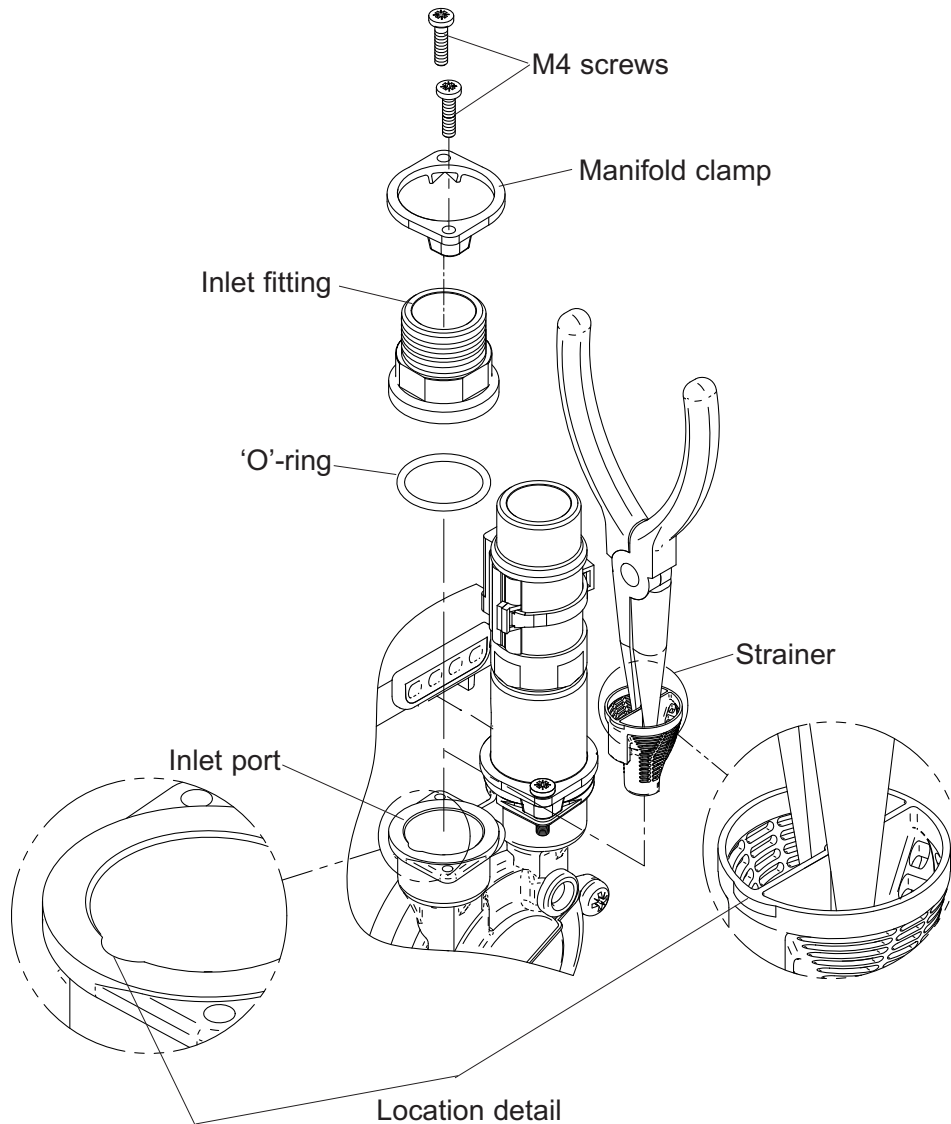


Fig. 15

5. The pressure vessel air pre-charge does not require routine maintenance. Should ever the need arise for the vessel to have its air pre-charge checked or replenished, it should be carried out as follows: -
  - a) Isolate pump electrically.
  - b) Isolate hot and cold water supplies via the integral pump isolating valve located in the flexible hoses (see pump connections section).
  - c) Release system water pressure by opening a system outlet (tap).
  - d) Check air pre-charge at Schrader valve (Fig. 16) using a tyre pressure gauge.

Model	Vessel Pressure		
	kPa	bar	psi
N2.5 bar Twin	90	0.9	13.0
N3.5 bar Twin	130	1.3	18.5
N4.1 bar Twin			

Cont...

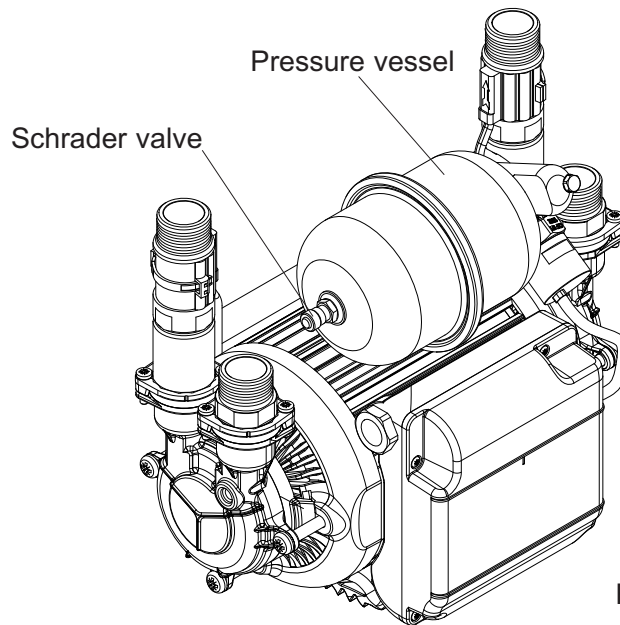


Fig. 16

- e) Replenish air charge if required by injecting air into the vessel via the Schrader valve using a car or bicycle pump, ensuring a system outlet valve (tap) remains open during this procedure to allow the vessel to exhaust any excess water.
  - f) Close all system taps, open hot and cold inlet pump isolating valves, turn on electrical power.
  - g) After maintenance is completed refer to commissioning section for instructions on re-starting pump.
6. As water is heated scale deposits are released in areas of hard water (usually south of a line between the Wash and Bristol Channel), scale can cause the mechanical seal to stick if left without use for long periods. We recommend the pump is run for at least 5 minutes every four weeks to "exercise" all working parts. Run on cool water. See technical specification for note on water temperature. This particularly applies to guest bathrooms used infrequently.

### Cleaners, Disinfectants and Descalents



On installations where chemical disinfectants or descalents are periodically used, the compatibility of the chemical solution regarding the pump must be considered.

Acid based descalents and aggressive cleaning agents must not come into contact with the pump. The pump must be removed from the system prior to the use of these products. The system should be flushed to remove all chemicals before the pump is re-connected.

If in any doubt as to the suitability of the chemical solutions refer to Stuart Turner Ltd.

Cont...

## TECHNICAL SPECIFICATION

Model		N2.5 bar Twin	N3.5 bar Twin	N4.1 bar Twin
<b>Electrical</b>	Power supply Volts/phase frequency	230/1/50	230/1/50	230/1/50
	Motor enclosure	IPX4	IPX4	IPX4
	Type of motor	Induction	Induction	Induction
	Max. power consumption	655 Watts	875 Watts	1135 Watts
	Full load current	2.9 Amps	3.9 Amps	5.1 Amps
	Rating	Continuous (S1) @ 9 l/min & above (Both ends pumping)	Continuous (S1) @ 9 l/min & above (Both ends pumping)	Continuous (S1) @ 9 l/min & above (Both ends pumping)
	Max. no. starts per hour	60	60	60
<b>Mechanical</b>	Max inlet head	8 metres	12 metres	12 metres
	Max head (closed valve)	28.5 metres	43.4 metres	45.4 metres
	Max working pressure*	600 kPa (6.0 bar)	600 kPa (6.0 bar)	600 kPa (6.0 bar)
	Max ambient air temperature	40°C	40°C	40°C
	Pressure vessel air pre-charge	0.9 bar (13 psi)	1.3 bar (18.5 psi)	1.3 bar (18.5 psi)
	Max water temperature**	65°C	65°C	65°C
	Min water temperature	4°C	4°C	4°C
<b>Dimensions</b>	Length	265 mm	300 mm	310 mm
	Width	162 mm	162 mm	162 mm
	Height (excluding flexible hoses)	237 mm	237 mm	247.5 mm
	Gross weight (packed)	9.6 Kg	11.5 Kg	12.5 Kg

Stuart Turner reserve the right to amend the specification in line with its policy of continuous development of its products.

Note: For information on other voltages/frequencies which are not shown, consult any supplementary instruction sheet supplied, or the rating label attached to the pump.



**Maximum permissible water temperature 65°C.**

\*Note: Max working pressure is the maximum pressure that can be applied to the pump internal casing under any installation conditions.

\*\*Note: In normal circumstances the temperature of stored water should never exceed 65°C. A stored water temperature of 60°C is considered sufficient to meet all normal requirements and will minimize deposition of scale in hard water areas.

## NOISE

The equivalent continuous A-weighted sound pressure level at a distance of 1 metre from the pump does not exceed 70 dB(A).

## TROUBLE SHOOTING GUIDE

Symptoms	Probable Cause	Recommended Action
Pump will not start.	<p>Electrical supply.</p> <p>Faulty pressure switch.</p> <p>Faulty reed switch or PCB.</p> <p>Recommended static inlet/outlet heads exceeded.</p> <p>Internal motor thermotrip activated.</p>	<p>Check wiring connections. Check all switches are 'on'. Check fuse (see fuse section). Check circuit breaker is set.</p> <p>Turn off power. Release system water pressure. Turn on power, pump should start. If NOT refer to circuit test in Fig. 17 to confirm PCB operating correctly.</p> <p>Refer to circuit test as detailed in Fig. 17.</p> <p>Re-position pump (see pump location section).</p> <p>Wait for thermotrip to auto-reset and check that duty point and run time is within specification (see technical specification).</p>
No hot water.	<p>Air locked water feed.</p> <p>Boiler is switched off.</p> <p>All hot water has been used.</p> <p>Faulty thermostatic mixer valve.</p>	<p>Vent hot water pump of air. Check cold feed to hot water cylinder. Check water level in cold water tank and that all stopcocks and isolating valves are open.</p> <p>Check boiler is switched 'on'. Check cylinder thermostat. Check immersion heater. Check cylinder contains hot water.</p> <p>Check tank volume is adequate.</p> <p>Consult makers instructions.</p>
<p>Pump starts when outlets are off.</p> <p>or</p> <p>Pump cycles (hunts) on/off frequently.</p>	<p>Leak in system.</p> <p>Low pre-charge pressure in pressure vessel.</p> <p>Debris under non-return valve sealing face.</p>	<p>Check tap washers, w/c valve washers, pipe joints.</p> <p>Check pre-charge pressure in pressure vessel (see maintenance section).</p> <p>Run at full flow to try and flush away debris or remove, clean or replace non-return valve.</p>
Pump runs on when all terminal outlets are closed.	<p>Leak in system.</p> <p>Reed clamp out of position.</p> <p>Faulty reed switch, P.C.B or pressure switch.</p> <p>Jammed flow switch.</p>	<p>Check tap washers, w/c valve washers, pipe joints.</p> <p>Ensure reed clamp is fitted correctly in location groove (Fig. 17). If pump continues to run, this indicates a closed circuit in either the flow switch reed, pressure switch or P.C.B. in the terminal box, these should be checked electrically. Isolate the pump electrically and hydraulically and remove brass housing that contains the float. Check float for free movement.</p>
Reduced flow/performance.	<p>Blocked inlet strainers.</p> <p>Blocked shower head spray plate.</p> <p>Blocked pipework or pump.</p>	<p>Clean inlet strainers (see maintenance section).</p> <p>Clean in accordance with manufacturers instructions.</p> <p>Isolate pump electrically and hydraulically, locate blockage and remove.</p>

### Flow Switch Circuit Test

1. First confirm visually that the flow switch reed clamps have not been dislodged during handling or installation. The clamps must be fully located within their flow switch body groove as shown.
2. To carry out the following test you will need to obtain a magnet, a typical fridge magnet is suitable.
3. Ensure the power supply is switched on.
4. Position the magnet directly in front of the reed clamp as shown. If pump does not start, then slowly move the magnet up and down to a position that exceeds the extent of the reed clamp. The pump should instantaneously start at some point during this extent of movement. If this does not happen, this indicates a possible fault with the reed switch or the P.C.B which is located within the terminal box. These should be checked electrically. Consult Stuart Turner for further instructions.

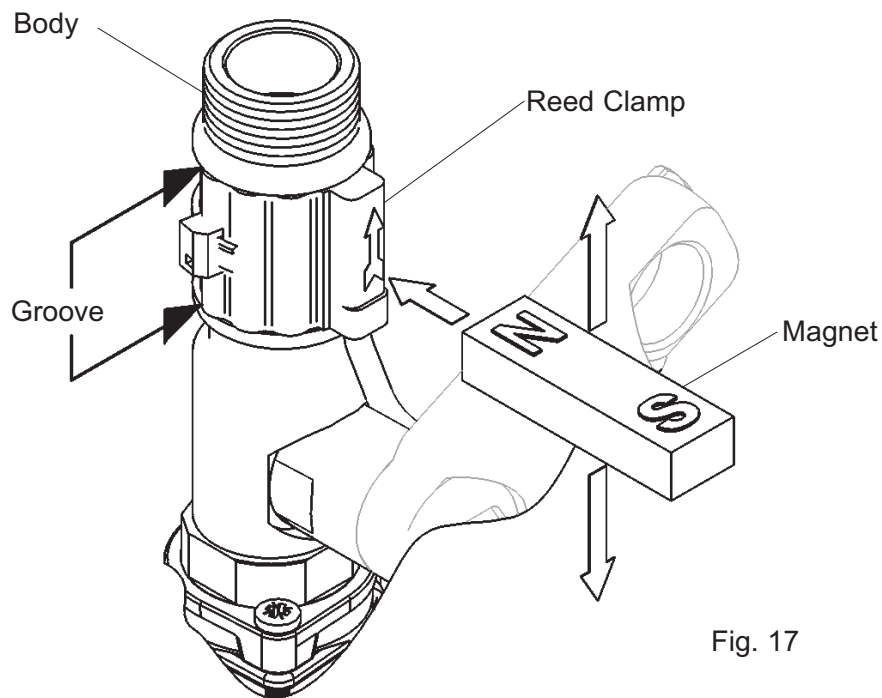


Fig. 17

### **ENVIRONMENT PROTECTION**

Your appliance contains valuable materials which can be recovered or recycled.

At the end of the products' useful life, please leave it at an appropriate local civic waste collection point.

## GOOD PRACTICE

Always flush system prior to installing a new or serviced pump.

Always ensure both sides of the pump are primed (filled with water) before starting the pump. **DO NOT RUN PUMP DRY.**

Always ensure the pump has a flooded suction.

Always ensure anti-vibration feet are used.

Ensure pump is sited in dry ventilated position.

Abide by the Water Supply (Water Fittings) Regulations 1999.

Always ensure pump isolating valves in the inlet and outlet flexible hoses are in the fully open position.

Ensure earth continuity between suction and delivery pipes.

Always ensure pump wiring conforms with the current national electrical regulations and installed by a competent person.

**Do not install a non-return valve, or devices which contain non-return valves, in the suction (inlet) pipework to the pump. The pump must be free to vent to the supply tanks at all times.**

Carefully check pump and pipework for leaks before leaving the installation unattended.

## YOUR 2 YEAR GUARANTEE

Monsoon Pumps are guaranteed by Stuart Turner Limited to be free from defects in materials or workmanship for 2 years from the date of purchase. Within the guarantee period we will repair, free of charge, any defects in the pump resulting from faults in material or workmanship repairing, exchanging parts or exchanging the whole unit as we may choose.

Not covered by this guarantee: Damage arising from improper use, unauthorised repair, normal wear and tear and defects which have a negligible effect on the value or operation of the pump.

Reasonable evidence must be supplied that the product has been purchased within 2 years prior to the date of claim.

This guarantee is in addition to the purchaser's rights under any legislation presently in force.

In the event of a claim please telephone Stuart Turner Ltd on 01491 572655 or return pump with accessories removed, plugs, pipes etc.

Proof of purchase should accompany the returned unit to avoid delay in action.

Please record here for your records.

TYPE NO.	SERIAL NO.	DATE PURCHASED

This data is found on the Label on Motor Terminal Box.

## NOTES

## NOTES



## DECLARATION OF CONFORMITY

**98/37/EC**

BS EN ISO 12100-1, BS EN ISO 12100-2, BS EN 809

**2006/95/EC**

BS EN 60335-1, BS EN 60335-2-41, EN 50366

**89/336/EEC**

BS EN 55014-1, BS EN 55014-2, BS EN 55022, BS EN 61000-3-2, BS EN 61000-3-3,  
BS EN 61000-4-2, BS EN 61000-4-3, BS EN 61000-4-4, BS EN 61000-4-5, BS EN 61000-4-6,  
BS EN 61000-4-11

IT IS HEREBY CERTIFIED THAT THE STUART ELECTRIC MOTOR DRIVEN PUMP AS  
SERIAL NUMBER BELOW, COMPLIES WITH THE ESSENTIAL REQUIREMENTS OF THE  
ABOVE E.E.C. DIRECTIVES.



RESPONSIBLE PERSON  
AND MANUFACTURER

STUART TURNER LIMITED  
HENLEY-ON-THAMES, OXFORDSHIRE  
RG9 2AD ENGLAND.

Signed .....

Quality Manager

Stuart Turner are an approved company to BS EN ISO 9001:2000

**STUART  
TURNER LTD**

Stuart Turner Ltd, Henley-on-Thames, Oxfordshire RG9 2AD ENGLAND

Tel: +44 (0) 1491 572655, Fax: +44 (0) 1491 573704

email: pumps@stuart-turner.co.uk web: www.stuart-turner.co.uk

V.A.T. REG. No. 199 0987 92. Registered in England No. 88368. Registered Office: Market Place, Henley-on-Thames