



# INSTALLATION INSTRUCTIONS FOR HEAT (SLE300) POLAR (SLE310) AND BEAM (SLE320) LED MIRRORS

Please read these instructions carefully before you start. Please retain for future reference.

## SAFETY INSTRUCTIONS (Applicable to UK Installations only)

All fittings must be installed by a competent person, in accordance with current IEE wiring regulations. If in doubt, consult a qualified electrician.

**Important** - Always switch off the electrical supply at the mains during installation and maintenance. It is recommended that the fuse is withdrawn or the circuit breaker is switched off for the necessary circuit before installation commences.

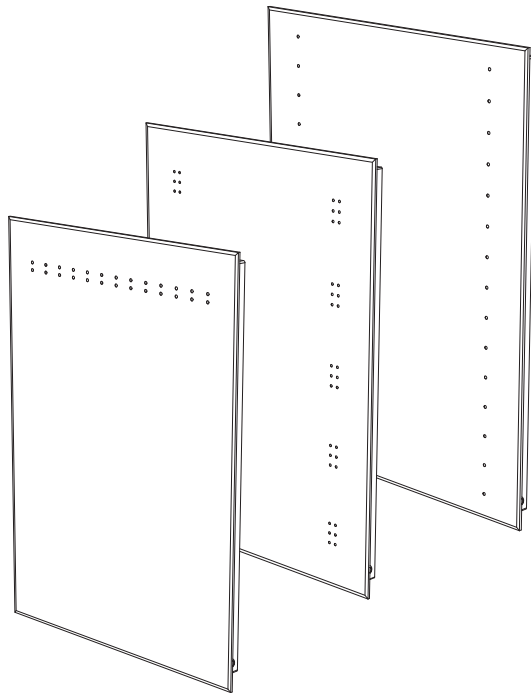
Fitting in Bathrooms is subject to the appropriate location (**See Diagram**). Refer to IEE Regulations. This product is suitable for Zones 2, 3 and outside zones. It **IS NOT** suitable for installation in Zone 0 or Zone 1. It is also not suitable for installation in Saunas, Steam Rooms or Shower Cubicles.

This product is only suitable for permanent installation. **DO NOT** connect to a trailing plug and socket outlet.

Although this product has an Ingress Protection rating of IP44, it is only suitable for indoor use.

Do not attach the product to surfaces that are damp or otherwise electrically conductive.

The product should be positioned well away from curtains and other fabrics. Never cover the mirror.



## CARE & SAFETY

### REMEMBER

Wear suitable eye protection when drilling. Take care when using power tools near water - the use of a residual current device (RCD) is advised. Beware of hidden cables or pipes. Take care if drilling on tiled surfaces in case the drill slips. A piece of masking tape applied to the wall before marking out the fixing holes will stop the drill from wandering.

### WARNINGS

Do not strike glass components with hard or pointed items.  
Do not place very hot or very cold items against or in close proximity to glass surfaces unless an adequately thick insulation material is used to prevent such items coming in contact with the glass.

The nominal thickness of the mirror glass used in this product is 5mm and is film backed for safety. If the glass becomes chipped or broken, replace immediately. For details on replacement glass and other components contact customer services at the address below.

This product could be dangerous and installation is only to be carried out by a competent person.

It is recommended that the unit is cleaned with a soft dry cloth when turned off. Never use cleaning agents or abrasive materials on any type of surface finish. Do not allow moisture to come into contact with the lamps.

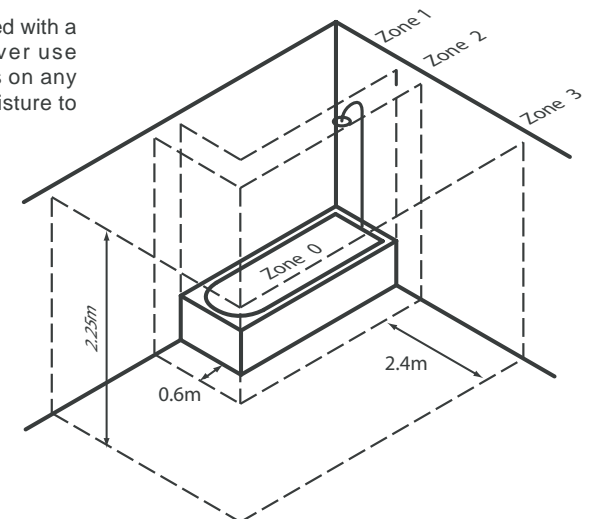
### COMPLIANCE

This product complies with the following Electrical Safety Standards:  
EN 55015:2001; BS EN 60598-1: 2004, AMD:2001, AMD:2003; BS EN 60598-2-1: 1989. EN 60529: 1992 & A1, A2, A3.

### REPLACING LAMPS

In the unlikely event that the LED light strip should fail please contact Tavistock customer services for a replacement part at the address shown.

**WARNING** - Disconnect the unit from the mains power supply before attempting to replace a lamp. Ensure lamps are sufficiently cooled before changing. Remove the mirror glass from the body by removing the screws and washers. Disconnect the LED light strips, and place the mirror face down on clean soft surface. The LED strips can be removed by sliding them along the mounting plate, the replacement should then be pushed onto the mounting plate until it clicks securely into place. Reconnect the LED light strips and reposition the mirror glass on the body, secure with the screws and washers previously removed.

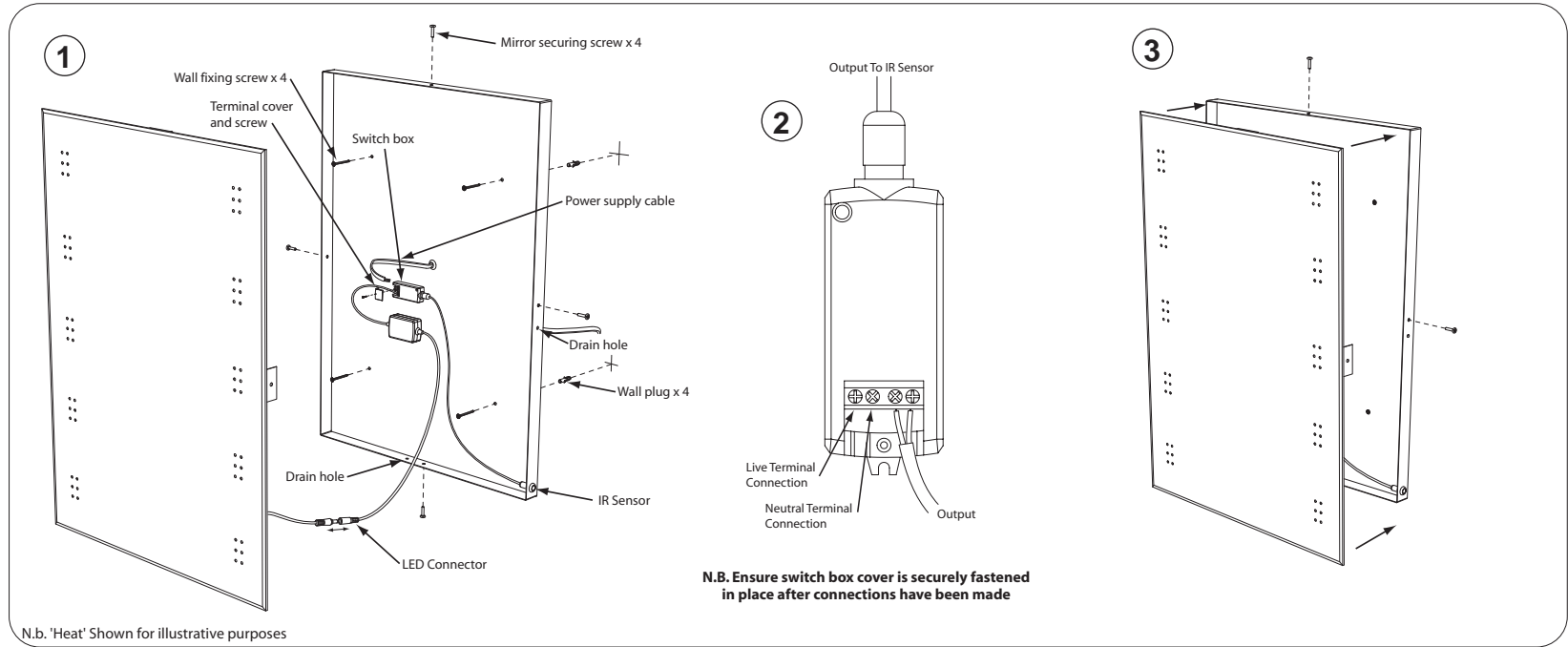


Distances from a Bath Tub or Shower Tray

# INSTALLATION INSTRUCTIONS FOR HEAT (SLE300) POLAR (SLE310) AND BEAM (SLE320) LED MIRRORS

Please read these instructions carefully before you start. Please retain for future reference.

	DESCRIPTION	QTY
	MIRROR ASSEMBLY	1
	SCREW	4
	WALL PLUG	4



## PROCEDURE -

Ensure the wall surface is of suitable strength and construction.

This mirror can be mounted either portrait or landscape. The drain hole that is not in use i.e. whichever is not at the bottom of the product should be sealed using the rubber grommet supplied.

To ensure correct operation of the IR sensor switch the mirror must be mounted at least 150mm away from an adjacent wall or if mounted horizontally 150mm above the basin or work surface.

**Note:** Wall plugs provided are suitable for Stone or Brick walls. For other wall types use appropriate wall plugs. If in doubt consult an expert.

**1)** Carefully separate the mirror by removing the retaining screws on the sides of the mirror body and remove from the main body. Place the mirror, screws and washers in a safe place for now. The heated mirror pad and the LED light strips should be disconnected by separating the plug.

**2)** Mark the desired height of the mirror and draw a horizontal line on the wall (using a spirit level) which corresponds with the height of the top holes in the back of the mirror body.

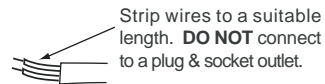
Holding the mirror body in place on the horizontal line, mark off all 4 holes in the back of the mirror body. Also mark off where the electrical supply cable must be placed in case this needs to be chased out locally for the installation.

Place the mirror body to one side and drill the holes as necessary for the wall plugs. Insert the wall plugs and screw the mirror body in position

having fed the power supply cable through the rubber grommet in the mirror body. Make sure that all screws are secure.

**3) Ensure that the electrical supply is turned off at the mains.** Remove the small terminal cover from the switch box inside the mirror body using a screwdriver to allow the electrical connections to be made as follows:

**Colour Coding:**  
L - Live = Brown  
N - Neutral = Blue



Strip the mains PVC supply cable as necessary. Make the necessary connections in accordance with the current IEE Regulations. Firmly tighten all terminal connections. Make sure that the terminal cover is replaced and the securing screw tightened.

## ! IF IN DOUBT CONSULT YOUR ELECTRICIAN !

**IMPORTANT:** Loose connections can lead to over heating. Excessive temperatures may lead to scorching of the plastic components, and in extreme cases may even melt. Charring of components is always a consequence of faulty installation or maintenance, and any claims are excluded from the warranty.

**4)** Reconnect the LED light strips.

**5)** Replace the mirror over the front of the body, aligning the holes in the brackets with the screw holes. Make sure that the glass fits completely flat on the face of the body. Fasten with the screws and washers removed in stage 1.

**6)** Turn back on the electrical supply so that your Backlit Mirror is operational.

**7)** To switch the mirror on or off move your hand past the IR sensor (must be within 6cm)

**plumbworld**  
**Big brands, small prices.**

Pdf Supplied By <http://www.plumbworld.co.uk/>