



Hawaii

802 00 8
802 15 2

SHOWER-CABIN

INSTALLATION
INSTRUCTION

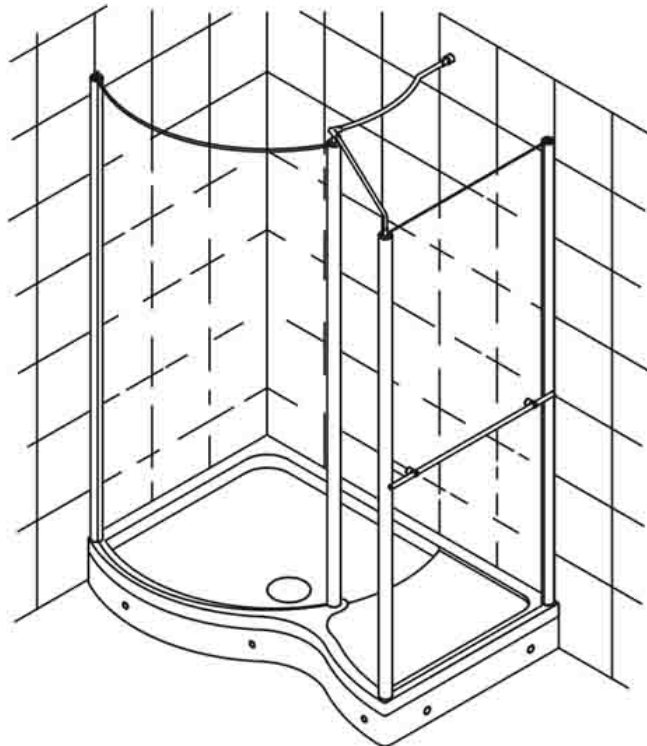
ENGLISH

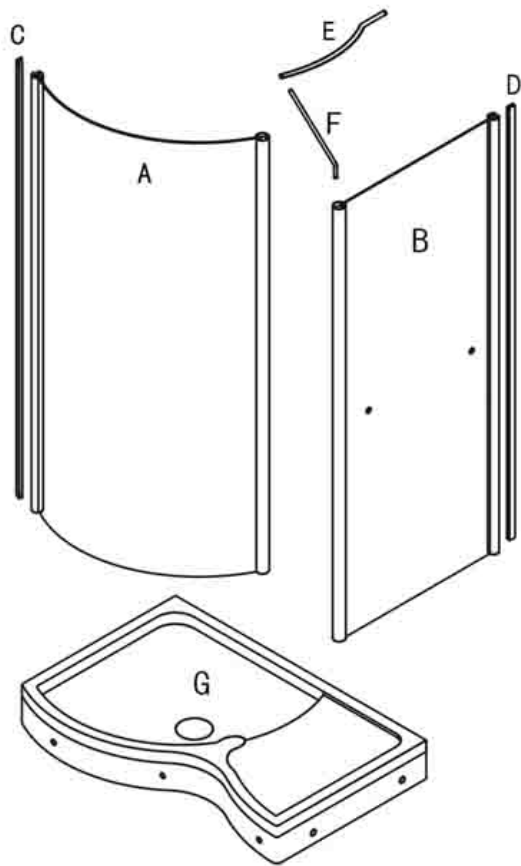
Caution:

- please read this instruction before installation
- please keep this instruction after installation
- we have the right to use newest accessory in case of repair
- the drawing are just for your reference; they might differ from original measures

















Cleaning and maintenance

- Clean the sundries once the drain is jammed
- Normally, clean the shower enclosure with mild detergent or soap
- don't clean the shower enclosure with irritant detergent, alcohol, gasoline or other chemical cleaners
- stains on the shower enclosure can be cleaned using low density vinegar washed afterwards with plenty of water



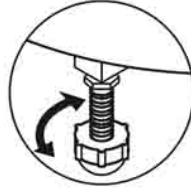


| NO. | Name | Quantity |
|-----|----------------------------|----------|
| A | Arc fixed glass | 1 |
| B | Flat fixed glass | 1 |
| C | Bevel angle Al. profile | 1 |
| D | Straight angle Al. profile | 1 |
| E | Bend pipe | 1 |
| F | Connector pipe | 1 |
| G | Shower tray | 1 |

| NO. | Name | Drawing | Quantity | NO. | Name | Drawing | Quantity | NO. | Name | Drawing | Quantity |
|-----|------------------------|---|----------|-----|------------------------|---|----------|-----|----------------------|---|----------|
| 1 | Connector with 3 holes |  | 1 | 7 | connector |  | 2 | 13 | screw coat |  | 1 |
| 2 | Connector (long) |  | 1 | 8 | screw ring |  | 4 | 14 | Stainless steel hook |  | 1 |
| 3 | Connector (short) |  | 1 | 9 | Screw pad |  | 4 | 15 | Rubber ring |  | 2 |
| 4 | Connector of towel bar |  | 2 | 10 | towel bar |  | 1 | 16 | rubber grain |  | 9 |
| 5 | Screw strip |  | 2 | 11 | φ9 rubber ring |  | 2 | 17 | 4.2*30 screw anchor | | 9 |
| 6 | connector ring |  | 2 | 12 | Connector of bend pipe |  | 1 | 18 | 4.2*25 screw anchor | | 4 |

Installation

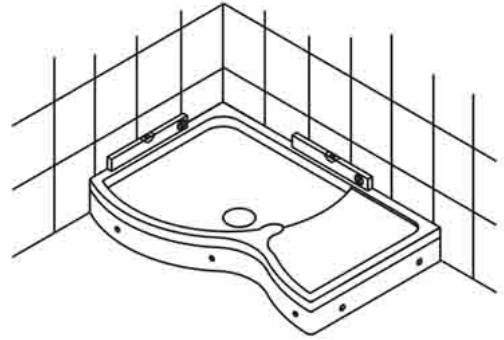
(1) Install shower tray



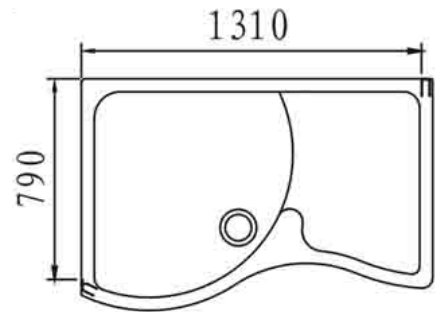
1 position the shower tray in the required position

2 adjust the feet to ensure appropriate levelling

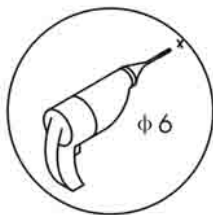
3 be sure to seal the tray with glue



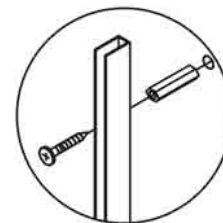
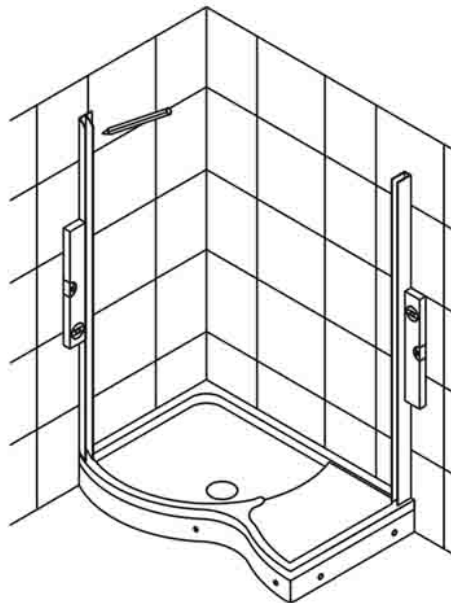
Now mark the position of both profiles and drill the corresponding holes (6mm) into the wall.



Refer to the drawings below:



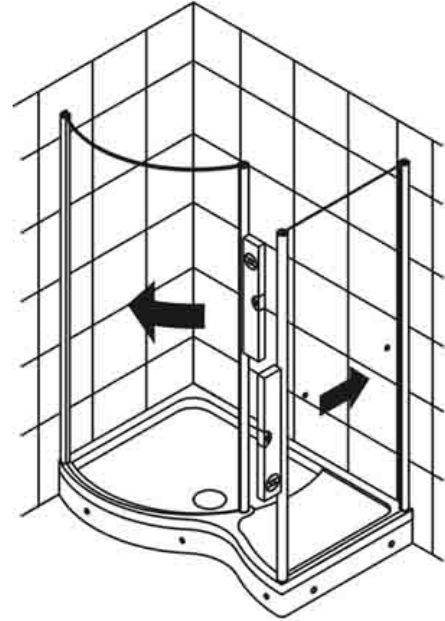
4. 2*30



4. 2*30

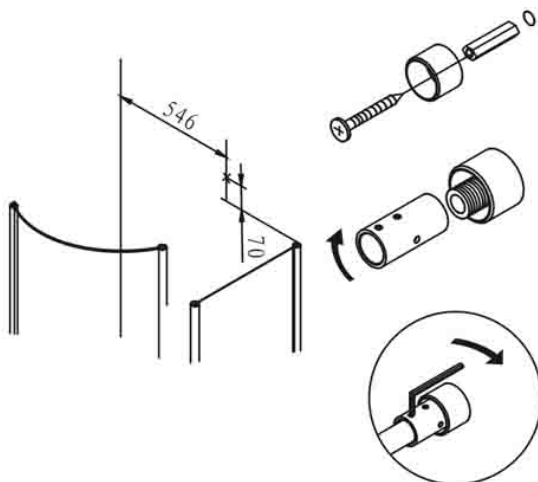
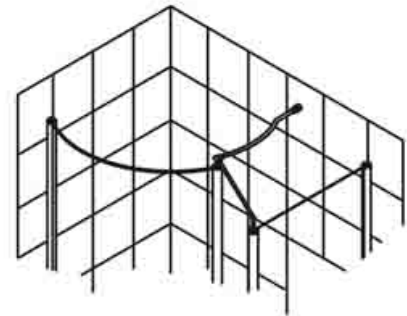
(2) Install the fixed glass

- 1 according to the drawing inset both glasses to the slot of the wall profiles. Be sure to place them vertically
- 2 Now fix them using the screws.



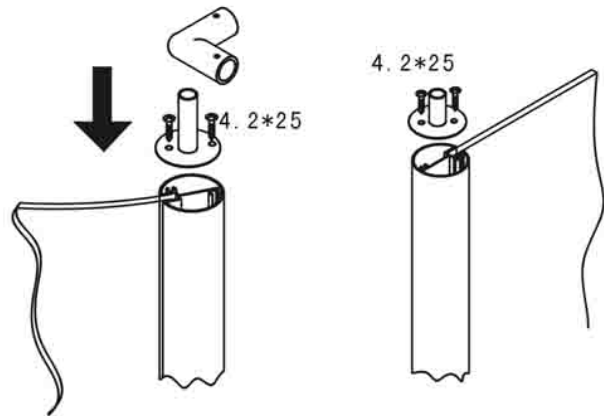
(3) Install top rail

- 1 according the drawing, drill the holes into the wall. Now place the connector (13,14) on the wall.



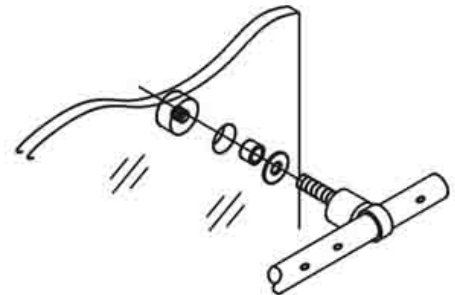
2 Place the long connector (2) on top of the side column of the door glass. Put the short one (3) on on top of the side column of the flat glass.

Use screws (18) to fix them.



(4) Install the towel bar

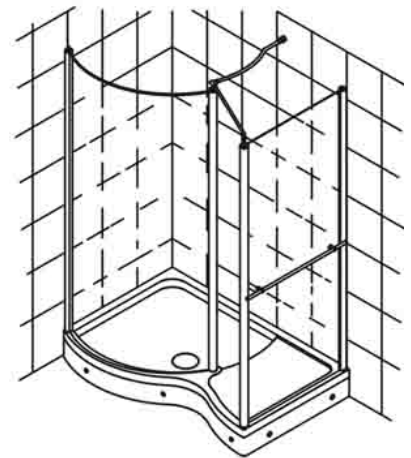
According to the drawing, install the towel bar (10) on the glass.



(5) Check

Check the function of the door and the magnetic closure and tighten the screws. After that, seal the cabin with glue at the wall profiles and the bottom track. Ready!

Now enjoy your new shower-cabin by ASEM!



**ASEM INDUSTRIEBERATUNG
UND VERMITTLUNG GmbH**

Mühlenstrasse 121
D-41352 Korschenbroich

Tel.: 02161/9988-0

Fax: 02161/9988-44

info@asem-sanitaer.de

Internet: www.asem-sanitaer.de



plumbworld
Big brands, small prices.

Pdf Supplied By <http://www.plumbworld.co.uk/>