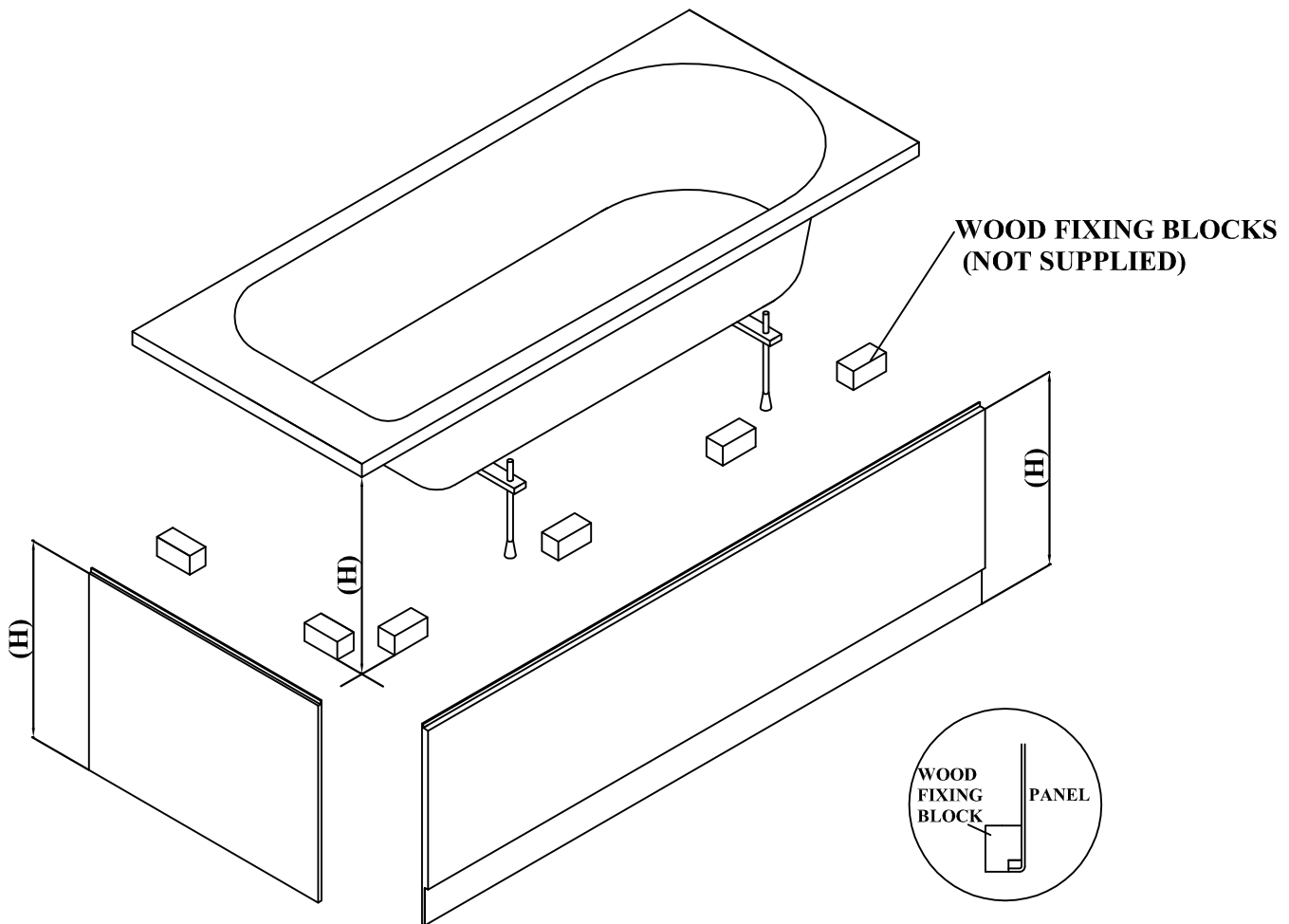


## GENERAL BATH PANEL FIXING INSTRUCTIONS



- 1. FIT THE BATH FEET AS PER THE MANUFACTURERS INSTRUCTION.**
- 2. MEASURE THE HEIGHT OF THE PANEL, THEN SET THE BATH TO THIS HEIGHT BY MEASURING FROM THE UNDERSIDE OF THE BATH RIM TO THE FLOOR (H) AND LEVEL BY USING THE ADJUSTABLE FEET.**
- 3. MAKING SURE THE PANEL IS PLUMB MARK THE POSITION ON THE FLOOR FOR THE WOODEN BLOCKS AND FIX ACCORDINGLY.**
- 4. IF THE PANEL NEEDS SUPPORT AT THE TOP UNDER THE BATH RIM, THEN WOODEN BLOCKS CAN BE FIXED TO THE UNDERSIDE OF THE BATH USING A NO NAILS TYPE CEMENT.**
- 5. ADDITIONAL SUPPORT BATTENS CAN FIXED TO THE WALL SIDE IF REQUIRED.**
- 6. THE PANELS CAN THEN BE SECURED TO THE FIXING BLOCKS BY USING MIRROR SCREWS OR VELCRO.**

**plumbworld**  
**Big brands, small prices.**

Pdf Supplied By <http://www.plumbworld.co.uk/>