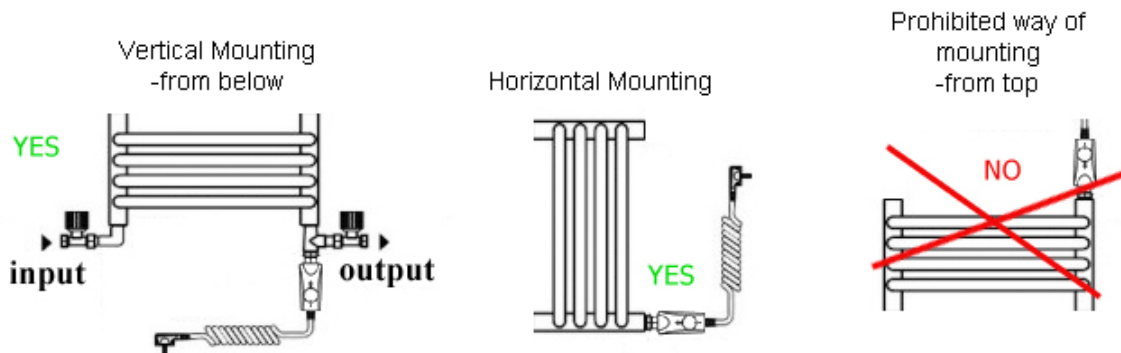


Installation Instructions – Dual Fuel

1. The heater should be screwed into the radiator connection using a teflon covered S 27 spanner to protect the chromium surfaces.

The special conical gasket fitted to the 1/2" connection of the heater enables the heater to be screwed into the radiator until the control box faces forward. "T"-piece is fitted with a "Go Stop" self jointing gasket.

2. After installing the heater the radiator should be filled completely with water, fully purged of air, and checked for any leaks. At this point the heater may be hard wired to the electrical system in compliance with UK electrical regulations.
3. The heater is switched on by turning the control knob clock wise, and the LED on the casing will light up. The star shaped position on the control knob is for frost protection (approx. 10°C). The range of temperature regulation is from 20°C to 70°C. The heater is turned off by turning the control knob as far as possible anticlockwise.
4. Maintenance:
The heater **MUST BE DISCONNECTED** before cleaning the casing. The casing may be cleaned using a soft cleaning agent on a damp cloth. **AVOID SOAKING THE CASING.**



NOTICE:

1. The tubular heating element **MUST** be fully immersed in water or water/glycol mixture, to comply with the guarantee conditions, and to ensure long life of the product.
2. Bathroom radiators fitted with electric heaters should be fixed not less than 60cm from a bath, shower or wash basin, and never above a bath.
3. Heaters/Elements should be installed by a qualified person.
4. One radiator valve must always be open when the heater is in use (dual fuel systems only).
5. The flow valve should be opened when the heater is not in use.
6. In case of operational failure or damage to the electricity supply cable the heater should be disconnected and returned to the supplier.

plumbworld
Big brands, small prices.

Pdf Supplied By <http://www.plumbworld.co.uk/>