



---

**EL100 & 150HT DC Axial Fans for Kitchens,  
Bathroom and Toilets**

---



**Greenwood Air Management Ltd**

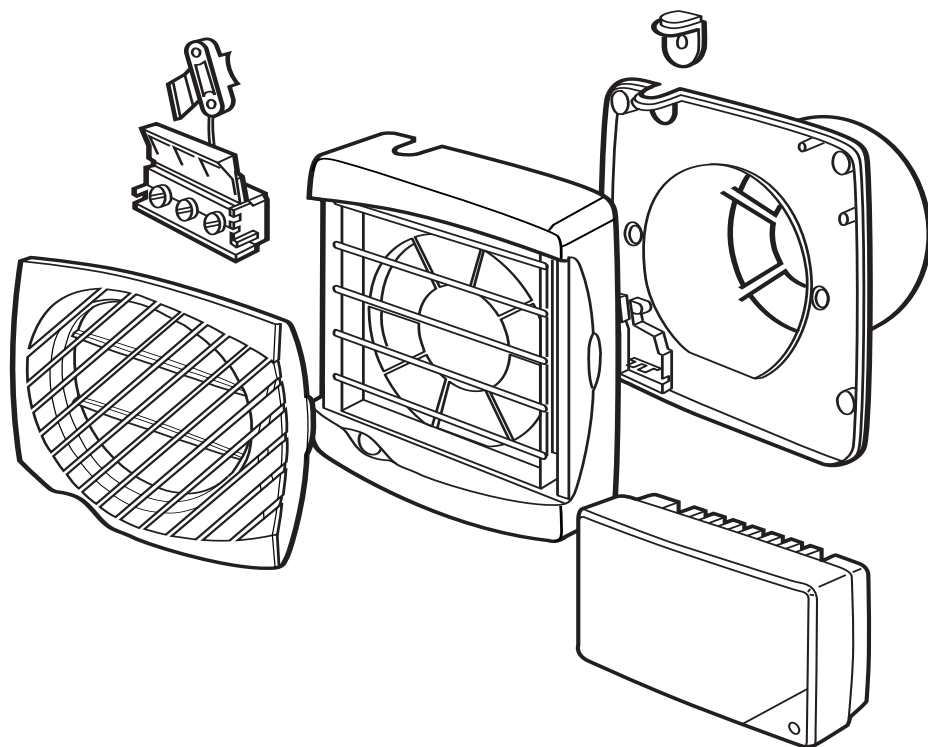
Brookside Industrial Estate

Rustington, West Sussex BN16 3LH

Tel: 01903 771021. Fax: 01903 782398

Email: [info@greenwood.co.uk](mailto:info@greenwood.co.uk)

Internet: <http://www.marley.co.uk/green.html>



## Read all instructions before commencing installations

### NOTES:

- Where an open-flued oil or gas- fuelled appliance is installed in the kitchen, extract ventilation can cause the spillage of flue gases. Care must be taken to ensure ventilation is reduced as appropriate, as set out in the building regulations. The guide to the regulations suggests that the reduced provision should be an extract rate of 20 l/s (72 m<sup>3</sup>/h). Kitchens with solid-fuel appliances should not have extract fans fitted.
- The fans should not be sited where it would be subject to a direct source of heat in excess of 40°C.
- A clearance of 75 mm to be allowed on both sides of fan for the removal of the internal grille.

## Operation

The Airvac Elite range of fans are multi speed 24V DC units offering varying extract levels up to and exceeding Building Regulation requirements for kitchens, bathrooms and toilets.

Available as HT operating version only.

### TYPE 'HT'

#### Control Inputs

Pull Cord – when operated units runs at high speed. A second operation switches fan to automatic control.

Switched Live – when operated units runs at high speed. When removed unit returns to automatic control.

Humidity Level – unit detects humidity level and fan runs when humidity level is above preset level.

#### On board Controls

Unit is fitted with an overrun timer facility, this is factory preset to time for optimum energy efficiency. The time can be increased to allow unit to run for a period after humidity level has dropped below preset level.

#### Overrun Timer

Only operates on automatic/humidity control.

## To clean or service fan

- Remove grille: Lever off at side using coin or screwdriver.
- Undo screws (exposed by removal of grille), and pull the fan away from its back plate.

The fan may now be cleaned using a brush or damp cloth. DO NOT IMMERSE IN WATER.

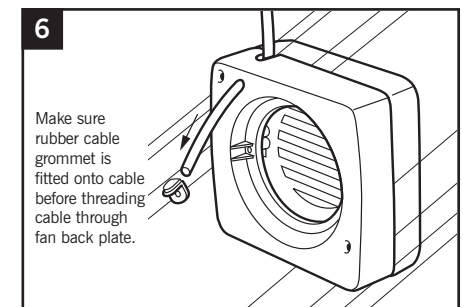
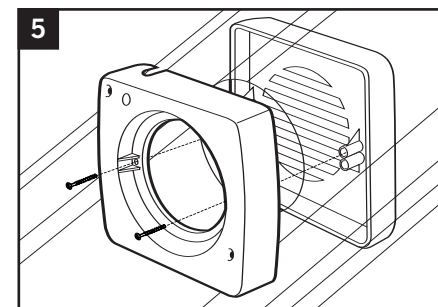
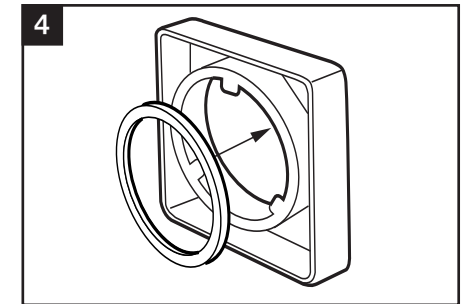
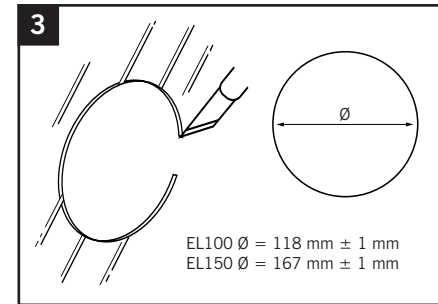
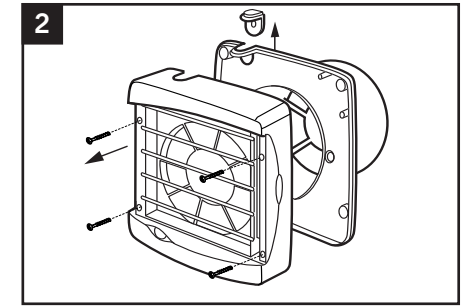
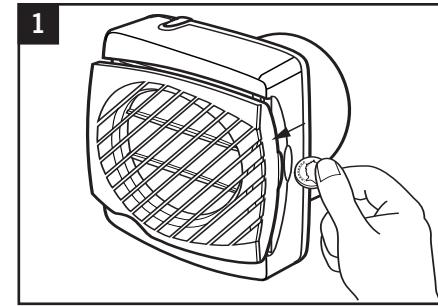
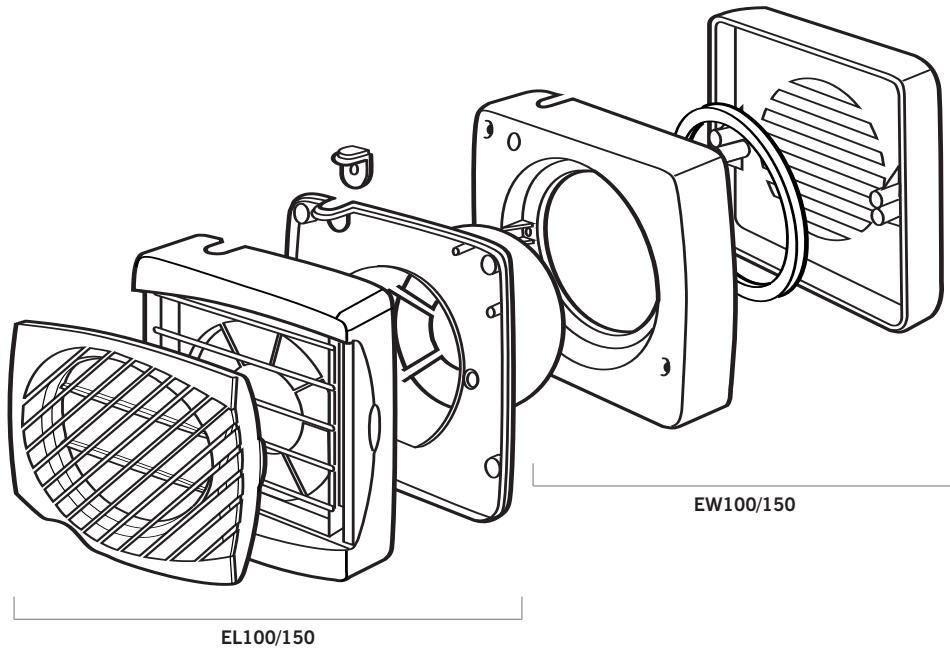
**WARNING: On no account should the interior of the fan be cleaned until the unit has been removed from its back plate or isolated from the mains.**

---

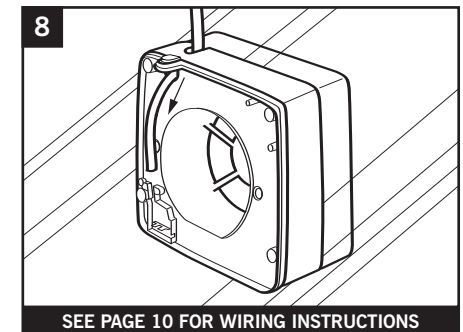
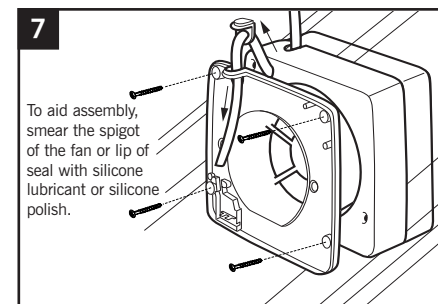
● See Sensor / Timer Adjustments section for further details.

- The Airvac Elite range of fans are fitted with electrical operated anti-backdraught shutters which have a time delay to open or close.

# Window Mounting

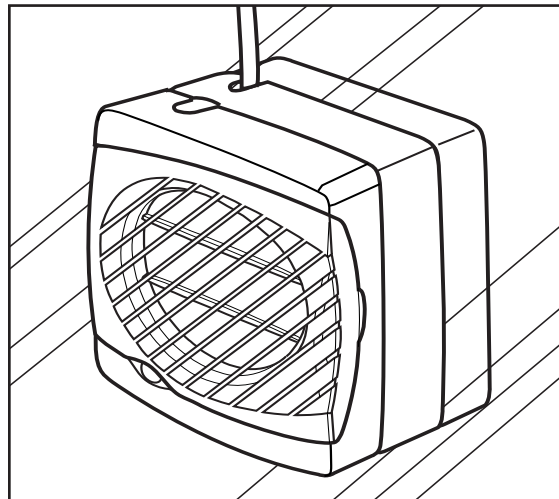


25 mm long screws – Single glazing  
 38 mm long screws – 20 mm & 24 mm double glazing  
 50 mm long screws – 28 mm double glazing

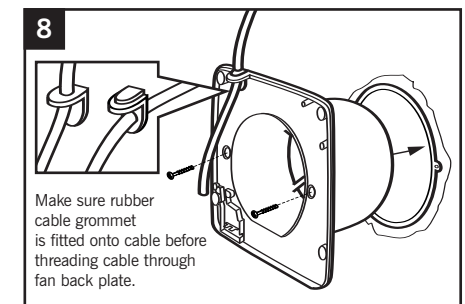
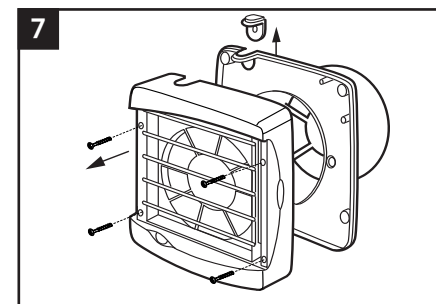
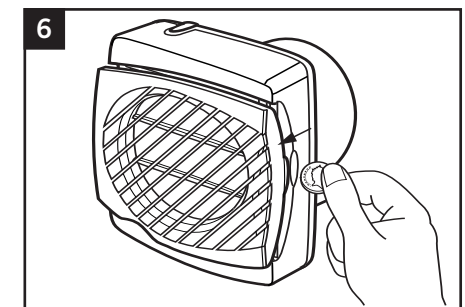
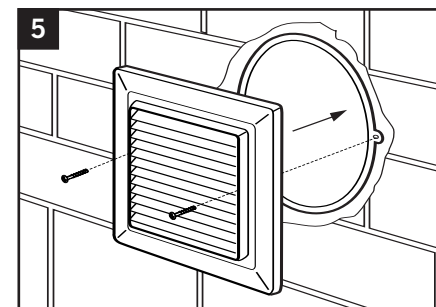
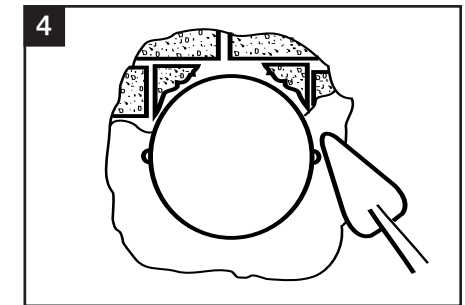
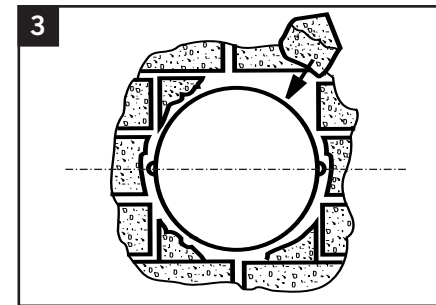
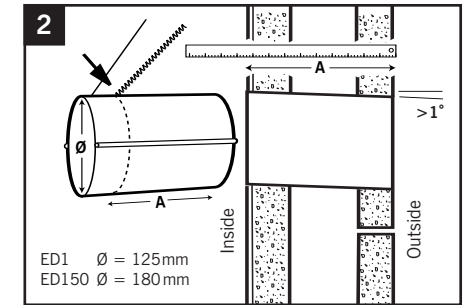
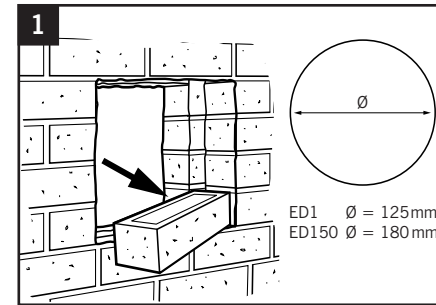
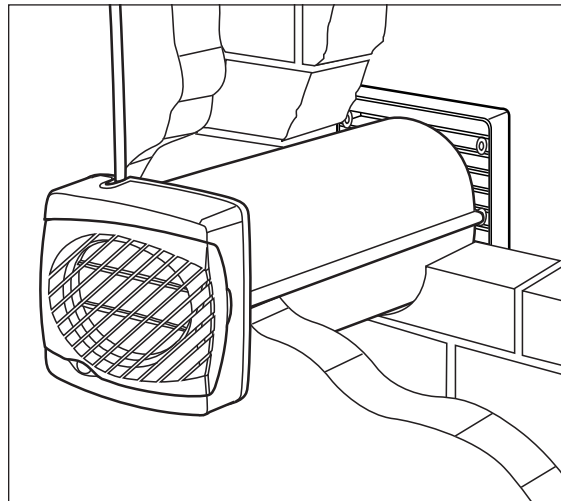
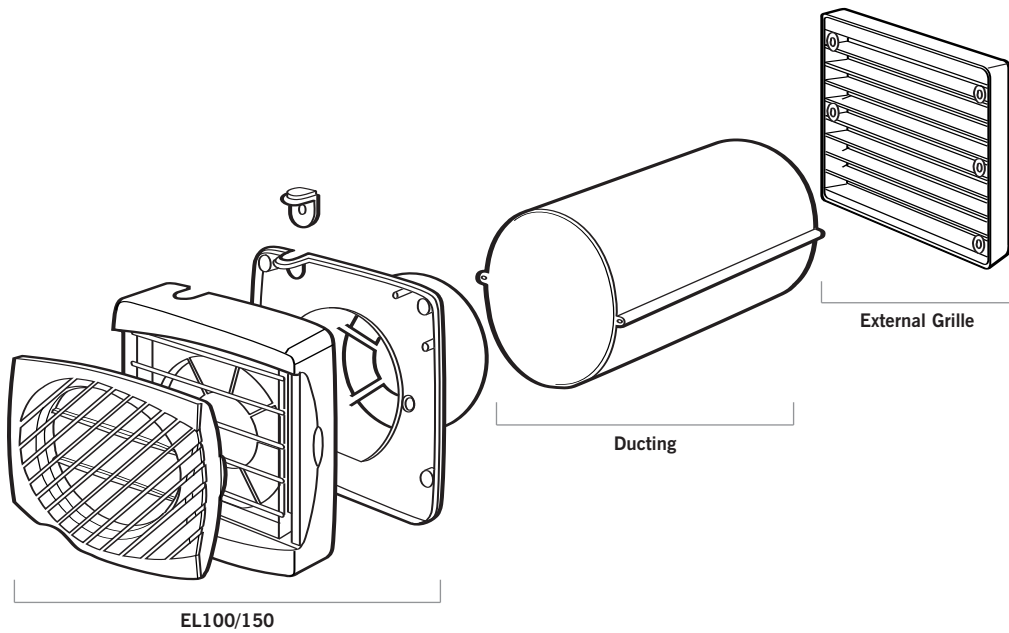


SEE PAGE 10 FOR WIRING INSTRUCTIONS

- For window mounting do not install fans in opening windows. Use the correct thickness of glass for the size of window (at least 4 mm thick) if in doubt, contact a glazier.
- The components supplied are suitable for the installation of fans in windows from 4 mm single glaze to 28 mm thick double-glazing.

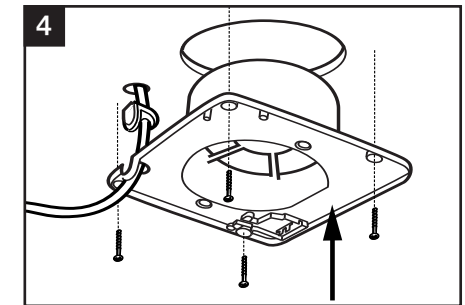
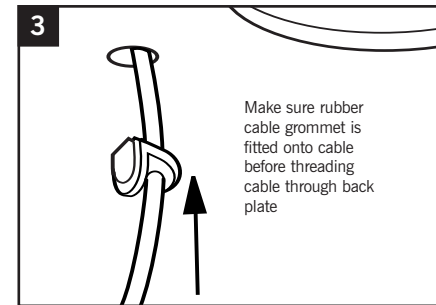
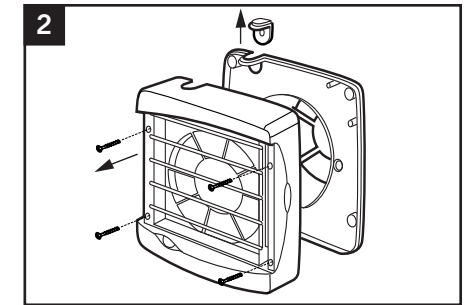
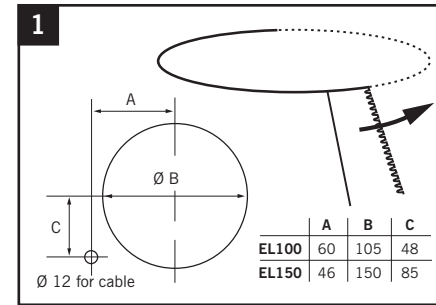
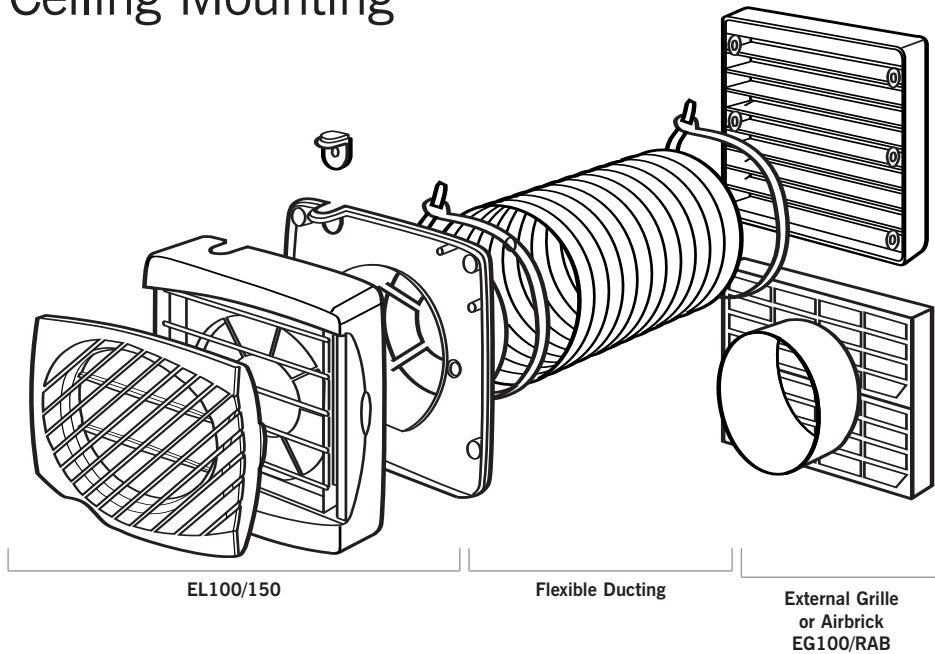


# Wall Mounting

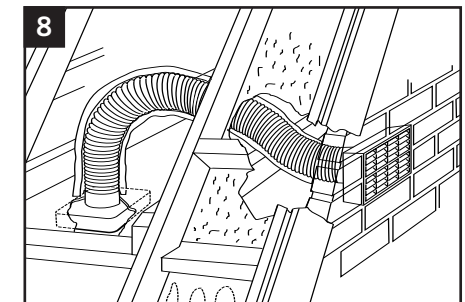
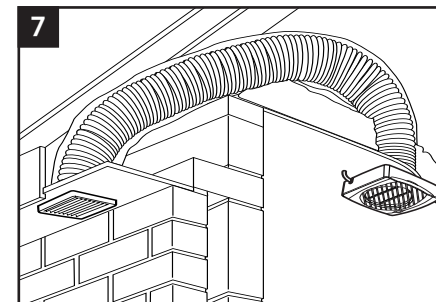
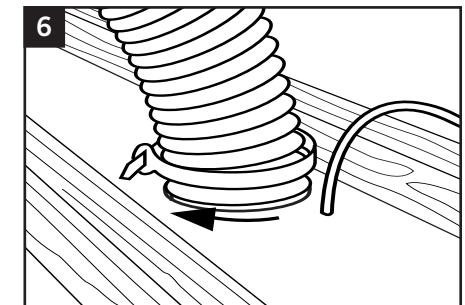
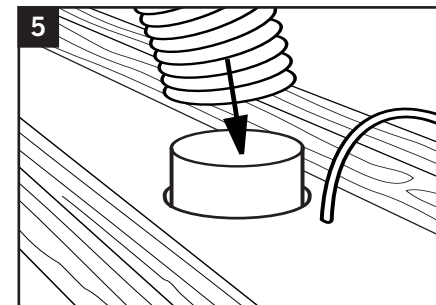
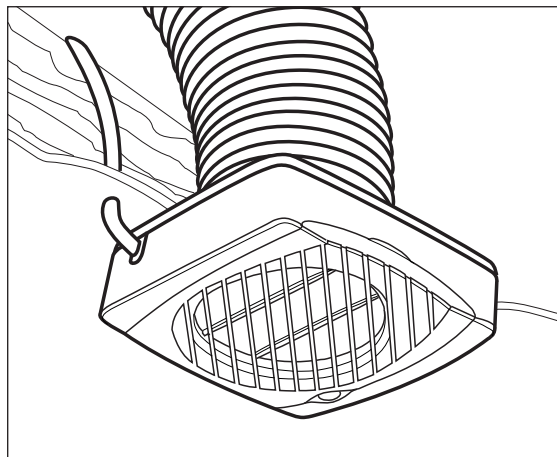


SEE PAGE 10 FOR WIRING INSTRUCTIONS

# Ceiling Mounting



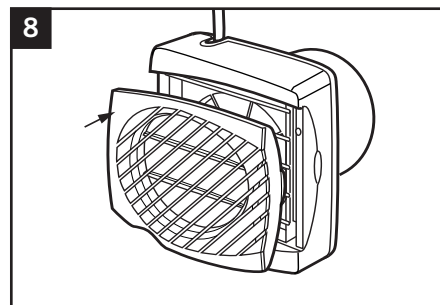
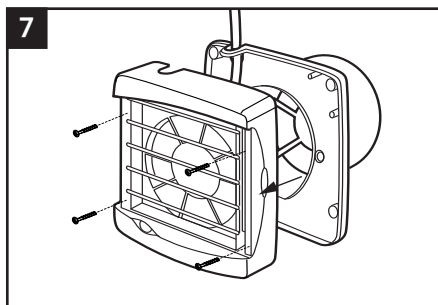
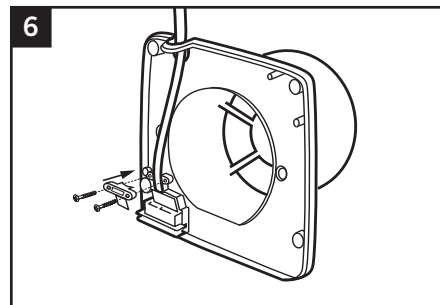
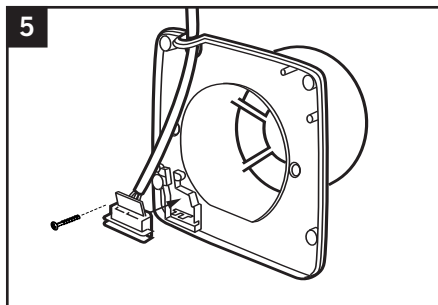
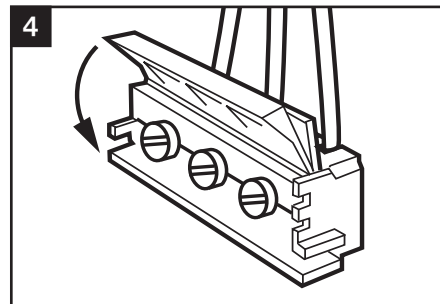
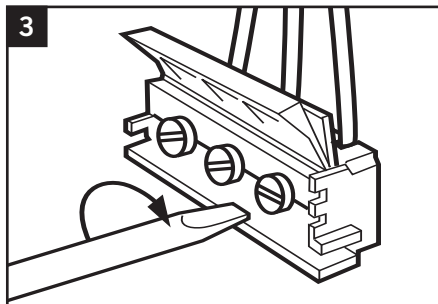
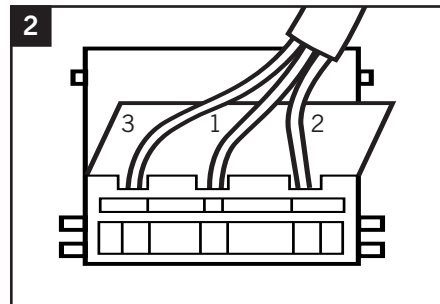
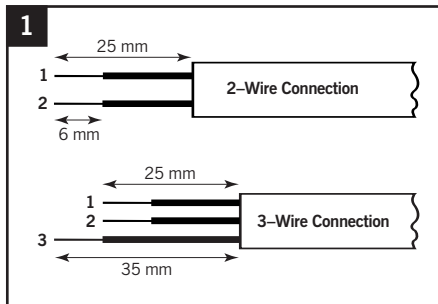
- Cut an opening through the ceiling for the fan and electrical cable.
- Feed cable through ceiling then through back face of rubber sealing grommet in fan back plate. Screw back plate to ceiling using No. 6 screws.
- Fit duct (max length 2.5 m) and external grille/ baffle for soffit or wall application, making sure duct has a slight fall to exterior.



SEE PAGE 10 FOR WIRING INSTRUCTIONS



## Wiring Details for Fan Isolator Only



## Wiring Diagrams

The electrical connections must be carried out by a qualified electrical engineer in accordance with IEE or local regulations.

**WARNING: Isolate electricity supply before starting work.**

The fans are double insulated and do not require an earth connection.

### SVI-DC CONTROLLER

A double pole isolating switch with a minimum contact gap of 3 mm should be used in series with each fan.

For single units use 3 amp fuse.

When supplied from a 5 amp lighting circuit no local fuse is required.

### TO WIRE THE CONTROLLER:

Remove the electrical cover.

Make all connections to connector blocks.

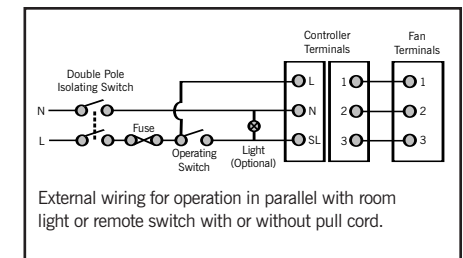
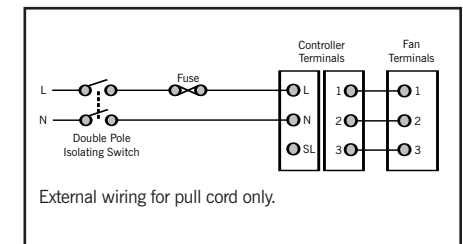
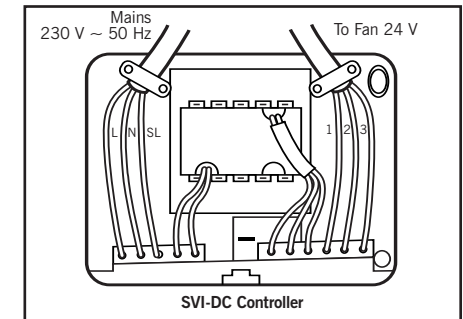
### NOTE:

Mains cable must be fixed back to the wall using appropriate cable cleats.

Replace electrical cover.

### NOTE:

Do not fit more than one fan to the controller or connect with any other product. This equipment must be sited away from direct water spray and heat in excess of 40°C the controller must not be sited within reach of a person using a bath or shower, nor within a shower cubicle / enclosure.



Specification: 230V ~ 50Hz.

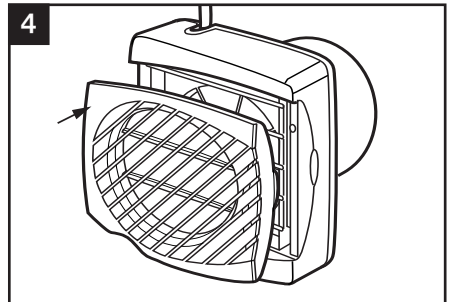
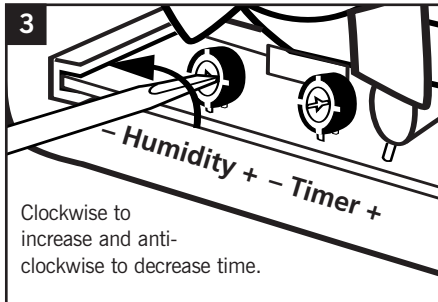
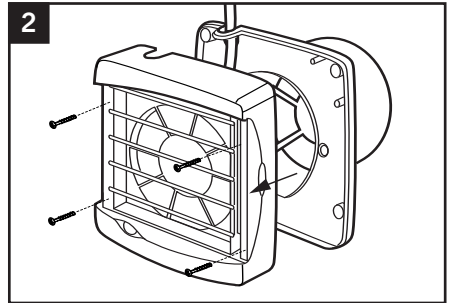
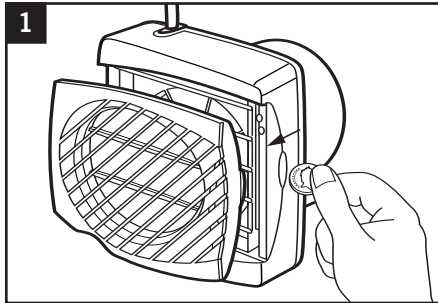
Refer to fan rating label for watts consumption.

Mains Cable Sizes: 2 or 3 core.  
0.75 mm<sup>2</sup> and 1.00 mm<sup>2</sup> flexible only.

Maximum cable length between fan and controller:

Conductor Size	Maximum Length
0.75 mm <sup>2</sup>	2.3 m
1.00 mm <sup>2</sup>	3.0 m

# Sensor / Timer Adjustments

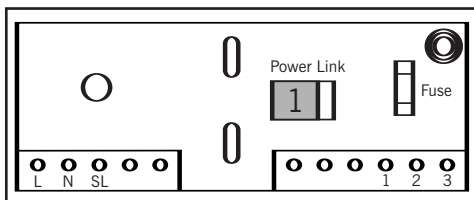


## Timer Adjustments

- Minimum time
- + Maximum time

## Humidity Adjustments

- Minimum sensitivity, unit turns on at a higher rate
- + Maximum sensitivity, unit turns on at a lower rate



Top view Controller PCB

## PSU Set Up

The output voltage of the PSU can be adjusted to provide varying levels of power consumption and extract performance.

With the power link in position 2, (number 2 visible) then the unit runs at low power low performance rate.

With the power link in position 1, (number 1 visible) then the unit runs at a higher rate of extract performance with the consequence of increased power consumption.

Maximum Extract Rate for Power Link Settings

Model No.	Link Setting	Max Extract m <sup>3</sup> /h
EL100HTDC	1	110
EL100HTDC	2	94
EL150HTDC	1	250
EL150HTDC	2	215

**plumbworld**  
**Big brands, small prices.**

Pdf Supplied By <http://www.plumbworld.co.uk/>