



CROWN WATER HEATERS LTD

Suite 206 Sunbeam Studios

Sunbeam Street

Wolverhampton WV2 4PF

TEL: 01902 310678

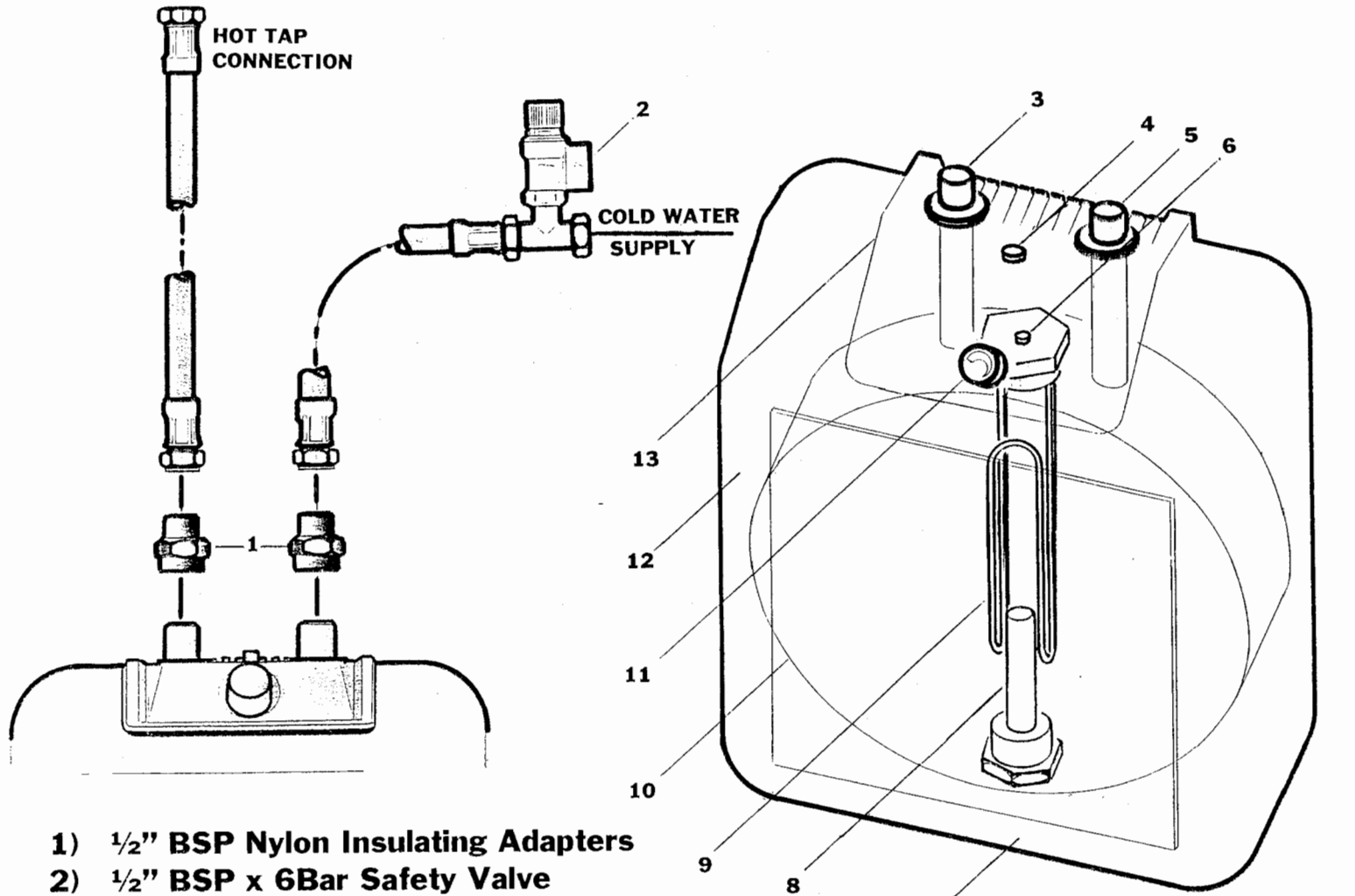


**RAPID SERIES
UNVENTED WATER HEATERS
TYPES ERS 210 / 215 (Under Sink)
ER 210 / 215 (Over Sink)**

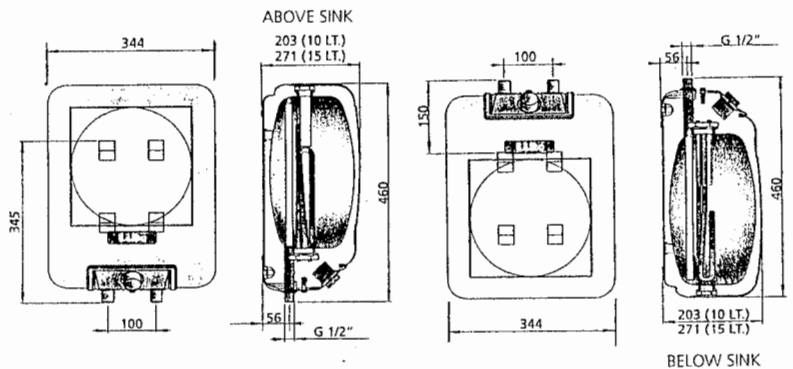
INSTALLATION AND USER INSTRUCTIONS

(To be left with user after installation)

**NB: THE ILLUSTRATION SHOWS THE CONNECTIONS
FOR ERS (UNDER BASIN) UNITS ONLY**



- 1) 1/2" BSP Nylon Insulating Adapters
- 2) 1/2" BSP x 6Bar Safety Valve
- 3) 1/2" BSP Hot Water Outlet (Red)
- 4) Neon Indicator Light
- 5) 1/2" BSP Cold Water Inlet (Blue)
- 6) High Limit Reset Button
- 7) High Impact Resistant Casing
- 8) Magnesium Anode
- 9) 2kw Immersion Heater and Th stat
- 10) Welded Steel, Glass Lined Vessel
- 11) Adjustable Thermostat
- 12) Pre-formed Rigid Section Insulation
- 13) Removable Access Cover



BELOW SINK

INSTALLATION AND USER INSTRUCTIONS FOR:-

ERS 210	10 Litre 2kw Under Sink Electric Water Heater
ERS 215	15 Litre 2kw Under Sink Electric Water Heater
ER 210	10 Litre 2kw Over Sink Electric Water Heater
ER 215	15 Litre 2kw Over Sink Electric Water Heater

General:

The 'Rapid' range is an unvented heater designed for direct connection to the mains water supply and can serve one or more outlets using ordinary taps.

It is strongly recommended that these heaters are fitted by an experienced installer familiar with unvented heaters.

Fixing:

Heaters can only be fitted in the vertical position, Under Sink (ERS units) with connections at the top and Over Sink (ER units) with connections at the bottom.

UNITS ARE NOT INTERCHANGEABLE.

A wall mounting bracket is supplied. Under Sink units can be free standing, if desired.

Plumbing Connections:

Installation must be in accordance with Water Regulations.

The Hot and Cold connections are 1/2" BSP and are colour coded (Blue = Cold, Red = Hot).

NB The Hot (Red) connection will **ALWAYS** be on the left hand side.

Use PTFE tape on threads and fibre/synthetic washers to ensure a watertight seal.

The Rapid Water Heater is supplied with a free-issue 6Bar Safety Valve which **MUST BE FITTED**. The safety valve discharge must be run to a safe and visible place in accordance with Water Supply Regulations.

Dependent upon circumstance, some accessories may be required, as shown on the Installation Diagram, which can be purchased separately.

Please remember that mains water pressure can increase considerably at night or weekends during low demand.

Electrical Connection:

Installation should comply with the latest IEE Regulations.

Connection should be to a fused 13 amp spur. If the cable length is insufficient, it is recommended that the entire cable is replaced and no joins made to the original.

THE HEATER MUST BE EARTHED

IMPORTANT: Do not switch the heater on unless you are certain it is completely full of water

Operation:

Switch on the mains supply. The external neon lamp indicates when the element is heating. The adjustable thermostat has a range of 20 – 70°C.

In the event of the element overheating, a Safety Cut-Out Switch (High Limit Reset Button) switches off the electricity supply.

To access the the High Limit Reset Button (or Cut-Out), gently prise off the Adjustable Thermostat Knob and unscrew the grey Access Cover Plate. The cut-out is identified by a red button and is located in the centre of the top of the Immersion Heater. To reset the heater, depress the red button.

IMPORTANT: Do not switch heater on if you suspect it is frozen.

Guarantee:

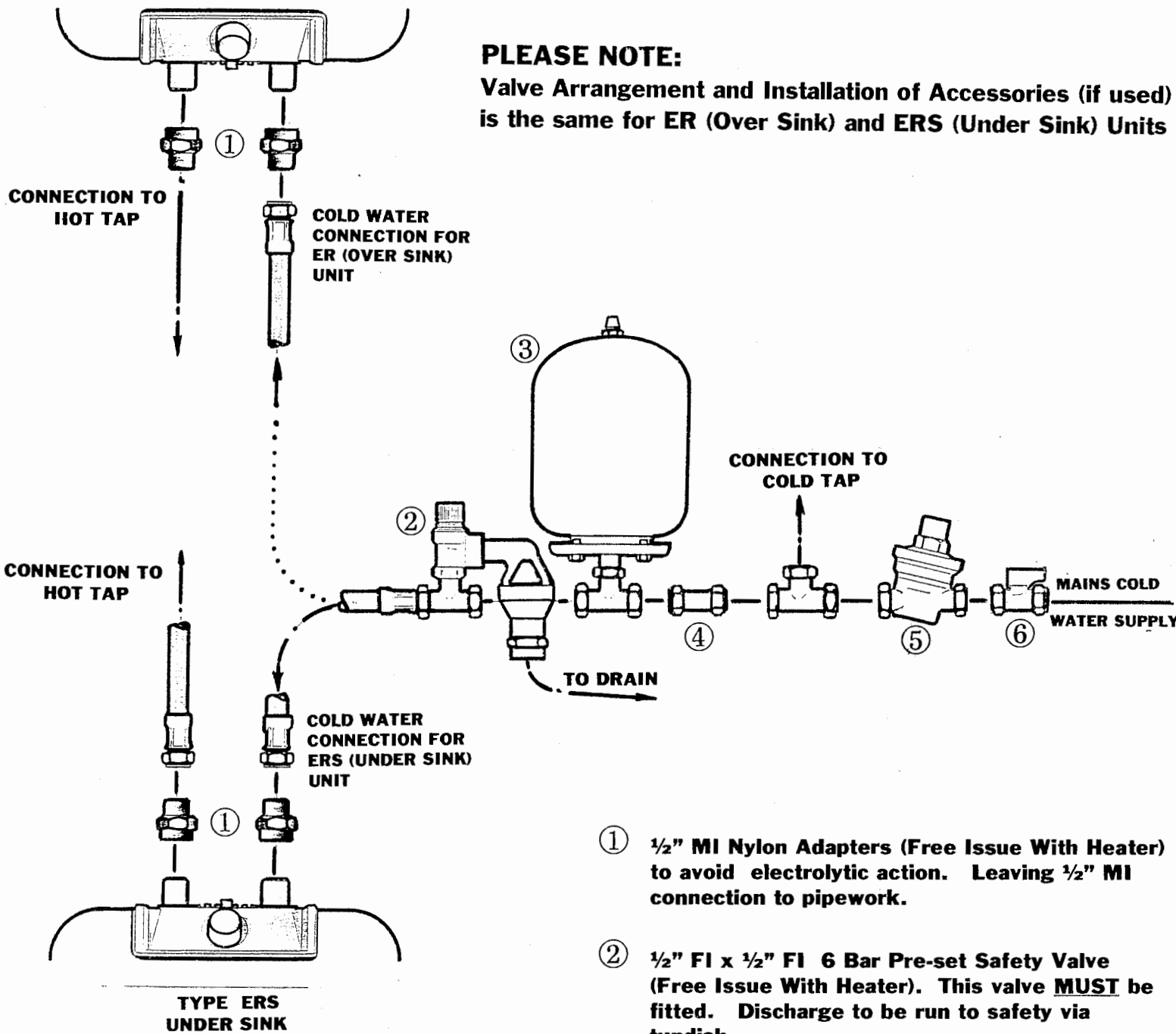
The glass lined vessel is guaranteed for 2 years, all other components are guaranteed for 1 year. Crown Water Heaters reserve the right to replace/repair faulty components.

Incorrect installation or the consequences of limescale deposits will negate this guarantee.

Crown Water Heaters are not liable for any consequential losses.

**TYPE ER
OVER SINK**

PLEASE NOTE:
Valve Arrangement and Installation of Accessories (if used) is the same for ER (Over Sink) and ERS (Under Sink) Units



**TYPE ERS
UNDER SINK**

**IMPORTANT
HEATERS MUST BE INSTALLED
THE RIGHT WAY UP**

Type ER - Over Sink
Connections at the bottom of the unit

Type ERS - Under Sink
Connections at the top of the unit

As an additional check that the unit is installed the right way up, the Hot Flow Pipe is ALWAYS on the LEFT HAND SIDE

- ① 1/2" MI Nylon Adapters (Free Issue With Heater) to avoid electrolytic action. Leaving 1/2" MI connection to pipework.
- ② 1/2" FI x 1/2" FI 6 Bar Pre-set Safety Valve (Free Issue With Heater). This valve **MUST** be fitted. Discharge to be run to safety via tundish.
- ③ 2 Litre x 1/2" MI Expansion Vessel (if required) to be installed with non-return valve (item ④) if Stop Cock or next draw-off point is within 2.8m of heater for 10 Litre Units or 4.2m for 15 Litre Units (based on 15mm Pipework).
- ④ 15mm Compression Non Return Valve (supplied with vessel item ③).
- ⑤ 15mm Compression Pressure Reducing Valve Pre-set to 3 Bar) to be installed if main pressure exceeds 5 1/2 Bar.
- ⑥ Service Valve.