

Front and End Bath Panels Generic Fixing Instructions

Materials Required:

(No.6 x 25mm) Woodscrews

Various lengths 38 x 25mm treated softwood battening

Tools Required:

Crosshead Screwdriver, Pencil, Bradawl, Tape Measure, Drill & Bits, Jigsaw/saw

WARNING

Before fixing the batten to the floor, check for hidden power cables and pipes. Take care using power tools, especially near water. The use of a residual current device (RCD) is recommended.

Front and End Panel Assembly & Preparation

- Measure from the floor to the underside of the bath rim and attach the plinth using screws provided to the back of the bottom of the panel to match this height. (Fig 1, Fig 2)
- It may be necessary to trim the panels to fit around skirting boards or pipes; if so finish the cut surfaces with two or more coats of varnish to seal them from moisture.
- If panel length needs to be reduced ensure the panel is cut at the wall end. Again treat with varnish.

Front Panel Installation

- Once the panel has been correctly sized, screw a softwood batten (not supplied) 25 x 38mm x length of panel, to the floor, inset from the outside edge of the bath Fig 2. located so that the panel will be vertical.
- Tuck the top of the panel under the rim of the bath and check for alignment, if not aligned adjust as necessary.
- Remove the panel and drill three evenly spaced holes along the length of the plinth, 12mm up from the bottom edge. See Fig 3
- Refit panel and secure to the batten with No.6 x 25mm woodscrews. (Not included).

End Panel Installation

- Assemble side panel as described above.
- Tuck the end panel under the rim to check for alignment.
- Remove the panel and drill two holes 12mm from the bottom edge of the plinth. Secure end panel to front panel with velcro strips provided and secure end panel to wood batten using No. 6 x 25mm wood screws. See Fig 3.

Care Instructions

- To clean the panel, use a soft damp cloth and a mild soap solution.

Fig 1.

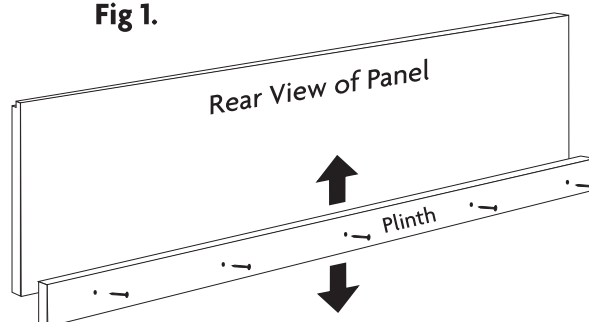


Fig 2.

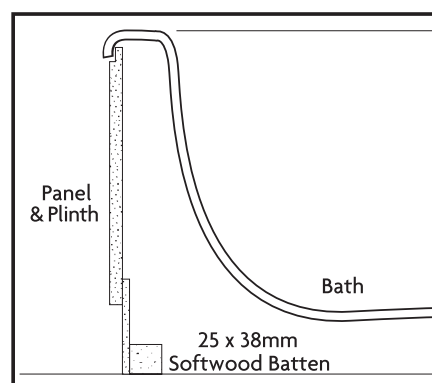


Fig 3.

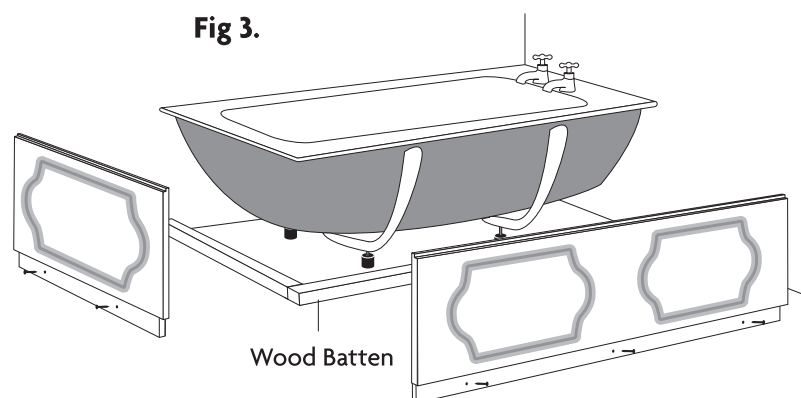
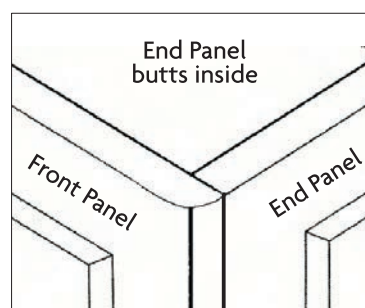


Fig 4.



plumbworld
Big brands, small prices.

Pdf Supplied By <http://www.plumbworld.co.uk/>