

Aquavalve 700® Thermo

Thermostatic brass bodied shower valve

Exposed or built-in valves available

Multi-directional swivel inlet elbows supplied with exposed models.
Wall plate supplied with built-in models

Integral anti-scale mechanisms

Integral safety features

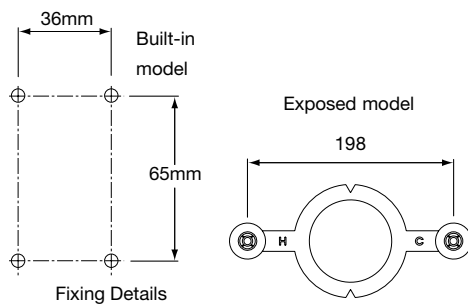
Compatible with virtually all approved UK domestic water systems

3 year comprehensive manufacturer's guarantee

Fixing data

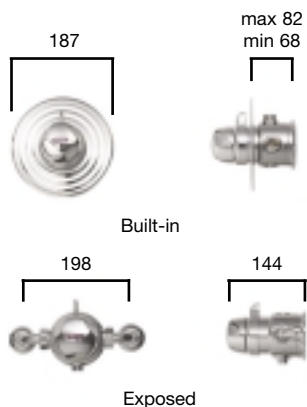
Inlets	Exposed: 15mm swivel elbow connectors, 198mm centres. Built-in: 3/4" BSP male bosses (elbows not supplied). Cold right/hot left when viewed from front.
Outlets	Exposed: 1/2" BSP male boss. Built-in: 3/4" BSP male boss. May be re-sited at top of valve if required.
Pressures	0.1 bar minimum (1 metre head). 10 bar maximum (100 metre head).

Siting



'Easy fix' template supplied (exposed model only).

Dimensions (mm)



Installation

Refer to installation guide.

Accessories

Adjustable or fixed height Varispray 3 spray pattern shower kit.
Adjustable or fixed height Turbostream 3 function shower kit (dependent on water pressure).
Aquajets and diverter (dependent on water pressure).

Booster pump options

Aquaforce 1 bar.
Aquaforce 1.5 bar.
Aquaforce 2 bar.
Aquaforce 3 bar.

Spare parts

Refer to pages 48 and 49 or spare parts guide.

Water system compatibility



Colour options



Product codes

700.51.01	Exposed	Chrome
700.51.04	Exposed	Gold
700.50.01	Built-in	Chrome
700.50.04	Built-in	Gold

plumbworld
Big brands, small prices.

Pdf Supplied By <http://www.plumbworld.co.uk/>