

**Ideal Standard**

The Bathroom Works  
National Avenue  
Kingston Upon Hull  
HU5 4HS  
T 01482 346461  
F 01482 445886

[www.ideal-standard.co.uk](http://www.ideal-standard.co.uk)

**Ideal Standard**

M50 Business Park  
Ballymount  
Dublin 12

T 00353 1 4564525  
F 00353 1 4564505

[www.idealstandard.ie](http://www.idealstandard.ie)



[www.ideal-standard.co.uk](http://www.ideal-standard.co.uk)



**Ideal Standard**  
First baths



# body & mind

At Ideal Standard, we believe that creativity is the catalyst for continuous evolution in your bathroom. As Europe's leading brand, we aim to create a living space that reflects your life and your priorities... an environment that is blissfully easy to maintain and that expresses our three guiding principles: design, functionality and innovation. Ideal Standard is the realisation of personalised well-being; a fusion of ideas and materials to create a place where body and mind are immersed in renewed pleasure, day after day. Discover the new ground-breaking solutions that capture your desires.

First is our ingenious new collection of baths that have a lower step-in height (only 48cm) whilst utilising the same amount of water for your ultimate comfort. Designed for living and built to last, they are a simple, stylish solution that will revolutionise the way you bathe. Introducing First... one small step for you, one giant leap for bathroom design.





**+** Contemporary in feel and available in five sizes, First integrates perfectly into any decorative scheme and size of room, creating a harmonious and comfortable bathing environment.

## design

Get into First, Ideal Standard's range of low height baths designed to be easily accessible for everyone, particularly children and the elderly, whilst not compromising on the amount of bathing water. Make bathtime a moment of pure relaxation. It's so easy to get in – and so comfortable to use you won't want to get out.

# First for comfort





## First for design

First uses breakthrough technology to increase levels of comfort, design and ease of use that makes bathing the ultimate pleasure. By concealing the overflow the innovative Ideal Waste System produces a range of unique baths with clean uninterrupted lines. Combined with a super-slim waste outlet, cleaning is a breeze.



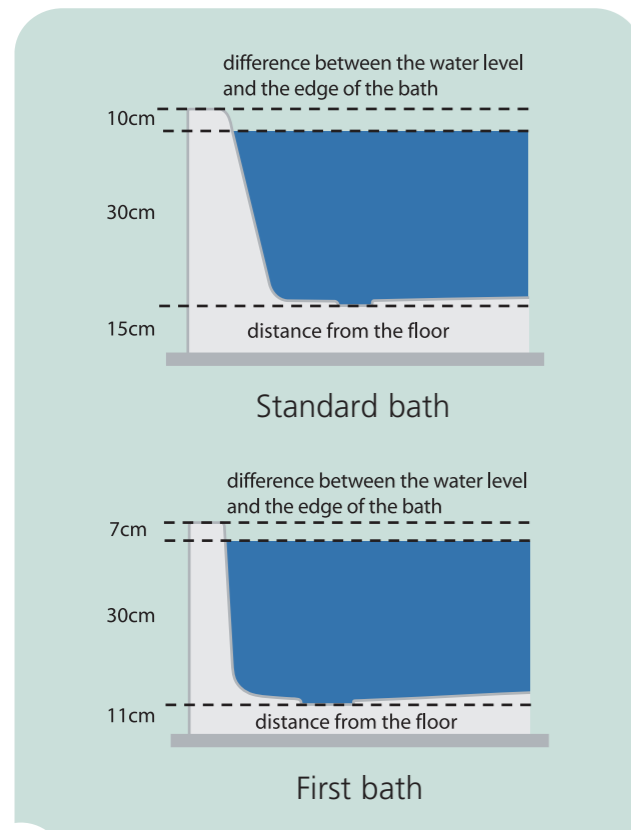
Concealed by an ergonomic flat cover, the waste is operated by a control conveniently positioned on the rim of the bath.

## functionality



# First for ingenuity

How can a lower-sided bath hold the same amount of water as a traditional one of the same dimensions? The solution to this technological riddle is the Ideal Waste System, a state-of-the-art plumbing system that features a special, low waste outlet and reduces the space underneath the bath. First's primary aim is to take bathtime pleasure to a new level.



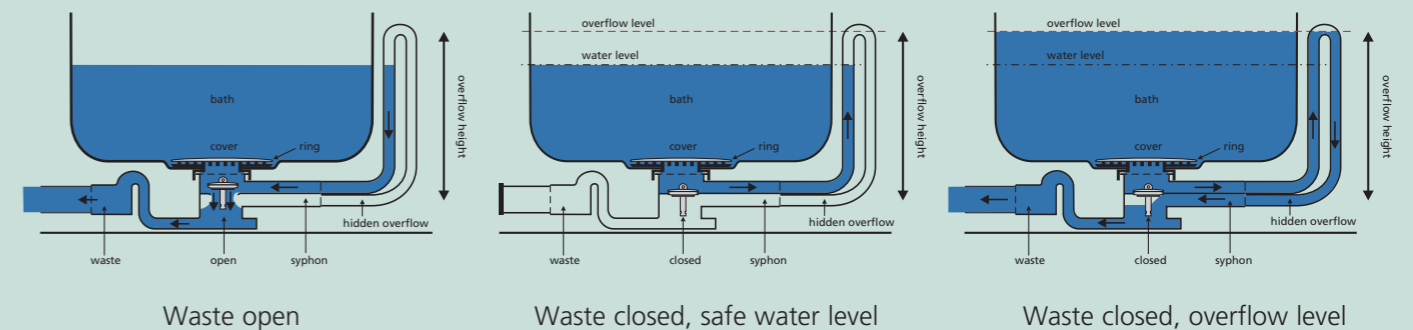
## How it works

The patented Ideal Waste System from Ideal Standard is a combined hidden overflow, waste and plug system, controlled by a simple open/close control on the edge of the bath. Instead of a traditional overflow hole, hidden behind the bath is a twin pipe overflow that is connected direct to the waste.

When you fill the bath with water - one side of the overflow pipe fills - exactly to the same level as the bath. If you overflow the bath - the water in one side of the overflow pipe will filter up and over the bend down the other side of the overflow pipe, directly into the waste system.

## Hidden overflow system

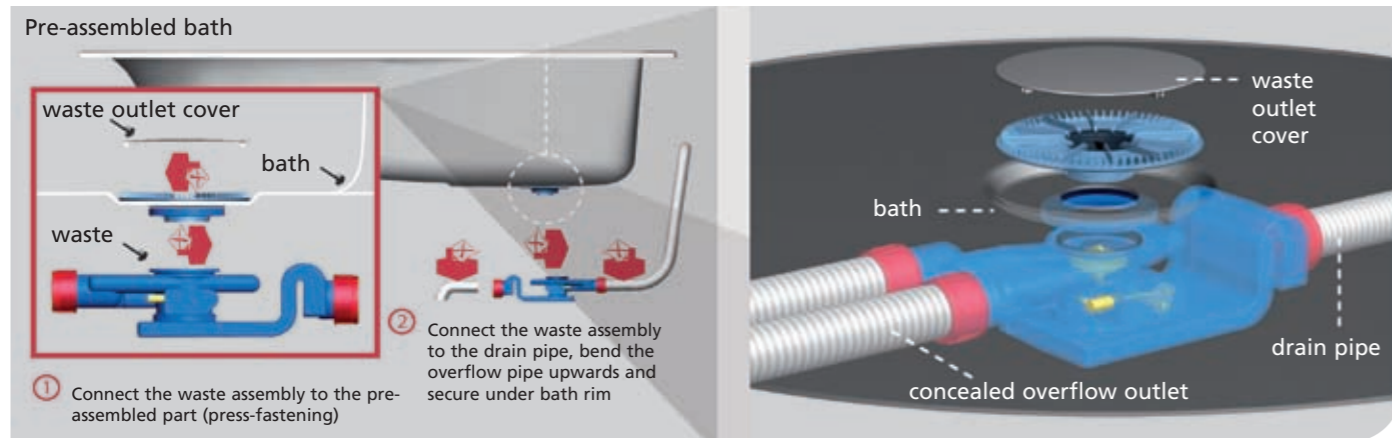
The Ideal Waste System is based on the scientific principle of equal water levels in communicating vessels. The height of the bath is lower, but the water depth remains the same.



**+** First features a special, low waste outlet that reduces the space underneath the bath allowing for the height to be set at 48cm.

**innovation**

# First for installation



First baths are also revolutionary when it comes to installation. The pre-assembled bath requires only the most basic plumbing tools to fit and takes only a matter of minutes to install.

# First for details



**Accessibility**  
First stands just 48cm high, which makes getting in and out easier for everyone.

**Flat waste/overflow outlet cover**  
This stylish, streamlined cover can be easily opened for cleaning purposes.



**Concealed overflow outlet**  
Our innovative design eliminates the need for a visible overflow outlet.



**Waste outlet open/close control**  
Conveniently situated on the rim of the bath rather than inside it, this opens and closes the waste outlet.



# Technical information

**First 150 x 70**  
E879101 150 x 70cm bath  
E879701 150cm front panel  
E880501 70cm end panel



**First 160 x 70 bath**  
E879201 160 x 70cm bath  
E879801 160cm front panel  
E880501 70cm end panel



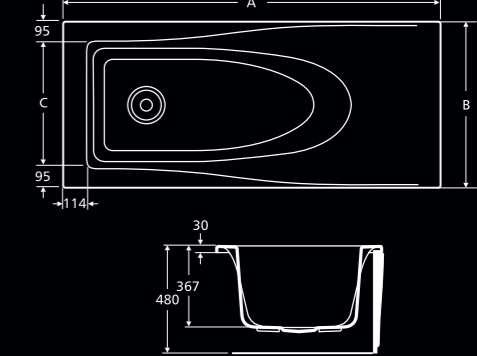
**First 170 x 70 bath**  
E879401 170 x 70cm bath  
E879901 170cm front panel  
E880501 70cm end panel



**First 170 x 75 bath**  
E879501 170 x 75cm bath  
E879901 170cm front panel  
E880601 75cm end panel



**First 180 x 80 bath**  
E879601 180 x 80cm bath  
E880401 180cm front panel  
E880701 80cm end panel



	A	B	C
First 1800 x 800 bath	1795(+5-10)	795(±5)	606
First 1700 x 750 bath	1695(+5-10)	745(±5)	556
First 1700 x 700 bath	1695(+5-10)	695(±5)	506
First 1600 x 700 bath	1595(+5-10)	695(±5)	506
First 1500 x 700 bath	1495(+5-10)	695(±5)	506

## Décor and Accessories Used

**180 x 80 Bath page 2/3**  
Paint: Dulux Vinyl Matt Summer Surprise 2  
Dulux Vinyl Matt Maraschino Mocha 2  
Tiles: Floor: Black polished marble tile 300 x 300  
Wall: Pilkingtons Series Nieve Mosaics  
Props: Habitat, Bodyshop and M & S

**160 x 70 Bath page 4/5**  
Paint: Dulux Vinyl Matt Chalky Downs 3  
Floor: Niro Stone Tiles 400 x 400 Pilkingtons  
Props: Molton Brown, Heals, Salts Mill and M & S

**170 x 70 Bath page 6/7**  
Paint: Dulux Vinyl Matt Quartz Flint 2  
Walls: Harlequin Wallpaper – Contour/Virtue 60645  
Glass panels 750 x 900  
Floor: White polished marble 300 x 300 Pilkingtons  
Props: IKEA and M & S

**Taps and fittings**  
A wide range of elegant Ideal Standard taps and mixers are compatible with First Baths. Before selecting your bath filler please consult your dealer.



**Guarantee**  
Our confidence in the quality and reliability of Ideal Standard products enables us to guarantee all First baths for 25 years and the working components for 5 years from date of purchase. The guarantee does not cover general wear and tear. Our guarantee is offered on all products that have been used in the manner for which they were intended, and does not apply to any products that have been misused or abused in any way. Products must be installed and cared for in line with our fixing instructions and local water byelaws. The guarantee covers products in domestic use by the consumer and not commercial or business use.

In the unlikely event the product fails within the guarantee period, we offer a free replacement or replacement part (or nearest equivalent). Liability is limited to individual products and does not cover consequential loss or damage on installations. When your bathroom has been satisfactorily installed and is working well, please ensure you register your guarantee. The guarantee is transferable - it applies to the product not the purchaser provided guarantee registration details are passed on to the new owner. You can register for guarantees on a bathroom bought on your behalf by a plumber or builder.

Applies to UK and Republic of Ireland only. This guarantee does not affect your statutory rights.

Ideal Standard pursues a policy of continuing improvement in design and performance of its products. The right is therefore reserved to vary specifications without notice. Colour reproduction is as accurate as possible within the limitations of the printing process. Ideal Standard (UK) Ltd. P1178 07/08.