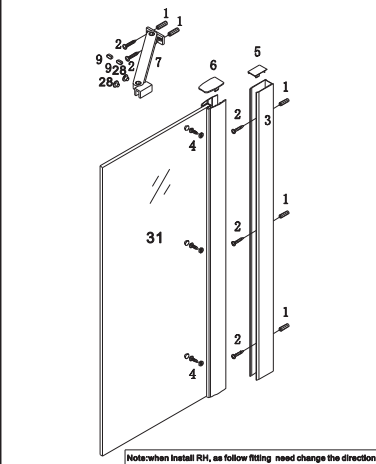
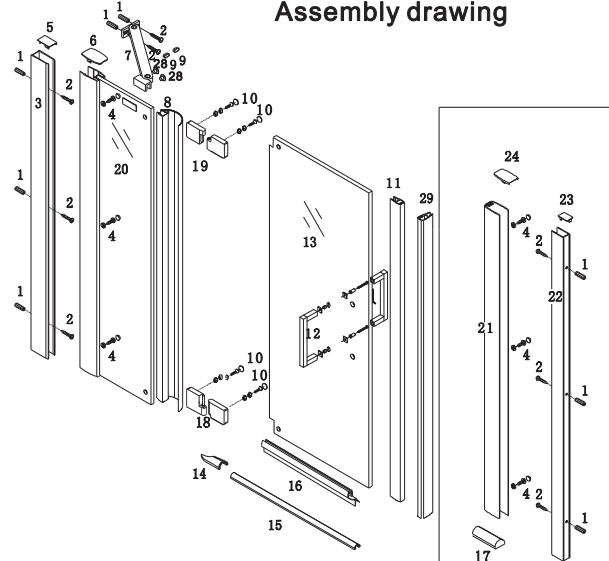


# INSTALLTION MANUAL

Assembly drawing

Assembly drawing



Remove these fitting, use HSP76, HSP80, HSP90 instead to install a rectangle shower enclosure

Note: when install RH, as follow fitting need change the direction

1 8Pcs	2 ST4X30 8Pcs	3 1Pc	4 ST4X12 6Pcs	17 R 1Pc	18 R 1Pc	19 R 1Pc
5 1Pc	6 1Pc	7 1Pc	8 1Pc	9 2Pcs	30 R 1Pc	1 5Pcs
10 4Pcs	11 1Pc	12 1Pc	13 1Pc	14 L 1Pc	3 1Pc	2 ST4X30 5Pcs
15 1Pc	16 L 1Pc	17 L 1Pc	18 L 1Pc	19 L 1Pc	4 ST4X12 3Pcs	5 1Pc
20 1Pc	21 1Pc	22 1Pc	23 1Pc	24 1Pc	6 1Pc	7 1Pc
25 5mm 1Pc	26 4mm 1Pc	27 2.5mm 1Pc	28 2Pcs	29 1Pc	7 1Pc	9 2Pcs
					30 L 1Pc	31 1Pc

1

**TOOLS**

**1**

**2**

**III**

**IV**

**V**

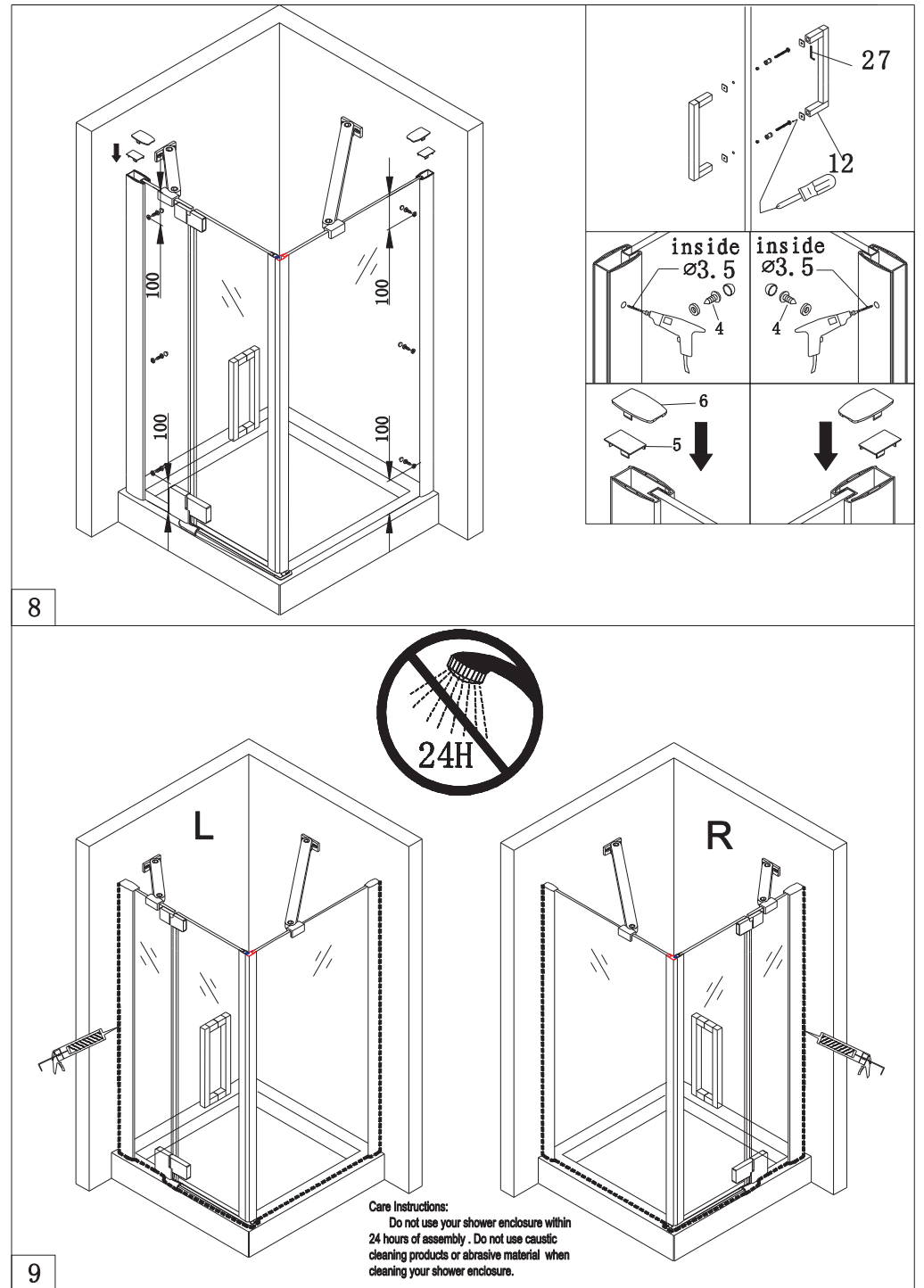
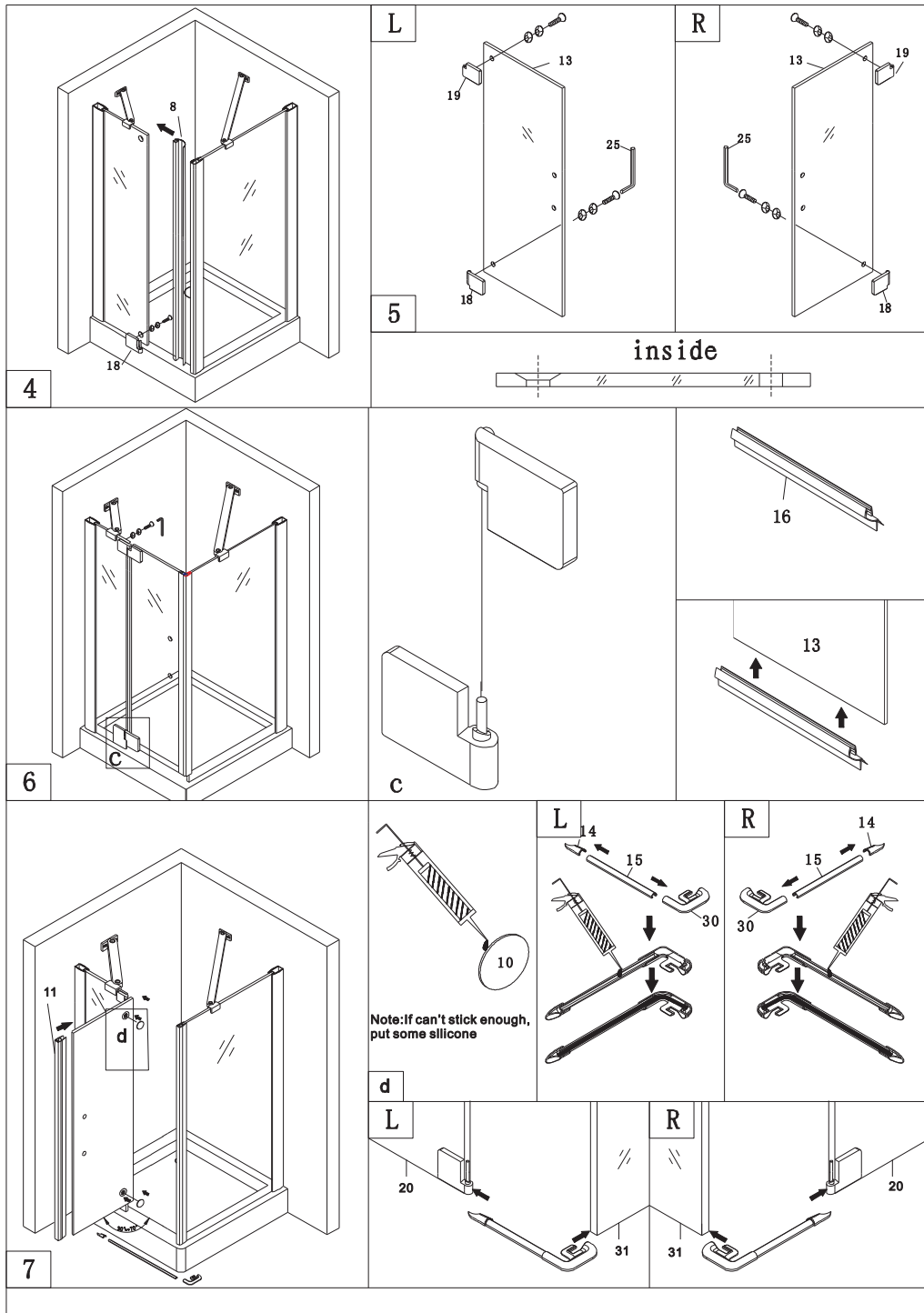
**VI**

**VII**

**3**

The seal left 2 mm space to the bottom for put NO 29

2



**plumbworld**  
**Big brands, small prices.**

Pdf Supplied By <http://www.plumbworld.co.uk/>